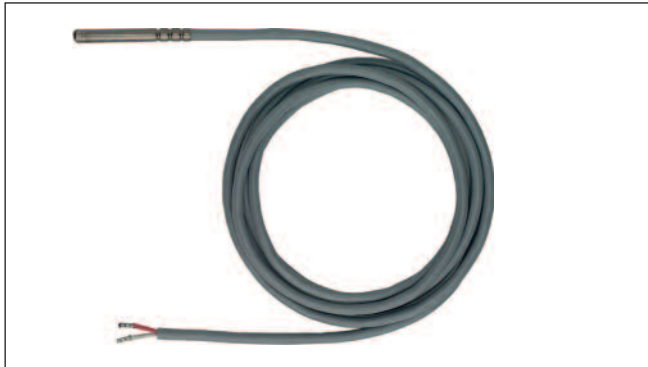


# Temperature Sensors Class A & B Type Pt 100



- Sensor type Pt 100
- Acid proof Stainless Steel housing (ANSI316), cylindrical
- Diameter: Ø 6 mm
- Cable connection
- Use screw-in pipe type RFL for measuring temperature of liquids
- IP 67
- Shield connected to tube

## Type selection

Measuring object	Dimensions	Cable-type	Cable-type	Temperature range	Ordering No.	Sensor class	Cable type
Air	A	a	3 m	-50°C to +160°C	<b>PT100160-6-3M</b>	Class B	a: Silicone cable, 4-core
Liquid*	B	d	2 m	-40°C to +180°C	<b>PT100180-4-2M</b>	Class B	b: Teflon cable, 2-core
Liquid*	B	d	5 m	-40°C to +180°C	<b>PT100180-4-5M</b>	Class B	c: Steel armoured cable, 2-core
Liquid*	B	d	7 m	-40°C to +180°C	<b>PT100180-4-7M</b>	Class B	d: Silicone cable, 2-core
Liquid*	B	d	10 m	-40°C to +180°C	<b>PT100180-4-10M</b>	Class B	e: Shielded silicone cable, 2-core
Liquid*	D	e	10 m	-40°C to +180°C	<b>PT100180-4-10M-S-150</b>	Class B	f: Shielded silicone cable, 4-core
Liquid*	B	e	10 m	-40°C to +180°C	<b>PT100180-4-10M-S</b>	Class B	g: PUR-cable, 2-core
Liquid*	B	a	3 m	-40°C to +180°C	<b>PT100180-5-3M</b>	Class B	h: PUR-cable, 4-core
Liquid*	B	f	3 m	-40°C to +180°C	<b>PT100180-5-3M-S</b>	Class B	
Liquid*	B	f	3 m	-40°C to +180°C	<b>PT100180-5-3MS-A</b>	Class A	
Liquid*	B	a	5 m	-40°C til +180°C	<b>PT100180-5-5M</b>	Class B	
Liquid*	B	f	5 m	-40°C til +180°C	<b>PT100180-5-5M-SA</b>	Class A	
Liquid*	B	a	7 m	-40°C to +180°C	<b>PT100180-5-7M</b>	Class B	
Liquid*	B	f	7 m	-40°C to +180°C	<b>PT100180-5-7M-SA</b>	Class A	
Liquid*	B	a	10 m	-40°C to +180°C	<b>PT100180-5-10M</b>	Class B	
Liquid*	B	f	10 m	-40°C to +180°C	<b>PT100180-5-10M-S</b>	Class B	
Liquid*	B	b	2 m	-50°C to +250°C	<b>PT100250-3-2M</b>	Class B	
Liquid*	B	c	3 m	-50°C to +300°C	<b>PT100300-2-3M</b>	Class B	

**Cable dimension:**  
Core dimension: 0,25 mm<sup>2</sup>

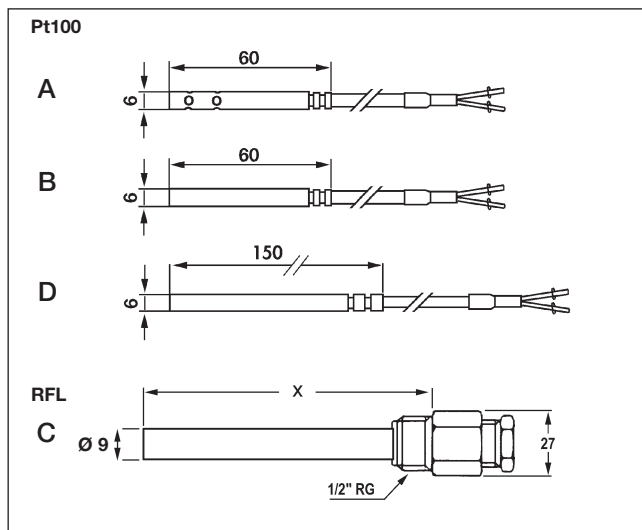
**Colour code, 4-core types**

**Earlier editions**

**Shield:**  
Ending with yellow/green wire

\* The use of screw-in pipe is recommended for measuring liquids

## Dimensions (mm)



## Accessories

### Screw in pipes for plug-in sensors

Materiale: Acid-fast stainless steel (ANSI316)  
 Temperature: Max. 600°C  
 Pressure: Max. 50 ATO  
 Internal diameter: Ø 7 mm

Length (x)	Ordering No.	Dimensions
45 mm	<b>RFL-2-M</b>	C
47 mm	<b>RFL-3-V</b>	C
50 mm	<b>RFL-2-G</b>	C
75 mm	<b>RFL-3-M</b>	C
100 mm	<b>RFL-1-G</b>	C
200 mm	<b>RFL-4-V</b>	C
450 mm	<b>RFL-5-V</b>	C