

Optolink Interface Type G 3491 0090



- Interface between Optolinks and PC
- RS232 to fibre optics converter
- Galvanic isolation 4000 VAC
- For mounting on DIN-rail (EN50022)
- LED-indications for supply
- AC power supply

Product Description

RS232 to fibre optics interface. Enables PC's or PLC's to read and control data on up to 63 Dupline[®] systems which are networked through Optolinks (G 3491 0000).

Ordering Key

G 3491 0090 230

Type: Dupline[®] _____
 Type number _____
 Power supply _____

Type Selection

Supply	Ordering no.
24 VAC	G 3491 0090 024
115 VAC	G 3491 0090 115
230 VAC	G 3491 0090 230

Supply Specifications

Power supply	Overvoltage cat. III (IEC 60664)
Rated operational voltage	
230	230 VAC ± 15% (IEC 60038)
115	115 VAC ± 15% (IEC 60038)
024	24 VAC ± 15% (IEC 60038)
Frequency	45 to 65 Hz
Rated operational power	typ. 3 W
Power dissipation	≤ 4 W
Rated impulse withstand voltage	
230	4 kV
115	2.5 kV
024	800 V
Dielectric voltage Supply RS232C	≥ 4 kVAC (rms)

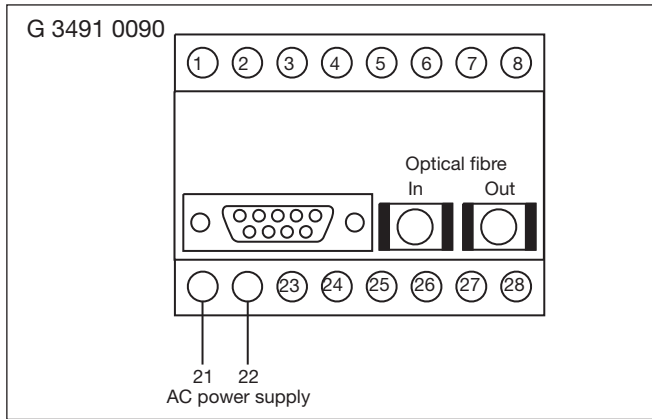
Input/Output Specifications

Fibre optics interface	
Material	Polymer
Type	Step-index
Max. loss	220 dB/km (660 nm)
Typical loss	190 dB/km (660 nm)
Numerical aperture	0.47
Dimensions	2.2 ± 0.1 mm
Cable length	≤ 50 m
Connector type	2 sockets Hewlett Packard types HFBR-4513 (blue) HFBR-4503 (black)
Communication port	
Input RXD	Pin 3
Output TXD	Pin 2
Common ground	Pin 5
Transmission speed	Up to 19200 Baud
Cable length	≤ 15 m

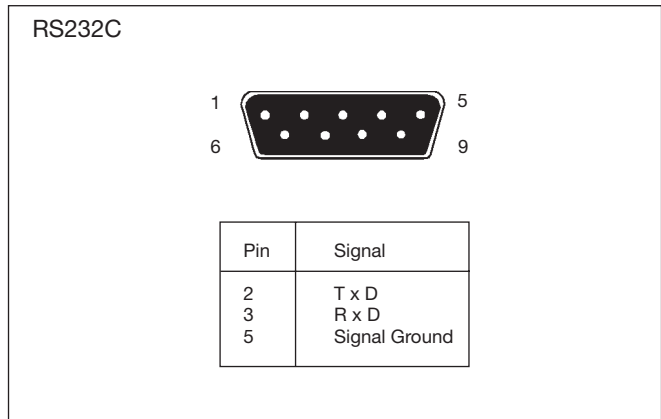
General Specifications

Power ON delay	< 200 ms
Indication for Supply ON	LED, green
Environment	
Degree of protection	IP 20
Pollution degree	3 (IEC 60664)
Operating temperature	0° to +50°C (+32° to +122°F)
Storage temperature	-20° to +85°C (-4° to +185°F)
Humidity (non-condensing)	20 to 80% RH
Mechanical resistance	
Shock	15 G (11 ms)
Vibration	2 G (6 to 55 Hz)
Dimensions	
Material (see "Technical Information")	H4-housing
Weight	275 g

Wiring Diagram

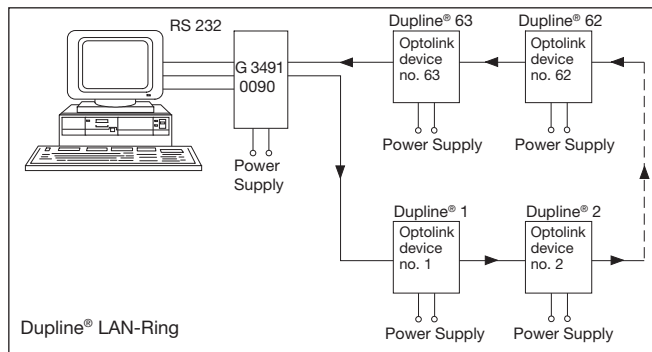


Pin Assignment

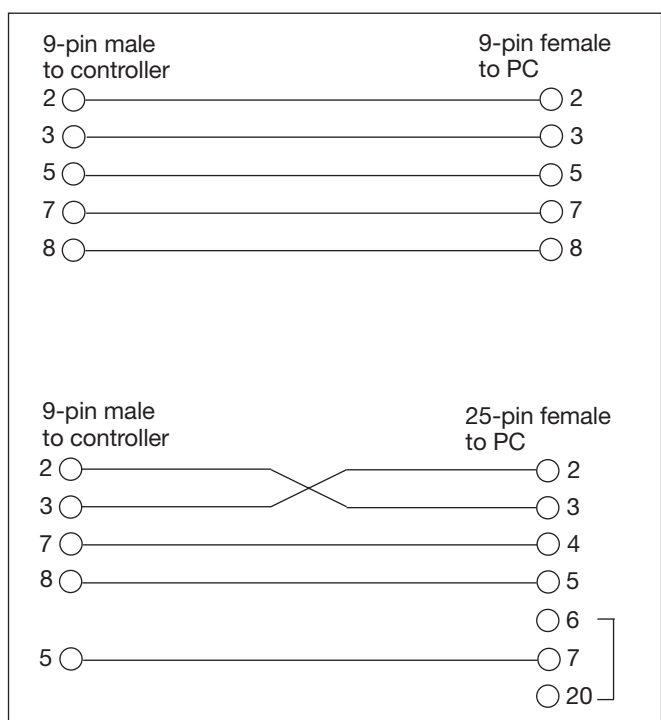


Mode of Operation

The G 3491 0090 is used as interface between computer or PLC with RS232 serial port and a fibre optic LAN-ring consisting of G 3491 0000 optolinks.



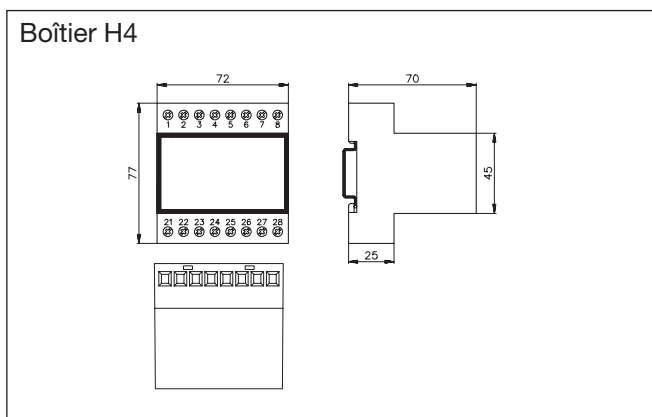
RS 232 Cables



Accessories

- | | |
|---------------------------|--------------------------------------|
| Optical Plugs | HFBR-4513 (black) |
| | HFBR-4503 (black) |
| Fibre Optic Cable, single | Link Fibre-S-X.. (... = length in m) |
| Fibre Optic Cable, dual | Link Fibre-D-X.. (... = length in m) |
| Data brochure | DAT OPL |

Dimensions (mm)



Scope of supply

- | | |
|-------------------------------------|-------------------|
| 1 x RS 232 to fibre optic interface | G 3491 0090 |
| 1 x Optolink | G 3491 0000 |
| 20 cm fibre optic cable | Link Fiber-S |
| 2 x Optical plugs | HFBR-4513 (blue) |
| | HFBR-4503 (black) |