

# SHE5XWLS4xFx



## Wireless flat switches



### Benefits

- **No wires.** Wireless switch for any commercial or residential application.
- **Fast and easy installation.** Can be placed anywhere, no need for drilling.
- **Improved energy saving.** Stand-by mode to reduce battery consumption.
- **Small impact on the wall.** Flat design.
- **Battery level indication.** Red and blue LEDs.
- **Two products in one.** Temperature sensor is integrated, thus providing climate control functions.

### Description

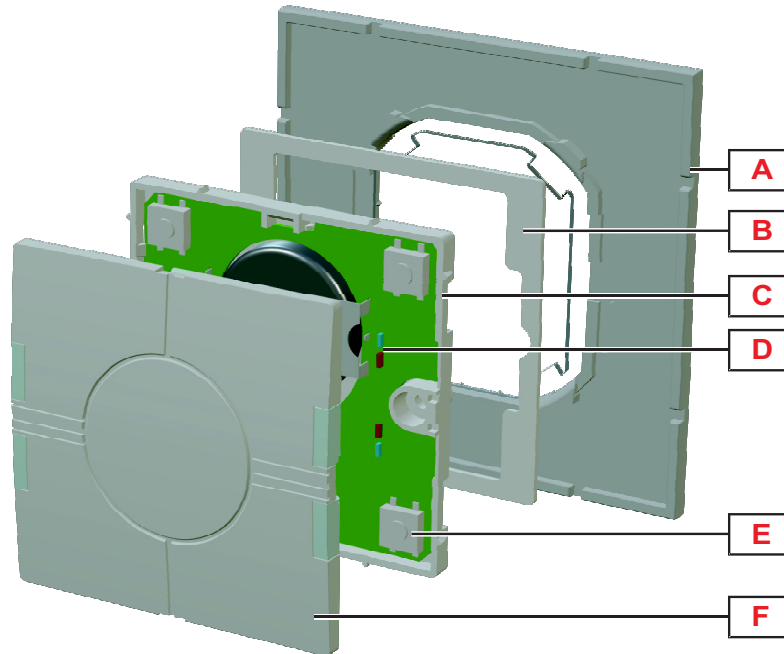
The SHE5XWLS4xxx is a wireless light switch with 4 buttons and 4 LED outputs. It can be mounted with the Elko and Gira frames. This light switch is part of the smart Dupline concept for building automation applications and can be used to control lights, roller blinds and all other functions supported by the smart Dupline controller. It is fully programmable via the Sx tool and must always be coupled to a SH2WBU230N module.

### Applications

Home and building automation.

### Main features

- Wireless transmission based on IEEE 802.15.4, at 2.4GHz.
- Transmission range: 100 m free air.
- Temperature measurement: -10° to +50°C.
- It can be used to control any function in the smart Dupline system.
- Up to 250 SHE5XWLS4xxx can be connected to one SH2WBU230N.


 Structure


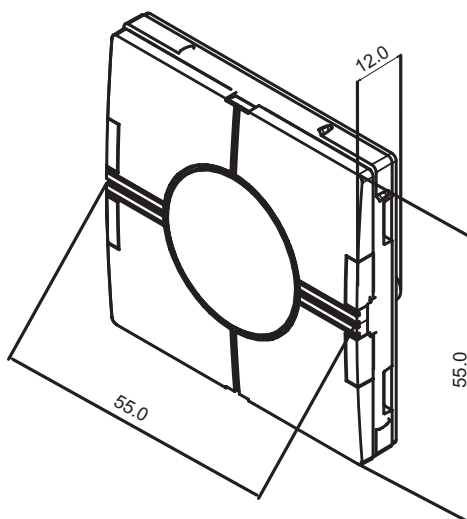
Element	Component	Function
A	Back cover	To be used on glass walls to have a nice aesthetic on the back
B	Spacer	To be used to place the switch board at a proper high
C	Switch board	Electronic keypad
D	Red and blue LEDs	Red LED: if the battery level is good, the red LED is OFF. It flashes when the relevant button is pressed. Blue LED: if the battery level is low, the blue LED is off. It flashes if the battery level is good when the relevant push-button is pressed.
E	Push buttons	Programmable push buttons, short and long activation
F	Front cover	Black and white front covers are available



## Features

### General

<b>Material</b>	Back part: plastic Push button covers: plastic, white or black
<b>Dimensions</b>	55 x 55 x 12 mm (L x H x D)
<b>Weight</b>	50 g
<b>Protection grade</b>	IP20
<b>Pollution degree</b>	3 (IEC 60664)



### Environmental

<b>Operating temperature</b>	-10° to +50°C (+14° to +122°F)
<b>Storage temperature</b>	-20° to +70°C (-4° to +158°F)
<b>Humidity (non-condensing)</b>	20 to 90% RH

### Compatibility and conformity

<b>Electromagnetic compatibility (EMC) - immunity</b>	EN 61000-6-2
<b>Electromagnetic compatibility (EMC) - emissions</b>	EN 61000-6-3
<b>Approvals</b>	<b>CE</b> R&TTE

### Power Supply

<b>Power Supply</b>	By battery, lithium button 2450 3V
---------------------	------------------------------------

 **WiDup specification**

<b>Bus</b>	Wireless Dupline
<b>Frequency</b>	IEEE 802.15.4, @ 2.4 Ghz for Europe, America and China
<b>Diagnostics</b>	1. Field strength 2. Network activities 3. Devices' presence
<b>Network topology</b>	Star with max three wireless repeaters
<b>Antenna</b>	Internal
<b>Transmission power</b>	According to IEEE 802.15.4
<b>Sensitivity</b>	According to IEEE 802.15.4
<b>Number of slave nodes</b>	Up to 250
<b>Transmission range</b>	<100 m in the open air
<b>Addressing</b>	The address assignment is automatic: the controller recognises the module through the SIN (Specific Identification Number) that has to be inserted in the Sx tool.

## References

### Further reading

Information	Document	Where to find it
Sx2WEB installation guide	System manual	<a href="http://www.productselection.net/MANUALS/UK/system_manual.pdf">www.productselection.net/MANUALS/UK/system_manual.pdf</a>
Sx2WEB software manual	Sx tool manual	<a href="http://www.productselection.net/MANUALS/UK/sx_tool_manual.pdf">www.productselection.net/MANUALS/UK/sx_tool_manual.pdf</a>
Sx2WEB wireless installation manual	Wireless manual	<a href="http://www.productselection.net/MANUALS/UK/wireless_manual.pdf">http://www.productselection.net/MANUALS/UK/wireless_manual.pdf</a>

### Order code



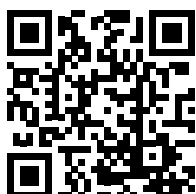
SHE5XWLS4  F

Complete the code entering the corresponding option instead of

Code	Option	Description
SH	-	Smart Dupline
E	-	Eunica
5X	-	Housing 55 x 55 mm
W	-	Wireless
LS4	-	Switch number
<input type="checkbox"/>	W	White
	B	Black
F	-	Flat
<input type="checkbox"/>	-	Without temperature reading
	T	With temperature reading

### CARLO GAVAZZI compatible components

Purpose	Component name/code	Notes
Controller	Sx2WEB24	
Bus generator	SH2WBU230N	



COPYRIGHT ©2015  
Content subject to change. Download the PDF: [www.productselection.net](http://www.productselection.net)