

# SHxxXLS2TEMDIS



## Temperature display



### Benefits

- **Integrated system.** Dupline® is the brand name for Carlo Gavazzi's 2-wire bus system.
- **Cost reduction.** The use of a bus system is a proven way to reduce installation costs – especially when the distance between I/O points are extensive.
- **Fast and easy installation.** Completely free topology, no special cable required, no screen or twist. It can go for 2 km and even further with repeaters.
- **High noise immunity.** Can run next to power cables.
- **Scalability.** The system can be progressively integrated with new modules according to the application needs.
- **Modularity.** The system is composed by many modules, powered by the bus, so that each installation can be precisely and easily sized.

### Description

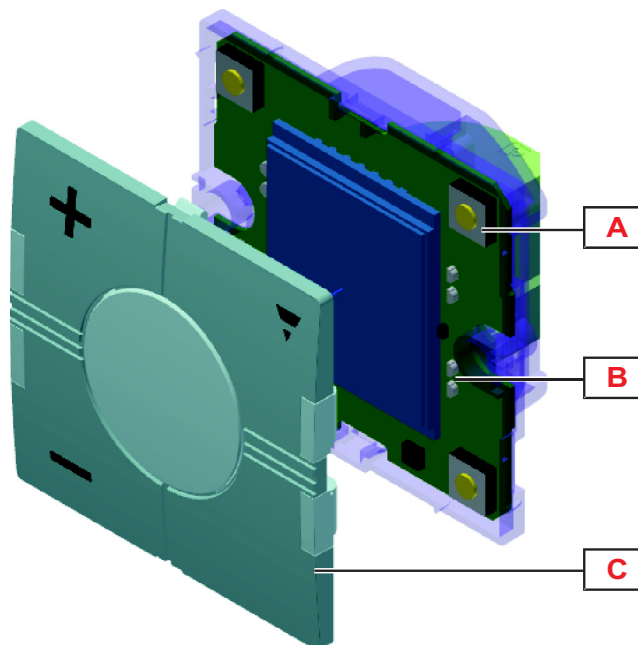
SHxxXLS2TEMDIS is a temperature display with 4 buttons and 4 LEDs. It is developed to be mounted into a 55 x 55 and 44 x 44 wall socket. Thanks to the TEMDIS display, the temperature setpoint can be changed very easily just clicking on the "+" and "-" keys. The two right keys are fully programmable. The TEMDIS is part of the smart Dupline concept for building automation applications.

### Applications

Home and building automation.

### Main features

- Shows current room temperature and shows outdoor temperature
- Turns on/off heating and cooling
- Programmable backlight
- Delivered with 2 white and 1 black pushbutton covers

 Structure


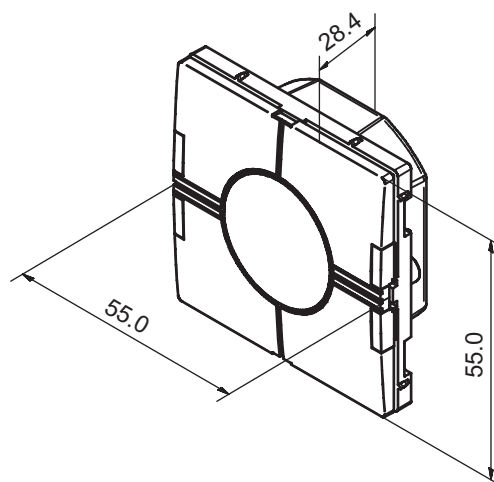
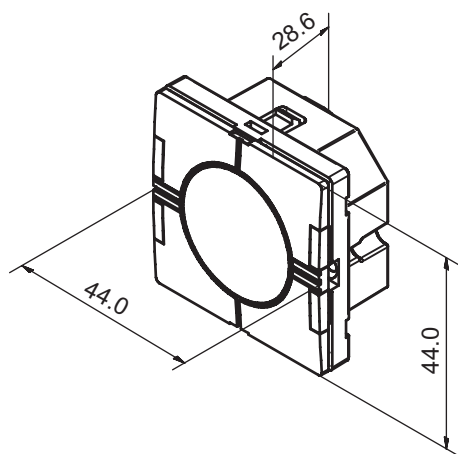
Element	Component	Function
A	Push buttons	4 individually programmable push button inputs
B	Blue and white LEDs	4 blue and 4 white programmable LEDs
C	Display	To show setpoint and room temperature



## Features

### General

<b>Material</b>	Back part: plastic Push button covers: plastic, white or black
<b>Dimensions (L x H x D)</b>	SHA4XLS2TEMDIS: 44 x 44 x 28.6 mm SHE5XLS2TEMDIS: 55 x 55 x 28.4 mm
<b>Weight</b>	50 g
<b>Protection grade</b>	IP20
<b>Pollution degree</b>	3 (IEC 60664)



### Environmental

<b>Operating temperature</b>	-10° to +50°C (+14° to +122°F)
<b>Storage temperature</b>	-20° to +70°C (-4° to +158°F)
<b>Humidity (non-condensing)</b>	20 to 80% RH

### Compatibility and conformity

<b>Electromagnetic compatibility (EMC) - immunity</b>	EN 61000-6-2
<b>Electromagnetic compatibility (EMC) - emissions</b>	EN 61000-6-3
<b>Approvals</b>	<b>CE</b>

### Power Supply

<b>Power supply</b>	Supplied by bus
<b>Consumption</b>	Max 2 mA

### Dupline®

<b>Voltage</b>	8.2 V
<b>Maximum Dupline® voltage</b>	10 V
<b>Minimum Dupline® voltage</b>	5.5 V
<b>Maximum Dupline® current</b>	2 mA
<b>Addressing</b>	If it is used with the Sx2WEB24 the address assignment is automatic: the controller recognises the module through the SIN (Specific Identification Number) that has to be inserted in the Sx tool. Used channels: 4 input channels, 4 output channels.

### Input specifications

<b>Sensor</b>	1 integrated temperature sensor	
<b>Temperature range</b>	-10° to +50°C (+14° to +122°F)	
<b>Accuracy</b>	± 1°C	
<b>Floor sensor (not included)</b>	Temperature range	-10° to +50°C (+14° to +122°F)
	Cable length	4 m
	Cable consists of 4 wires	<p>Brown is connect to "+" on the temperature controller</p> <p>Yellow is connect to "c" on the temperature controller</p> <p>White is connect to "d" on the temperature controller</p> <p>Green is connect to "L" on the temperature controller.</p> <p>See wiring diagram.</p> <p>The floor sensor is an active 4-wire sensor and must be ordered separately: the part number is BSO-TEMDIG.</p>

### Output specifications

<b>LED</b>	4 white / 4 blue
------------	------------------

## References

### Further reading

Information	Document	Where to find it
Sx2WEB installation guide	System manual	<a href="http://www.productselection.net/MANUALS/UK/system_manual.pdf">www.productselection.net/MANUALS/UK/system_manual.pdf</a>
Sx2WEB software manual	Sx tool manual	<a href="http://www.productselection.net/MANUALS/UK/sx_tool_manual.pdf">www.productselection.net/MANUALS/UK/sx_tool_manual.pdf</a>
Sx2WEB wireless installation manual	Wireless manual	<a href="http://www.productselection.net/MANUALS/UK/wireless_manual.pdf">http://www.productselection.net/MANUALS/UK/wireless_manual.pdf</a>

### Order code



SH   XLS2TEMDIS

Complete the code entering the corresponding option instead of

Code	Option	Description
SH	-	Smart Dupline
<input type="checkbox"/>	A	Aurora
	E	Eunica
<input type="checkbox"/> X	4X	Housing 44 x 44 mm
	5X	Housing 55 x 55 mm
LS2	-	Key number
TEMDIS	-	Temperature display

### CARLO GAVAZZI compatible components

Purpose	Component name/code	Notes
Controller	Sx2WEB24	
Bus generator	SH2MCG24, SBP2MCG24	

### Other compatible components

Purpose	Component name/code	Notes
Compatible frame SHA4XLS2TEMDIS	<b>Niko</b> <b>Fuga</b> <b>BTicino:</b> Luna, Living, Light	
Compatible frame SHE5XLS2TEMDIS	<b>Jung:</b> A 500 <b>Merten:</b> M-Star, M-Plan, Atelier M, M-Smart, M-Plan II <b>Gira:</b> Event, Esprit, Standard 55, E22 <b>Siemens:</b> Delta <b>Elko:</b> RS16, Plus <b>Schneider:</b> Exxact Primo	



COPYRIGHT ©2015  
Content subject to change. Download the PDF: [www.productselection.net](http://www.productselection.net)