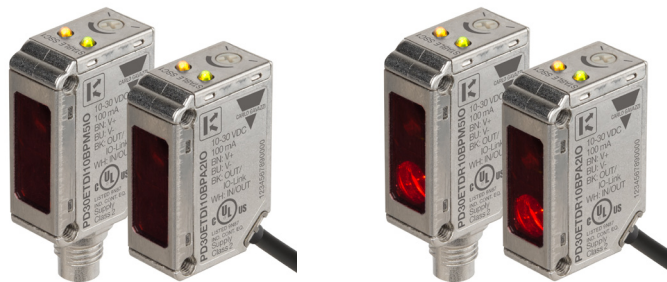




CARLO GAVAZZI



IO-Link photoelectric sensor

PD30ETDx10BPxxIO

Instruction manual

Betriebsanleitung

Manuel d'instructions

Manual de instrucciones

Manuale d'istruzione

Brugervejledning

使用手册

Carlo Gavazzi Industri Over Hadstenvej 40, 8370 Hadsten, Denmark

ENGLISH	3
DEUTSCH	45
FRANÇAIS	88
ESPAÑOL	129
ITALIANO	170
DANSK	211
中文 第页	252

Table of contents

1. Introduction	5
1.1. Description	5
1.2. Validity of documentation	5
1.3. Who should use this documentation	5
1.4. Use of the product	5
1.5. Safety precautions	5
1.7. Acronyms	6
2. Product	7
2.1. Main features	7
2.2. Identification number	7
2.3. Operating modes	8
2.3.1. SIO mode	8
2.3.2. IO-Link mode	8
2.3.3. Process data	9
2.4. Output Parameters	10
2.4.1. Sensor front	11
2.4.1.1. SSC (Switching Signal Channel)	11
2.4.1.2. Switchpoint mode	11
2.4.1.3. Hysteresis Settings	12
2.4.1.4. Dust alarm 1 and Dust alarm 2	13
2.4.1.5. Water drop alarm 1 and Water drop alarm 2	13
2.4.1.6. Temperature alarm (TA)	13
2.4.1.7. External input	13
2.4.2. Auto adjust	13
2.4.3. Input selector	13
2.4.4. Logic function block	13
2.4.5. Timer (Can be set individually for Out1 and Out2)	15
2.4.5.1. Timer mode	15
2.4.5.1.1. Disabled	15
2.4.5.1.2. Turn On delay (T-on)	15
2.4.5.1.3. Turn Off delay (T-off)	16
2.4.5.1.4. Turn ON and Turn Off delay (T-on and T-off)	16
2.4.5.1.5. One shot leading edge	16
2.4.5.1.6. One shot trailing edge	17
2.4.5.2. Timer scale	17
2.4.5.3. Timer Value	17
2.4.6. Output Inverter	17
2.4.7. Output stage mode	17
2.4.8. Application functions	18
2.4.8.1. Speed and Length	18
2.4.8.1.1. Conditions	18
2.4.8.1.2. Speed and Length – Setup procedure	18
2.4.8.2. Pattern Recognition	19
2.4.8.2.1. Conditions	19
2.4.8.2.2. Pattern recognition – Setup procedure	19
2.4.8.3. Divider function	21
2.4.8.3.1. Conditions	21
2.4.8.3.2. Divider function – Setup procedure	21
2.4.8.4. Object and Gap Monitoring	22
2.4.8.4.1. Conditions	22
2.4.8.4.2. Object and Gap Monitoring – Setup procedure	22
2.5. Sensor Specific adjustable parameters	24
2.5.1. Selection of local or remote adjustment	24
2.5.2. Trimmer data	24
2.5.3. Process data configuration	24
2.5.4. Sensor Measurement Selection	24
2.5.5. Temperature alarm threshold	24

2.5.6. Safe limits	24
2.5.6.1. Stable ON	24
2.5.6.2. Stable OFF	24
2.5.7. Event configuration	25
2.5.8. Quality of run QoR	25
2.5.9. Quality of Teach QoT	26
2.5.10. Excess Gain	26
2.5.11. Filter Scaler	26
2.5.12. Mutual interference	26
2.5.13. LED indication	27
2.5.14. Hysteresis mode	27
2.5.15. Auto hysteresis value	27
2.6. Teach procedure by use of SCTL55 or an IO-Link master	28
2.6.1. External Teach (Teach-by-wire)	28
2.6.2. Teach from IO-Link Master or Smart configurator (SCTL55)	28
2.6.2.1. Single point mode procedure	28
2.6.2.2. Two point mode procedure	30
2.6.2.3. Windows mode procedure	31
2.7. Diagnostic parameters	33
2.7.1. Operating hours	33
2.7.2. Number of power cycles [cycles]	33
2.7.3. Maximum temperature – all time high [°C]	33
2.7.4. Minimum temperature – all time low [°C]	33
2.7.5. Maximum temperature since last power-up [°C]	33
2.7.6. Minimum temperature since last power-up [°C]	33
2.7.7. Current temperature [°C]	33
2.7.8. Detection counter [cycles]	33
2.7.9. Minutes above maximum temperature [min]	33
2.7.10. Minutes below minimum temperature [min]	33
2.7.11. Download counter	33
3. Wiring diagrams	34
4. Commissioning	34
5. Operation	35
5.1. User interface of PD30ETDx10BPxxIO	35
6. IODD file and factory setting	36
6.1. IODD file of an IO-Link device	36
6.2. Factory settings	36
7. Appendix	36
7.1. Acronyms	36
7.2. IO-Link Device Parameters for PD30ETD IO-Link	37
7.2.1. Device Identification	37
7.2.2. Observation	37
7.2.3. SSC parameters	38
7.2.4. Output Parameters	39
7.2.5. Sensor specific adjustable parameters	40
7.2.6. Auto Adjust	40
7.2.7. Application Function	41
7.2.7.1. Speed and Length	41
7.2.7.2. Pattern Recognition	41
7.2.7.3. Divider	42
7.2.7.4. Object and Gap Monitoring	42
7.2.8. Diagnostic parameters	43
2.5.6.2. Stable OFF	67
Dimensions	291
Excess gain	291
Detection diagram	292
Installation Hints	293

1. Introduction

This manual is a reference guide for Carlo Gavazzi IO-Link photoelectric sensors PD30ETDx10BPxxIO. It describes how to install, setup and use the product for its intended use.

1.1. Description

Carlo Gavazzi photoelectric sensors are devices designed and manufactured in accordance with IEC international standards and are subject to the Low Voltage (2014/35/EU) and Electromagnetic Compatibility (2014/30/EU) EC directives.

All rights to this document are reserved by Carlo Gavazzi Industri, copies may be made for internal use only. Please do not hesitate to make any suggestions for improving this document.

1.2. Validity of documentation

This manual is valid only for PD30ETDx10BPxxIO photoelectric sensors with IO-Link and until new documentation is published.

1.3. Who should use this documentation

This instruction manual describes the function, operation and installation of the product for its intended use. This manual contains important information regarding installation and must be read and completely understood by specialized personnel dealing with these photoelectric sensors. We highly recommend that you read the manual carefully before installing the sensor. Save the manual for future use. The Installation manual is intended for qualified technical personnel.

1.4. Use of the product

These photoelectric Diffuse reflective sensors are designed as energized sensors, meaning when a sufficient level of the emitted light is received by the receiver the sensor react and switch the outputs. The received signal level can be read via the Process data in IO-Link mode.

The PD30ETDx10BPxxIO sensors can operate with or without IO-Link communication. By means of a SCTL55 or an IO-Link master it is possible to operate and configure these devices.

1.5. Safety precautions

This sensor must not be used in applications where personal safety depends on the function of the sensor (The sensor is not designed according to the EU Machinery Directive).

Installation and use must be carried out by trained technical personnel with basic electrical installation knowledge. The installer is responsible for correct installation according to local safety regulations and must ensure that a defective sensor will not result in any hazard to people or equipment. If the sensor is defective, it must be replaced and secured against unauthorised use.

1.6. Other documents

It is possible to find the datasheet, the IODD file and the IO-Link parameter manual on the Internet at <http://gavazziautomation.com>

1.7. Acronyms

I/O	Input/Output
PD	Process Data
PLC	Programmable Logic Controller
SIO	Standard Input Output
SP	Setpoints
IODD	I/O Device Description
IEC	International Electrotechnical Commission
NO	Normally Open contact
NC	Normally Closed contact
NPN	Pull load to ground
PNP	Pull load to V+
Push-Pull	Pull load to ground or V+
QoR	Quality of Run
QoT	Quality of Teach
UART	Universal Asynchronous Receiver-Transmitter
SO	Switching Output
SSC	Switching Signal Channel
DA	Dust alarm
WDA	Water drop alarm
AFO	Application function output
TA	Temperatur alarm

2. Product

2.1. Main features



IO-Link Carlo Gavazzi 4-wire DC photoelectric Diffuse Reflective sensors, built to the highest quality standards, is available in Stainless Steel housing AISI316L for harsh environment. IP69K and ECOLAB approved.

They can operate in standard I/O mode (SIO), which is the default operation mode. When connected to an SCTL55 or an IO-Link master, they automatically switch to IO-Link mode and can be operated and easily configured remotely.

Thanks to their IO-Link interface, these devices are much more intelligent and feature many additional configuration options, such as the settable sensing distance and hysteresis, also timer functions of the output. Advanced functionalities such as the Logic function block and the possibility to convert one output into an external input makes the sensor highly flexible.

Application functions such as; Pattern recognition, Speed and Length monitoring, Divider function and Object and Gap detection are de-central functions dedicated to solve specific sensing tasks.

2.2. Identification number

Code	Option	Description
P	-	Photoelectric Sensor
D	-	Rectangular housing
30	-	Housing size
E	-	Stainless Steel housing - AISI316L
T	-	Top trimmer
D	-	Diffuse reflective
	I	Infrared light
	R	Red light
10	-	1 000 mm sensing distance
B	-	Selectable functions: NPN, PNP, Push-Pull, External Input (only pin 2), External teach input (only pin 2)
P	-	Selectable: NO or NC
	A2	2 metre PVC cable
	M5	M8, 4-pole connector
IO	-	IO-Link version

Additional characters can be used for customized versions.

2.3. Operating modes

IO-Link photoelectric sensors are provided with two switching outputs (SO) and can operate in two different modes: SIO mode (standard I/O mode) or IO-Link mode (pin 4).

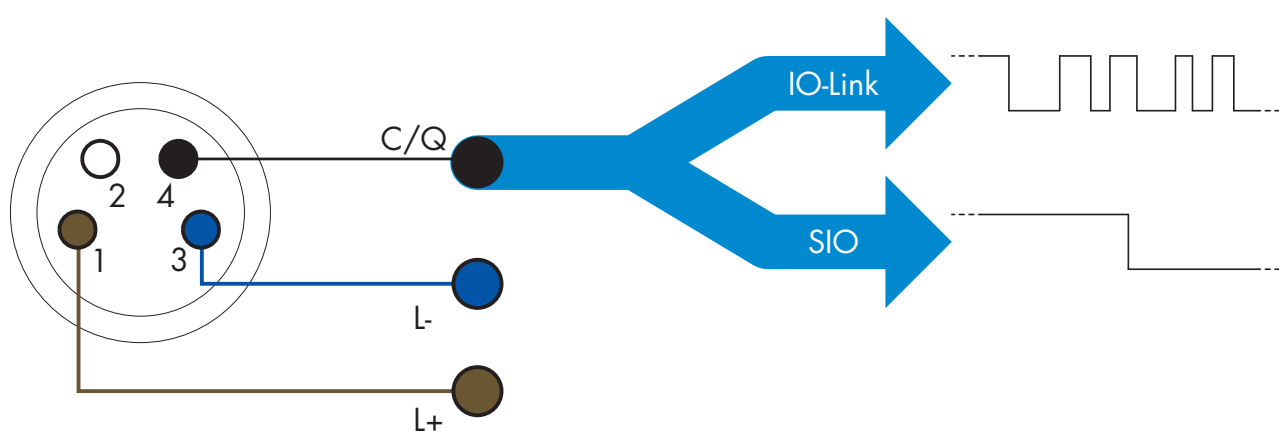
2.3.1. SIO mode

When the sensor operates in SIO mode (default), a SCTL55 or an O-Link master is not required. The device works as a standard photoelectric sensor, and it can be operated via a fieldbus device or a controller (e.g. a PLC) when connected to its PNP, NPN or push-pull digital inputs (standard I/O port). One of the greatest benefits of these photoelectric sensors is the possibility to configure them via a SCTL55 or an O-Link master and then, once disconnected from the master, they will keep the last parameter and configuration settings. In this way it is possible, for example, to configure the outputs of the sensor individually as a PNP, NPN or push-pull, or to add timer functions such as T-on and T-off delays or logic functions and thereby satisfy several application requirements with the same sensor.

2.3.2. IO-Link mode

IO-Link is a standardized IO technology that is recognized worldwide as an international standard (IEC 61131-9). It is today considered to be the "USB interface" for sensors and actuators in the industrial automation environment. When the sensor is connected to one IO-Link port, the SCTL55 or IO-Link master sends a wakeup request (wake up pulse) to the sensor, which automatically switches to IO-Link mode: point-to-point bidirectional communication then starts automatically between the master and the sensor.

IO-Link communication requires only standard 3-wire unshielded cable with a maximum length of 20 m.



IO-Link communication takes place with a 24 V pulse modulation, standard UART protocol via the switching and communication cable (combined switching status and data channel C/Q) PIN 4 or black wire.

For instance, an M8 4-pin male connector has:

- Positive power supply: pin 1, brown
- Negative power supply: pin 3, blue
- Digital output 1: pin 4, black
- Digital output 2: pin 2, white

The transmission rate of PD30ETDx10BPxxIO sensors is 38.4 kBaud (COM2).

Once connected to the IO-Link port, the master has remote access to all the parameters of the sensor and to advanced functionalities, allowing the settings and configuration to be changed during operation, and enabling diagnostic functions, such as temperature warnings, temperature alarms and process data.

Thanks to IO-Link it is possible to see the manufacturer information and part number (Service Data) of the device connected, starting from V1.1. Thanks to the data storage feature it is possible to replace the device and automatically have all the information stored in the old device transferred into the replacement unit.

Access to internal parameters allows the user to see how the sensor is performing, for example by reading the internal temperature.

Event Data allows the user to get diagnostic information such as an error, an alarm, a warning or a communication problem.

There are two different communication types between the sensor and the master and they are independent of each other:

- Cyclical for process data and value status – this data is exchanged cyclically.
- Acyclical for parameter configuration, identification data, diagnostic information and events (e.g. error messages or warnings) – this data can be exchanged on request.

2.3.3. Process data

By default the process data shows the following parameters as active: 16 bit Analogue value, Switching Output1 (SO1) and Switching Output 2 (SO2).

The following parameters are set as Inactive: SSC1, SSC2, TA, SC, DA1, DA2, AFO1, WDA1, WDA2.

However by changing the Process Data Configuration parameter, the user can decide to also enable the status of the inactive parameters. This way several states can be observed in the sensor at the same time.

Process data can be configured. See 2.5.3. Process data configuration.

Byte 0	31	30	29	28	27	26	25	24
	MSB							
Byte 1	23	22	21	20	19	18	17	16
								LSB
Byte 2	15	14	13	12	11	10	9	8
			SC	TA	DA2	DA1	SSC2	SSC1
Byte 3	7	6	5	4	3	2	1	0
	AFO1				WDA2	WDA1	SO2	SO1

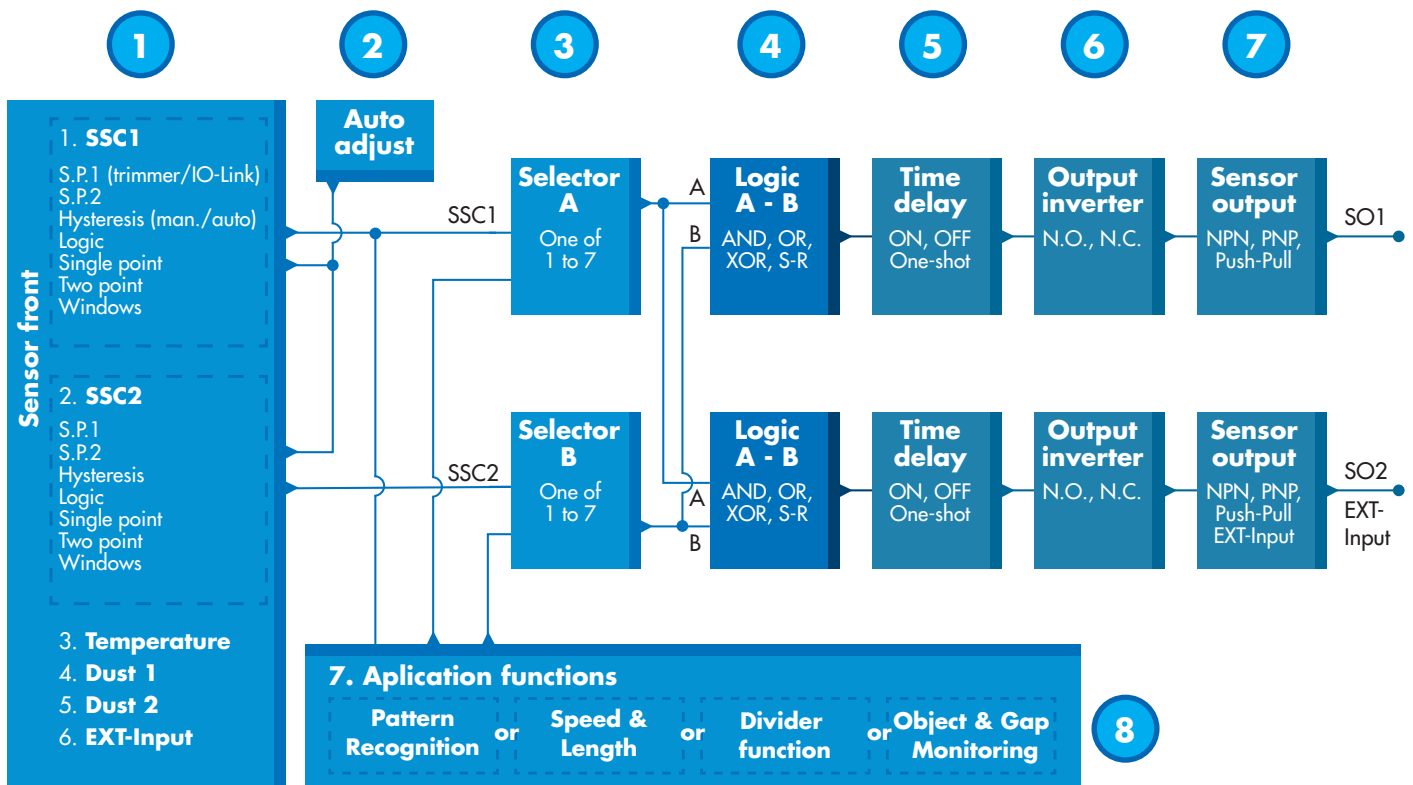
4 Bytes

Analogue value 16 ... 31 (16 BIT)

2.4. Output Parameters

Seven sensing functions and 4 application functions can be selected. These values can be independently adjusted and used as source for the Switching Output 1 or 2; in addition to those, an external input can be selected for SO2. After selecting one of these sources, it is possible to configure the output of the sensor with a SCTL55 or an IO-Link master, following the seven steps shown in the Switching Output setup below.

Once the sensor has been disconnected from the master, it will switch to the SIO mode and keep the last configuration setting.



1

2.4.1. Sensor front

The Diffuse Reflective sensor emits light towards a target and measures the light level reflected from the target. Once the energy of the received light level exceeds a predefined level then the sensor switches the output. The sensing distance depends on the colour, shape and structure of the target.

2.4.1.1. SSC (Switching Signal Channel)

For presence (or absence) detection of an object in front of the face of the sensor, the following settings are available: SSC1 or SSC2. Setpoints can be set from 100 ... 1 000 [mm]*.

* It is not recommended to use settings higher than maximum 1 000 mm however under optimal conditions (object surface, ambient light environment and EMC noise etc.) the distance can be set at higher value.

2.4.1.2. Switchpoint mode:

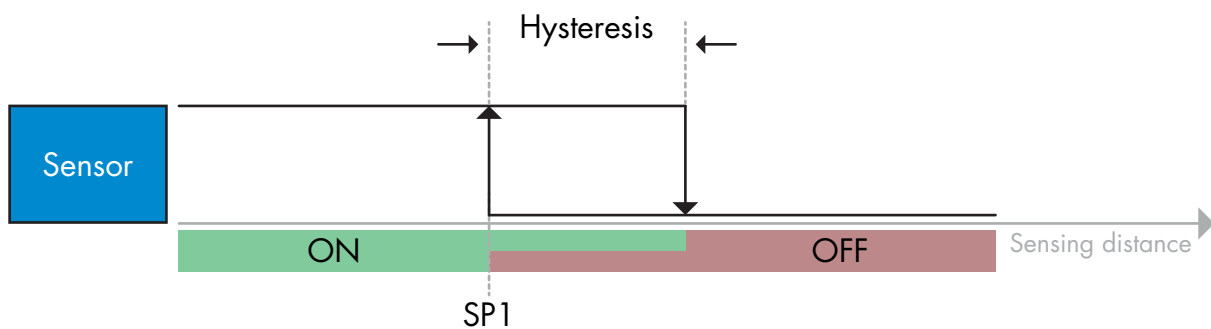
Each SSC channel can be set operate in 3 modes or be disabled. The Switchpoint mode setting can be used to create more advanced output behaviour. The following switchpoint modes can be selected for the switching behaviour of SSC1 and SSC2

Disabled

SSC1 or SSC2 can be disabled individually.

Single point mode

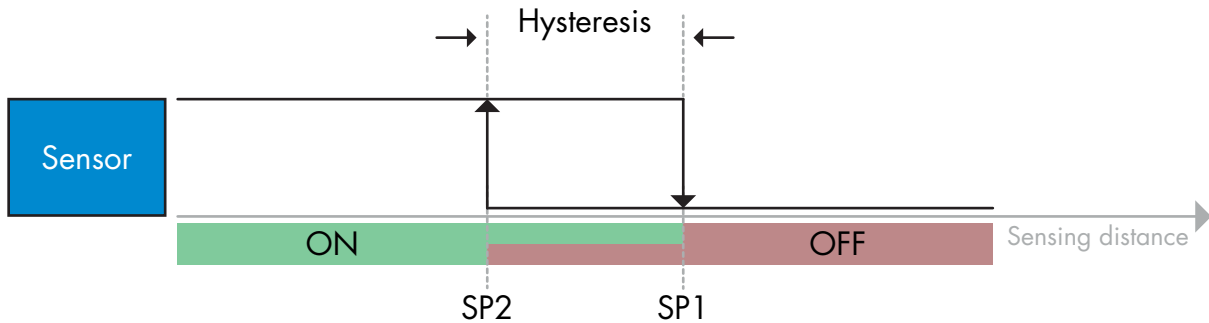
The switching information changes, when the measurement value passes the threshold defined in setpoint SP1, with rising or falling measurement values, taking into consideration the hysteresis.



Example of presence detection - with non-inverted logic

Two point mode

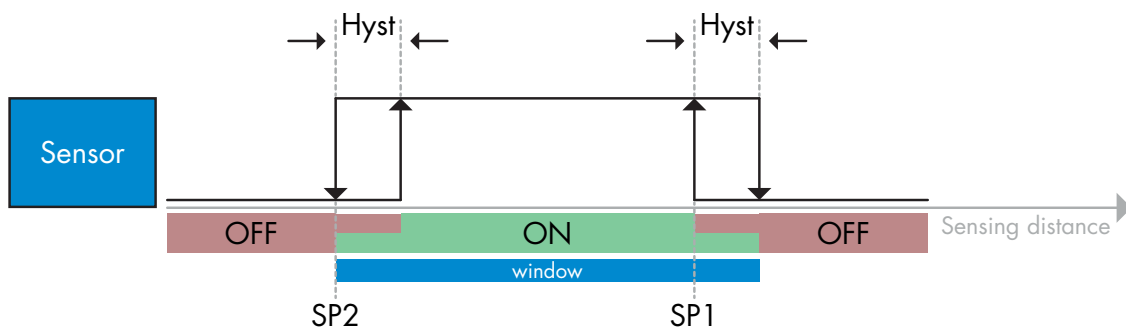
The switching information changes when the measurement value passes the threshold defined in setpoint SP1. This change occurs only with rising measurement values. The switching information also changes when the measurement value passes the threshold defined in setpoint SP2. This change occurs only with falling measurement values. Hysteresis is not considered in this case.



Example of presence detection - with non-inverted logic

Window mode

The switching information changes, when the measurement value passes the thresholds defined in setpoint SP1 and setpoint SP2, with rising or falling measurement values, taking into consideration the hysteresis.



Example of presence detection - with non-inverted logic

2.4.1.3. Hysteresis Settings

The hysteresis can be set automatically or manually for SSC1 and manually only for SSC2. The hysteresis is set as a percentage of the set value chosen for SP1 and SP2.

Note: When trimmer is selected, the default hysteresis is Automatic.

Automatic hysteresis:

Automatic hysteresis will guarantee stable operation for most application.

Hysteresis is calculated with reference to SP1/SP2 and the actual values can be read via parameter "SSC1 Auto hysteresis", typically 25% of the set value for SP1 and SP2.

Manual hysteresis:

When manual hysteresis is selected, the hysteresis can be changed between 5 ... 99%

For application that require a hysteresis other than the automatic, the hysteresis can be configured manually. This feature makes the sensor more versatile.

Note: Special attention to the application must be considered when choosing a hysteresis lower than the automatic hysteresis.

2.4.1.4. Dust alarm 1 and Dust alarm 2

The safe limit can be set individually. It is defined as a value between when the sensing output is switching and the value at which the sensor detects safely even with a slightly buildup of dust.
See 2.6.6. Safe limits.

2.4.1.5. Water drop alarm 1 and Water drop alarm 2

The safe limit can be set individually. It is defined as a value between when the sensing output is switching and the value at which sensor detects safely even with a slightly buildup of water drops.
See 2.6.6. Safe limits.

2.4.1.6. Temperature alarm (TA)

The sensor monitors constantly the internal temperature. Using the temperature alarm setting it is possible to get an alarm from the sensor if temperature thresholds are exceeded. See §2.5.5.

Two independent temperature alarm settings can be set. One for the maximum temperature alarm and one for the minimum temperature alarm.

It is possible to read the temperature of the sensor via the acyclic IO-Link parameter data.

NOTE!

The temperature measured by the sensor will always be higher than the ambient temperature, due to internal heating.

The difference between ambient temperature and internal temperature is influenced by how the sensor is installed in the application.

2.4.1.7. External input

The output 2 (SO2) can be configured as an external input allowing external signals to be fed into the sensor, e.g. from a second sensor or from a PLC or directly from machine output.

2

2.4.2. Auto adjust

Auto adjustment function can be enabled to compensate for buildup of dust or water drops

Based upon an preset setpoint from the trimmer, with IO-Link parameters SSC1_SP1 / SSC2_SP1 or by Teach, the sensor continuously monitors the received signals from the target and background, and adjusts the setpoint up or down if a stable ON or OFF state cannot be reached.

Dust alarm is activated if Auto adjust has reached its maximum sensibility and cleaning is needed.

Water drop alarm is activated if Auto adjust has reached its minimum sensibility and cleaning is needed.

3

2.4.3. Input selector

This function block allows the user to select any of the signals from the "sensor front" to the Channel A or B.

Channels A and B: can select from SSC1, SSC2, Dust alarm 1, Dust alarm 2, Water drop alarm 1, Water drop alarm 2, Temperature alarm and External input.

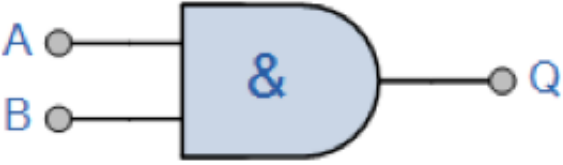
4

2.4.4. Logic function block

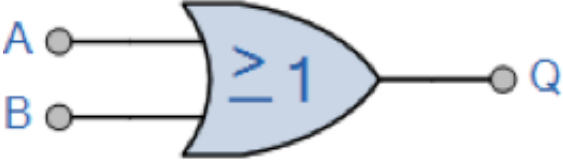
In the logic function block a logic function can be added directly to the selected signals from the input selector without using a PLC – making decentralised decisions possible.

The logic functions available are: AND, OR, XOR, SR-FF.

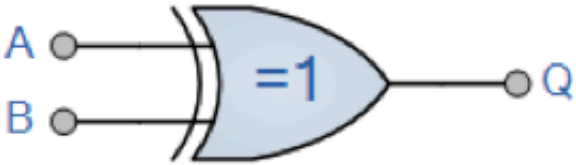
AND function

Symbol	Truth table		
 <p>2-input AND Gate</p>	A	B	Q
	0	0	0
	0	1	0
	1	0	0
	1	1	1
Boolean Expression Q = A.B	Read as A AND B gives Q		

OR function

Symbol	Truth table		
 <p>2-input OR Gate</p>	A	B	Q
	0	0	0
	0	1	1
	1	0	1
	1	1	1
Boolean Expression Q = A + B	Read as A OR B gives Q		

XOR function

Symbol	Truth table		
 <p>2-input XOR Gate</p>	A	B	Q
	0	0	0
	0	1	1
	1	0	1
	1	1	0
Boolean Expression Q = A ⊕ B	A OR B but NOT BOTH gives Q		

"Gated SR-FF" function

The function is designed to: e.g. start or stop signal for a buffer conveyor dependent on the fill status of the adjacent feeder or receiver conveyor using only two interconnected sensors.

Symbol	Truth table		
	A	B	Q
	0	0	0
	0	1	X
	1	0	X
	1	1	1

X – no changes to the output.

5

2.4.5. Timer (Can be set individually for Out1 and Out2)

The Timer allows the user to introduce different timer functions by editing the 3 timer parameters:

- Timer mode
- Timer scale
- Timer value

2.4.5.1. Timer mode

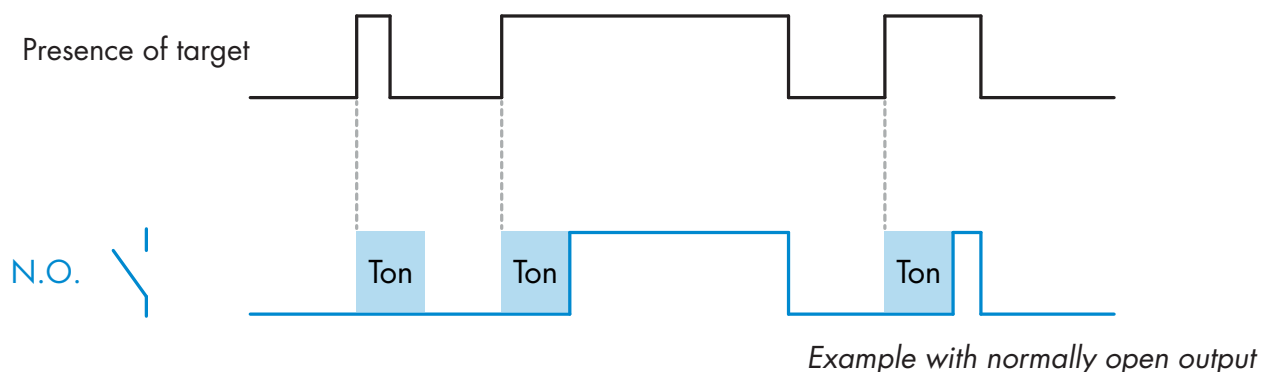
This selects which type of timer function is introduced on the Switching Output. Any one of the following is possible:

2.4.5.1.1. Disabled

This option disables the timer function no matter how the timer scale and timer delay is set up.

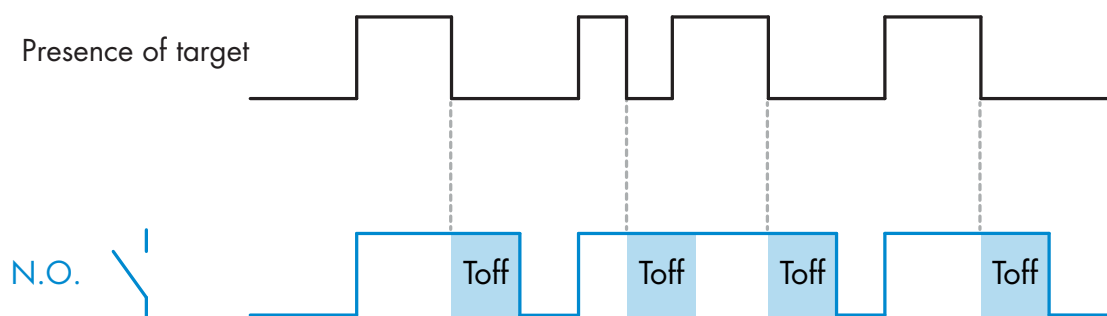
2.4.5.1.2. Turn On delay (T-on)

The activation of the switching output is generated after the actual sensor actuation as shown in the figure below.



2.4.5.1.3. Turn Off delay (T-off)

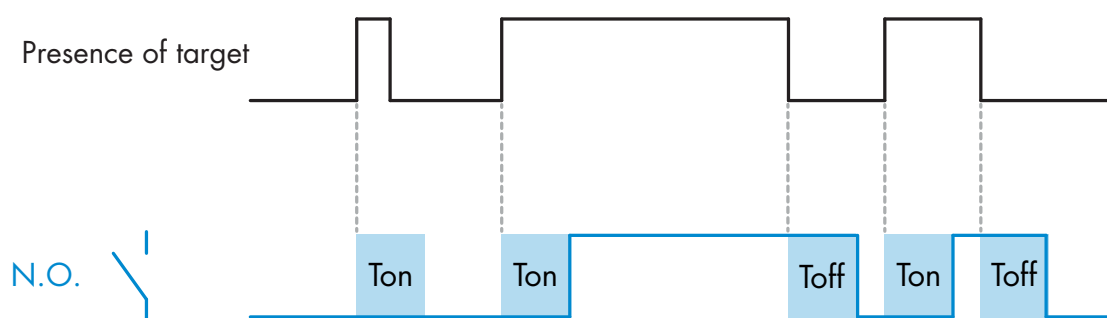
The deactivation of the switching output is delayed until after to the time of removal of the target in the front of the sensor, as like shown in the figure below.



Example with normally open output

2.4.5.1.4. Turn ON and Turn Off delay (T-on and T-off)

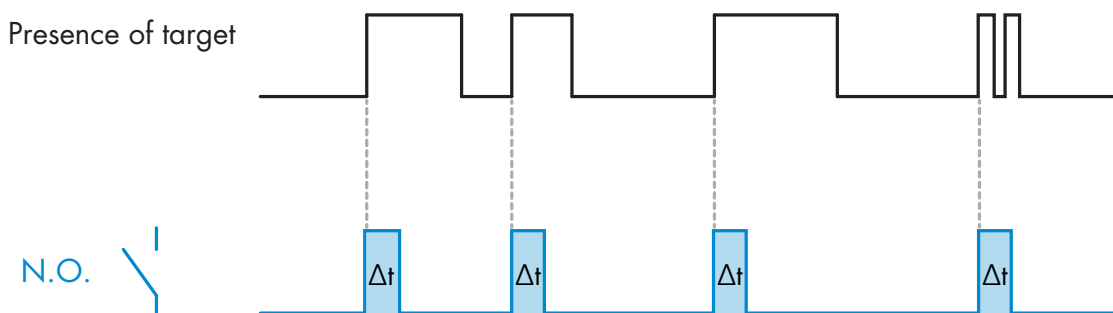
When selected, both the Ton and the Toff delays are applied to the generation of the switching output.



Example with normally open output

2.4.5.1.5. One shot leading edge

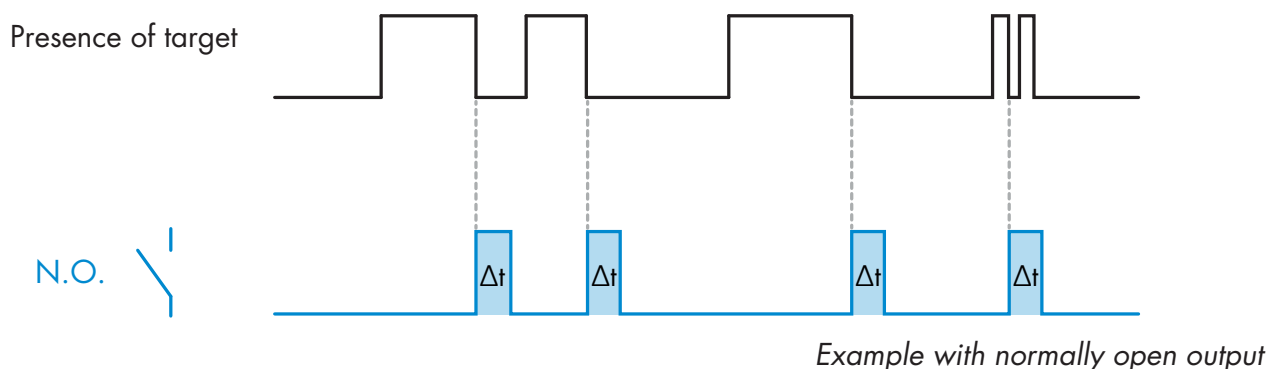
Each time a target is detected in front of the sensor the switching output generates a pulse of constant length on the leading edge of the detection. This function is not retriggerable. See figure below.



Example with normally open output

2.4.5.1.6. One shot trailing edge

Similar in function to the one shot leading edge mode, but in this mode the switching output is changed on the trailing edge of the activation as shown in the figure below. This function is not retriggerable.



2.4.5.2. Timer scale

The parameter defines if the delay specified in the Timer delay should be in milliseconds, seconds or minutes

2.4.5.3. Timer Value

The parameter defines the actual duration of the delay. The delay can be set to any integer value between 1 and 32 767.

6

2.4.6. Output Inverter

This function allows the user to invert the operation of the switching output between Normally Open and Normally Closed.

RECOMMENDED FUNCTION

The recommended function is found in the parameters under 64 (0x40) sub index 8 (0x08) for SO1 and 65 (0x41) sub index 8 (0x08) for SO2. It has no negative influence on the Logic functions or the timer functions of the sensor as it is added after those functions.

CAUTION!

The Switching logic function found under 61 (0x3D) sub index 1 (0x01) for SSC1 and 63 (0x3F) sub index 1 (0x01) for SSC2 are not recommended for use as they will have a negative influence on the logic or timer functions. Using this function will turn an ON delay into an Off delay if it is added for the SSC1 and SSC2. It is only for the SO1 and SO2.

7

2.4.7. Output stage mode

In this function block the user can select if the switching outputs should operate as:

- SO1: Disabled, NPN, PNP or Push-Pull configuration.
- SO2: Disabled, NPN, PNP, Push-Pull, External input (Active high/Pull-down), External input (Active low/pull up) or External Teach input.

2.4.8. Application functions

4 unique application functions can be selected via IO-Link only.

- Speed and Length.
- Pattern Recognition.
- Divider.
- Object and Gap Monitoring.

All application functions are disabled as factory setting.

2.4.8.1. Speed and Length

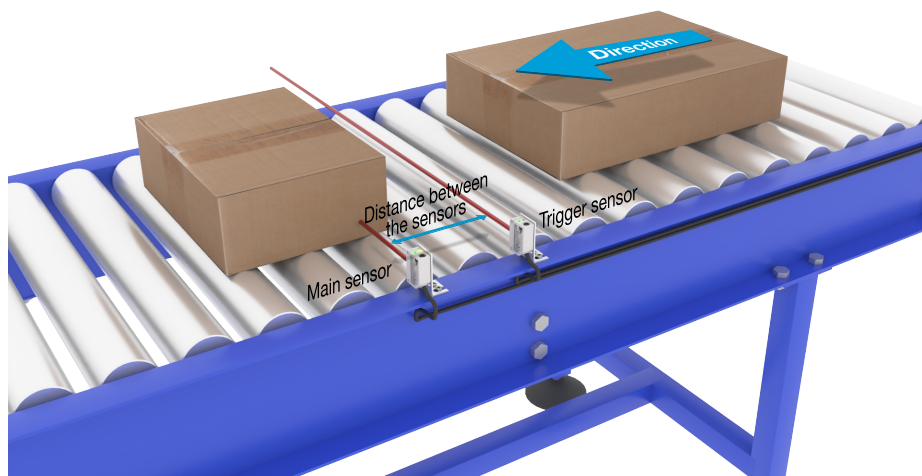
This function is designed to monitor the length of an object as well as the speed of a conveyor belt by means of only two interconnected sensors. The actual value of the length in [mm] and the speed in [mm/s] are directly available on the IO-Link master.

Either the length or the speed can be set as process data.

2.4.8.1.1. Conditions

Two sensors are needed for this function: a Trigger sensor and a Main sensor.

2.4.8.1.2. Speed and Length – Setup procedure



Alignment of Trigger and Main Sensor

Sensor preparation

- 1) Mount two sensors at the conveyor with an individual distance of e.g. 100 mm
- 2) Connect the two sensors to an SCTL55 or IO-Link master
- 3) Upload the IODD files in the SCTL55 or IO-Link Master
- 4) Switch on the power to the sensors
- 5) Restore the sensors to factory settings using the SCTL55 or IO-Link master.
- 6) Align the two sensors so the light beams are parallel to each other and aimed at the target.
- 7) Adjust the sensitivity on the sensors to get a reliable detection on the object.
(The yellow LED is ON, and the green LED is ON indicating stable ON and IO-Link Mode)

IO-Link parameter settings (see Data Range options in § 7.2.7.1.)

- 8) Trigger sensor: (The object passes the Trigger Sensor first)
 - a) Select "Speed and Length" in the SCTL55 or IO-Link master; Menu "Parameter" -> "Application Functions"

- b) Select "Sensor role" -> "Trigger Sensor"
 - c) IO-Link Parameter Set-up is finished for the Trigger Sensor
 - 9) Main sensor: (calculates Speed and Length and makes data available via IO-Link)
 - a) Reset the sensor using "Restore factory Settings" (if already performed in point 5 then this can be skipped).
 - b) Select "Speed and Length" in the SCTL55 or IO-Link master; Menu "Parameter" -> "Application Functions"
 - c) Select "Sensor role" -> "Main Sensor".
 - d) Enter the distance in between the two sensors in [mm] in the menu "Speed and Length Measurement Main Sensor" -> "Distance between sensors"
 - e) Select "Object Length" or "Object Speed" if required in "Process Data" in the "Observation menu" under "Process data configuration" -> "Analogue value"
 - i. Object Length will be shown in [mm]
 - ii. Object Speed will be shown in [mm/s]
 - 10) Connect sensor output Pin 2 of the Trigger Sensor to Input Pin 2 of the Main Sensor
 - 11) The Speed and length function is now ready for use.
- NB!** During the measurement variations in the conveyor speed may impact the result.

2.4.8.2. Pattern Recognition

The pattern recognition function is used to verify if a manufactured part has all the e.g. holes or taps as expected and that the parts are made according to the specification.

A pattern of a part can be recorded into the sensor and the following parts then compared to the pre-recorded pattern.

If pattern match, the sensor will respond with a positive signal or command either as standalone operation or via an IO-Link master

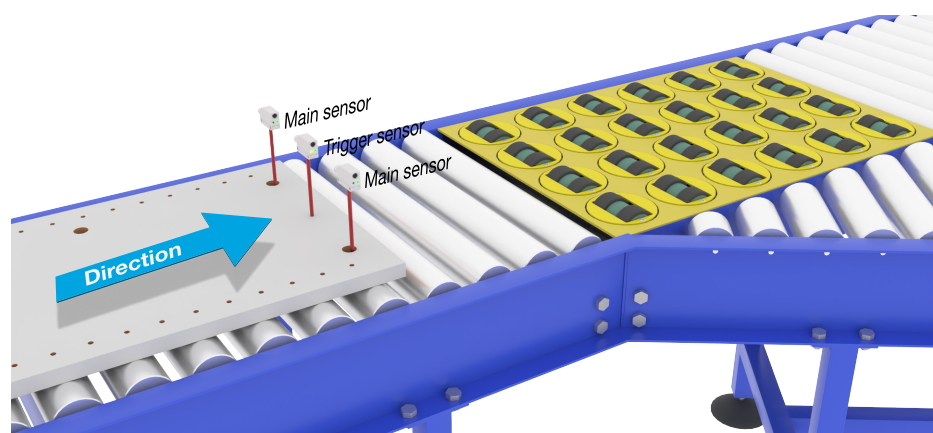
The pattern can max. contain 20 edges eg. 10 holes or 10 taps.

If multiple pattern are to be detected then several Main sensors can be connected to a single Trigger sensor.

2.4.8.2.1. Conditions

Two sensors are needed for this function a Trigger Sensor and a Main Sensor, however several Main sensors can be connected to the Trigger Sensor if more than one pattern must be examined simultaneously.

2.4.8.2.2. Pattern recognition – Setup procedure



Alignment of Trigger and Main Sensor

Sensor preparation

- 1) Mount two sensors at the conveyor in line so the object will reach the two sensors at the same time.
- 2) Connect the two sensors to an SCTL55 or IO-Link master
- 3) Upload the IODD files in the SCTL55 or IO-Link Master

- 4) Switch on the power to the sensors
- 5) Restore the sensors to factory settings using the SCTL55 or IO-Link master.
- 6) Align the two sensors so the light beams will be detecting the edge of the target at the same time.
- 7) The trigger sensor must be mounted in a position where it will continuously detect the object without any holes or taps.
- 8) The Main sensor must be mounted so it detects the taps or holes that contain the pattern to be examined
- 9) Adjust the sensitivity on the sensors to get a reliable detection on the target.
(The yellow LED are ON, and the green LED are ON indicating Stable ON and IO-Link Mode)

IO-Link parameter settings (see Data Range options in § 7.2.7.2.)

- 10) Trigger sensor:
 - a) Select "Pattern Recognition" in the SCTL55 or IO-Link master; Menu "Parameter" -> "Application Functions"
 - b) Select "Sensor role" -> "Trigger Sensor"
 - c) IO-Link Parameter Set-up is finished for the Trigger Sensor
- 11) Main sensor:
 - a) Select "Pattern Recognition" in the SCTL55 or IO-Link master; Menu "Parameter" -> "Application Functions"
 - b) Select "Sensor role" -> "Main Sensor".
 - c) Enter the Timeout value used for maximum evaluation time between 1 ... 60 sec, in the menu "Pattern Recognition Setup" -> "Timeout" (default value is 60 sec.)
 - d) Enter the Tolerance of the Pattern in ‰ (Parts per thousand), between 1 and 200 ‰ in the menu "Pattern Recognition Setup" -> "Tolerance", default value is 50 ‰
- 12) Connect sensor output Pin 2 of the Trigger Sensor to Input Pin 2 of the Main Sensor(s)

Teach the Pattern

- 13) Activate the "Teach Pattern" command to start learning the pattern
- 14) Move the target at a steady speed passing fully by the two sensors
NB! During the measurement variations in the conveyor speed may impact the result.
- 15) The sensor responds with:
 - a) "Saved" in "Pattern Recognition Result" -> "Reference Pattern"
 - b) "E.g. 12" in "Pattern Recognition Result" -> "Reference Pattern No Of Edges" (counts both the leading and trailing edges of the measurement targets).
 - c) Each edge is saved in ms from the leading edge of the complete measurement target and can be found in the Observation menu. When compared to the reference pattern the edges are normalized as a percentage value of the complete measurement target.
This ensures that the pattern can be recognized at various constant speeds.
- 16) The Pattern can be saved as a project in the SCTL55 or IO-Link master and at a later point send back to the sensor in order to use this specific saved pattern as a reference pattern.
- 17) The Pattern Recognition function is now ready for use.
- 18) Move the target again at a steady speed passing fully by the two sensors
- 19) The Sensor responds with the text
 - a) "E.g. 12" in "Pattern Recognition Result" -> "Number of Edges Last Pattern"
- 20) "Patterns Match" in "Pattern Recognition Result" -> "Pattern Recognition Status"

Standalone operation in SIO Mode

- 21) Disconnect the sensor from the SCTL55 or IO-Link master and connect the Pin 4 to your e.g. decentral Tower light or good/bad conveyor belt
- 22) Once a valid pattern is detected the Pin 4 output responds with a 1 second pulse.

Multiple patterns

Multiple patterns can be detected simultaneously on the same target using only one Trigger sensor and multiple Main sensors, each Main sensor responds to a specific Pattern.

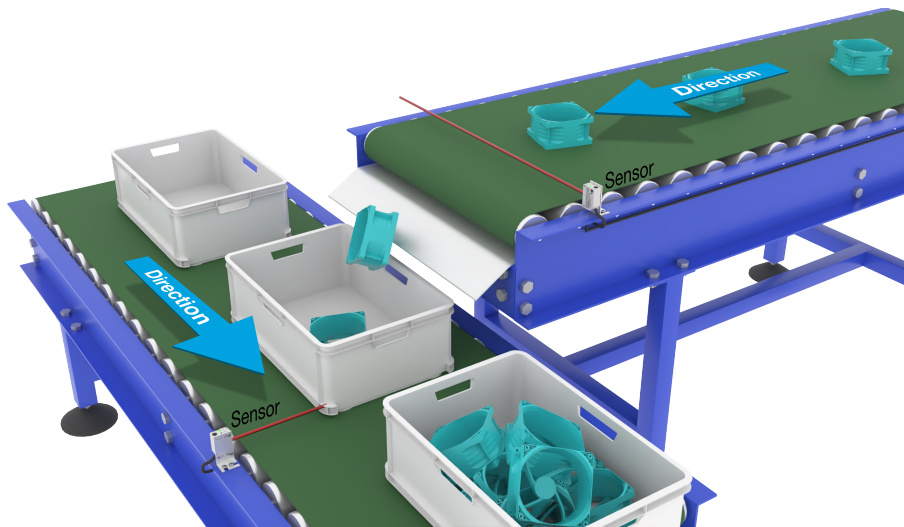
2.4.8.3. Divider function

This function allows e.g. the user to set up a number of counts to be performed before changing the output. By default, this value is set to 1 and each activation causes the output to change. When the value is set to a higher value e.g. 10 then the sensor will give output every 10th detection, the sensor will count at the trailing edge of the object. In the application example below the sensor shall change the output state after 8 products have been detected. The sensor output will indicate a "box full" and a new box is moved in front of the primary conveyor. The counter can be reset manually via the SO2, pre-configured as an external reset button.

2.4.8.3.1. Conditions

Only a single sensor is being used for this function.

2.4.8.3.2. Divider function – Setup procedure



Alignment of Sensor

Sensor preparation

- 1) Mount the sensors at the conveyor at a position where the trailing edge of the target is detected just before it drops into the box.
- 2) Connect the sensor to an SCTL55 or IO-Link master.
- 3) Upload the IODD file in the SCTL55 or IO-Link Master.
- 4) Switch on the power to the sensor.
- 5) Restore the sensor to factory settings using the SCTL55 or IO-Link master.
- 6) Align the sensor so the light beam will detect the target.
- 7) Adjust the sensitivity on the sensor to get a reliable detection on the target.
(The yellow LED must light steady, and the green LED are ON indicating Stable ON and IO-Link Mode)

IO-Link parameter settings (see Data Range options in § 7.2.7.3.)

- 8) Select "Divider" in the SCTL55 or IO-Link master; Menu "Parameter" -> "Application Functions"
- 9) Enter the Counter value in the menu "Divider and Counter Setup" -> "Counter Limit" between 1 ... 65 535 (default value is 1)
- 10) If a preset value is needed this can be set in the menu "Divider and Counter" -> "Preset Counter value" between 0 ... 65 535 (default value is 0)

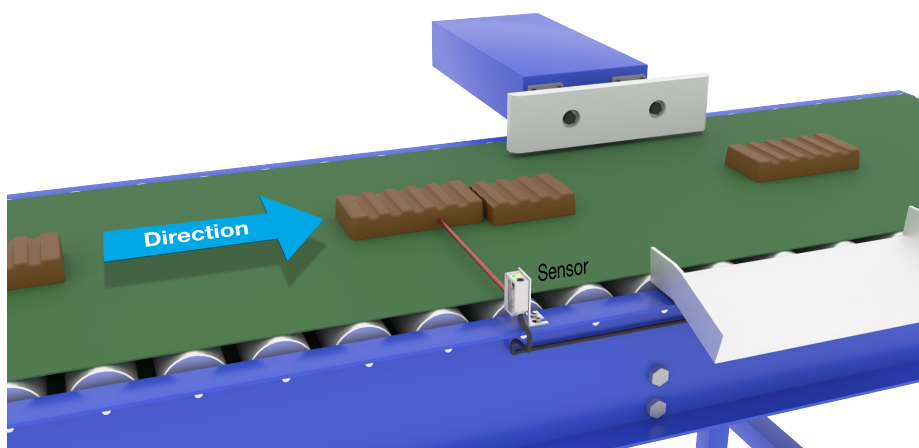
2.4.8.4. Object and Gap Monitoring

This function is designed to monitor that the length of an objects and the gap between the following object on a conveyor belt are within certain limits. The stand alone sensor gives a signal if the size of the object is too small, the objects overlap each other or if the gap between two objects are too small for the following processes.

2.4.8.4.1. Conditions

Only a single sensor is being used for this function.

2.4.8.4.2. Object and Gap Monitoring – Setup procedure



Alignment of Sensor

Sensor preparation

- 1) Mount the sensor at the conveyor at the required position.
- 2) Connect the sensor to an SCTL55 or IO-Link master.
- 3) Upload the IODD file in the SCTL55 or IO-Link Master.
- 4) Switch on the power to the sensor.
- 5) Restore the sensor to factory settings using the SCTL55 or IO-Link master.
- 6) Align the sensor so the light beam is aimed at the target to be detected.
- 7) Adjust the sensitivity on the sensor to get a reliable detection on the target.
(The yellow LED must light steady, and the green LED are ON indicating Stable ON and IO-Link Mode)

IO-Link parameter settings (see Data Range options in § 7.2.7.4.)

- 8) Select "Object and Gap monitoring" in the SCTL55 or IO-Link master; Menu "Parameter" -> "Application Functions".
- 9) Object time:
 - a) Enter the minimum time the target will be present in the menu "Object and Gap monitor" -> "Object minimum time" between 10 ... 60 000 ms (default value is 500) ms, e.g. 130 ms.
As a help the Object time can be read from the "Object and Gap monitor" -> "Object time".
 - b) Enter the maximum time the target will be present in the menu "Object and Gap monitor" -> "Object maximum time" between 10 ... 60 000 ms (default value is 500) ms, e.g. 150 ms.
As a help the Object time can be read from the "Object and Gap monitor" -> "Object time".
- 10) Gap time:
 - a) Enter the minimum time the gap will be present in the menu "Object and Gap monitor" -> "Gap minimum time" between 10 ... 60 000 ms (default value is 500) ms, e.g. 110 ms.
As a help the gap time can be read from the "Object and Gap monitor" -> "Gap time".

b) Enter the maximum time the Gap will be present in the menu "Object and Gap monitor" -> "Gap maximum time" between 10 ... 60 000 ms (default value is 500) ms, e.g. 130 ms.

As a help the gap time can be read from the "Object and Gap monitor" -> "Gap time".

11) The sensor is now ready to use.

12) The Parameter for Object length will toggle between: Measurement running and Inside limits, Time too long or, Time too short.

13) The Parameter for Gap length will toggle between: Measurement running and Inside limits, Time too long or, Time too short.

Standalone operation in SIO Mode

14) Disconnect the sensor from the SCTL55 or IO-Link master.

15) Output Pin 4 will activate if the object time is too long or too short.

16) Output Pin 2 will activate if the gap time is too long or too short.

NB! If the signals of both outputs are evaluated using a logical OR function, the output of this OR function can be used as a common error output for both Object and Gap.

2.5. Sensor Specific adjustable parameters

Besides the parameters directly related to output configuration, the sensor also have various internal parameters useful for setup and diagnostics.

2.5.1. Selection of local or remote adjustment

It is possible to select how to set the sensing distance by either selecting the "Trimmer Input" or "Teach-by-wire" using the external input of the sensor, or to disable the trimmer input by selecting "IO-Link Adjustment" to make the sensor tamperproof.

2.5.2. Trimmer data

Data range between 13 500 and 70 units equal to 100 ... 1 000 mm.

2.5.3. Process data configuration

When the sensor is operated in IO-Link mode, the user has access to the cyclic Process Data Variable.

By default the process data shows the following parameters as active: 16 bit Analogue value, Switching Output1 (SO1) and Switching Output 2 (SO2).

The following parameters are set as Inactive: SSC1, SSC2, DA1, DA2, TA, SC, WDA1, WDA2, AFO1.

However by changing the Process Data Configuration parameter, the user can decide to also enable the status of the inactive parameters. This way several states can be observed in the sensor at the same time.

NB! If Application functions are selected more options for "Analogue Values" can be selected in the Observation tab.

2.5.4. Sensor Measurement Selection

The sensor has 3 sensor precision presets, which can be selected depending on the environment:

- Default precision (Filter scaler fixed to 1)
- High precision (Filter scaler fixed to 10 - slow)
- Customized (Filter scaler can be set from 1-255)

Precision can be adjusted via parameter "Filter scaler". See 2.6.9.

2.5.5. Temperature alarm threshold

The temperature at which the temperature alarm will activate can be changed for the maximum and minimum temperature. This means that the sensor will give an alarm if the maximum or minimum temperature is exceeded. The temperatures can be set between -50 °C to +150 °C. The default factory settings are, Low threshold -30 °C and high threshold +120 °C.

2.5.6. Safe limits

The Safe limits can be set for the sensor in % of the SP1 and SP2 and can be set individually for SSC1 and SSC2. It is used for calculating a Stable ON or Stable OFF signals.

- Dust alarm: If the Safe limits are exceeded then the dust alarm is activated, see also Dust alarm description
- Water drop alarm: If the Safe limits are exceeded then the water drop alarm is activated, see also water drop alarm description.
- Auto Adjust: When the safe limits are reached for the auto adjust function it activates the alarm for cleaning the sensor face.
- The Green LED is also influenced by the Safe limits and can be used to set up the sensing distance manually adjusting until the LED lights Stable ON.

2.5.6.1. Stable ON

When the sensor detects a signal that are x % higher (set by Safe limits) than the value for which the output switches ON, then the sensor is stable ON.

2.5.6.2. Stable OFF

When the sensor detects a signal that are x % lower (set by Safe limits) than the value for which the outputs switches Off, then the sensor is stable OFF.

2.5.7. Event configuration

Temperature events transmitted over the IO-Link interface are turned off by default in the sensor. If the user wants to get information about critical temperatures detected in the sensor application, this parameter allows the following 4 events to be enabled or disabled:

- Temperature fault event: the sensor detects temperature outside the specified operating range.
- Temperature over-run: the sensor detects temperatures higher than those set in the Temperature Alarm threshold.
- Temperature under-run: the sensor detects temperatures lower than those set in the Temperature Alarm threshold.
- Short-circuit: the sensor detects if the sensor output is short-circuited.

2.5.8. Quality of run QoR

The Quality of run informs the user about the actual sensor performance, evaluating the following parameters: Maximum signal, Minimum signal, Hysteresis, SP and Safe Limits.

The value for QoR can vary from 0 ... 255 %.

The QoR value is updated for every detection cycle.

Examples of QoR is listed in the table below.

Quality of Run values	Explanation
> 150%	Excellent sensing conditions, the sensor is not expected to require maintenance in the near future.
100%	Good sensing conditions, the sensor performs as well as when the setpoints were taught or set-up manually with a safety margin of twice the standard hysteresis. <ul style="list-style-type: none"> • Long term reliability is expected under all environmental conditions. • Maintenance is not expected to be required.
50%	Average sensing conditions <ul style="list-style-type: none"> • Due to environmental conditions, the reliability of the measurement values is reduced and maintenance is required in order to improve the detection behavior. • If the environmental conditions remain stable, reliable detection can be expected for the near future.
0%	Unreliable sensing conditions, sensor does not work correctly, immediate maintenance required.

2.5.9. Quality of Teach QoT

The quality of Teach value lets the user know how well the actually the teach procedure was carried out, evaluating the relation between the following parameters: TP2, TP1, Hysteresis and Safe Limits.

The value for QoT can vary from 0 ... 255 %.

The QoT value is updated after every Teach procedure.

Examples of QoT are listed in the table below.

Quality of Teach values	Explanation
> 150%	Excellent teach conditions, the sensor is not expected to require maintenance in the near future.
100%	Good teach conditions, the sensor has been taught with the safe limits set at standard safe limits: <ul style="list-style-type: none"> • Long term reliability is expected under all environmental conditions. • Maintenance is not expected to be required.
50%	Average teach conditions. <ul style="list-style-type: none"> • The environmental conditions do not allow reliable detection for a longer period. Maintenance should be carried out in the near future. • If the environmental conditions remain stable, reliable detection can be expected for the near future.
0%	Poor teach result. <ul style="list-style-type: none"> • Poor sensing conditions for reliable detection. (e.g. too small measuring margin between the target and the surroundings).

2.5.10. Excess Gain

The Excess Gain value describe the ratio of the light received by the photoelectric sensor to the light required to operate the sensor.

The Excess gain value can be found in the Diagnostic tab of the SCTL55 or IO-Link master.

$$\text{Excess Gain} = \frac{\text{Light received by the sensor}}{\text{Light required to switch the output}}$$

2.5.11. Filter Scaler

This function can increase the immunity towards unstable targets and electromagnetic disturbances: Its value can be set from 1 to 255, the default factory setting is 1. The filter functions as a moving average. This means that a filter setting of 1 gives the maximum sensing frequency and a setting of 255 gives the minimum sensing frequency.

2.5.12. Mutual interference

In an optimal installation the sensors must be installed so they do not interfere with each other, however in some cases that is not possible, so the mutual interference protection function can be used. Using this function will increase the immunity significantly however it will also have a negative impact on the sensing speed. When the filter is activated, the sensor analyses the received signals and try to filter out interfering pulses.

1. sensor mode: is to be used where the sensor is disturbed by a foreign sensor, strong flashlight or a strong modulated light source e.g. LED lights.
The response time is increased 5 times
2. sensor mode: is to be used if two identical sensors are interfering each other.
The response time is increased 5 ... 6 times
3. sensor mode: is to be used if three identical sensors are interfering each other.
The response time is increased 5 ... 7 times

2.5.13. LED indication

The LED indication can be configured in 3 different modes: Inactive, Active or Find my sensor.

Inactive: The LEDs are turned off at all times

Active: The LEDs follow the indication scheme in 5.1.

Find my sensor: The LEDs are flashing alternating with 2Hz with 50% duty cycle in order to easily locate the sensor.

2.5.14. Hysteresis mode

See 2.4.1.3.Hysteresis Settings

2.5.15. Auto hysteresis value

See 2.4.1.3.Hysteresis Settings

2.6. Teach procedure by use of SCTL55 or an IO-Link master

The setpoints can be set-up using a teach procedure, this ensures that the setpoints are set at an optimal value taking into consideration safe limits and hysteresis.

2.6.1. External Teach (Teach-by-wire)

NB! This function works in Single point Mode, and only for SP1 in SSC1.

The Teach by wire function must be selected first using the SCTL55 or an IO-link master:

- Select "Teach in" in "Channel 2 (SO2)" -> "Channel 2 Setup.Stage Mode".
- Select "Single point mode" in "Switching signal channel1" -> "SSC1 Configuration.Mode".
- Select "Teach by wire" in "SSC1 Single Point" -> "Selection of local/remote adjustment".

Teach-by-wire procedure.

- Place target in front of sensor.
- Connect Teach wire input (Pin 2 white wire) to V+ (Pin 1 brown wire).
Yellow led start to flash with 1Hz (10% on), indicating that Teach is running.
- After 3-6 sec Teach window is open. Here flash pattern changes to 90% on. Release white wire.
- If Teach is done successfully, yellow led makes 4 flash (2Hz, 50%).
- The new taught setpoint can be found in "SSC1 Single Point" -> "Setpoint" -> "SSC1 Parameter.Set Point 1".
If Teach fails or is suspended, sensor will exit Teach mode.

NB: If white wire is released outside the Teach window, teach is suspended.

If white wire is not released within 10 sec., teach is suspended (timeout indicated by a number of fast yellow flash (5Hz, 50%)).

2.6.2. Teach from IO-Link Master or Smart configurator (SCTL55)

- Select SSC1 or SSC2 configuration mode:

SSC1: Select: "Single point", "Window" or "Two Point" in "Switching signal channel1" -> "SSC1 Configuration.Mode".

NB! If "Single point" is selected, then "IO-Link adjustment" must be chosen in "SSC1 Single Point" -> "Selection of local/remote adjustment"

SSC2: Select: "Single point", "Window" or "Two Point" in "Switching signal channel2" -> "SSC2 Configuration.Mode".

- Select channel to be taught e.g. "Switching signal channel 1" or "Switching signal channel 2" in "Teach-in" -> "Teach-in,Select".

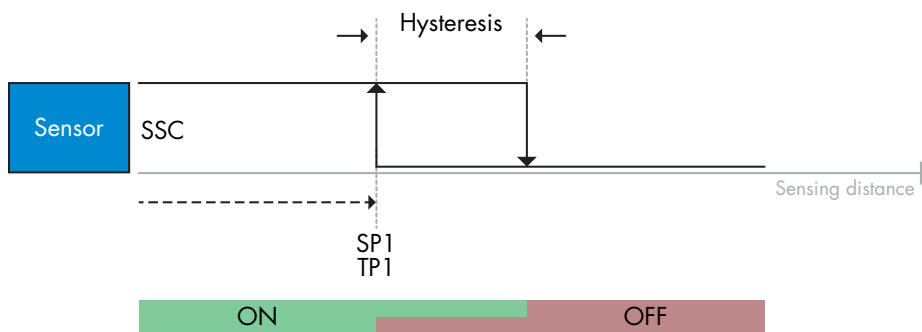
2.6.2.1. Single point mode procedure

1) Single value teach command sequence:

Single value teach command sequence.

(Buttons are found in: "Teach-in SSC1" or "Teach-in SSC2" -> "Teach in single value SSC1" or "Teach-in single value SSC2").

- Place the target in front of the sensor.
- Press "Teach SP1".
- Teach-in result is shown in "Teach-in Result. -> Teach-in State" e.g. "SUCCESS".
- QoT is shown in "Quality of Teach" e.g. 100%.



2) Dynamic teach command sequence

Dynamic teach for Single value teach command sequence

(Buttons are found in: "Teach-in SSC1" or "Teach-in SSC2" -> "Teach in dynamic SSC1" or "Teach-in dynamic SSC2")

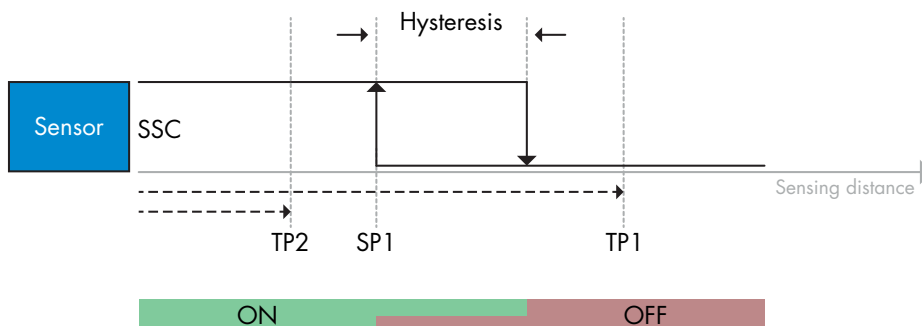
1. Press "Teach SP1 Start".
2. Move the target in and out of the detecting zone, at slightly different positions, in front of the sensor.
3. Press "Teach SP1 Stop"
4. Teach-in result is shown in "Teach-in Result. -> Teach-in State" e.g. "SUCCESSSS"
5. QoT is shown in "Quality of Teach" e.g. 150 %

3) Two value teach command sequence

Two Value teach for SP1

(Buttons are found in: "Teach-in SSC1" or "Teach-in SSC2" -> "Teach-in Two value SSC1" or "Teach-in Two value SSC2")

1. Move the target to the position for SP1 TP1
 - A. Press "Teach SP1 TP1"
 - B. "Teach-in Result.TeachPoint 1 of Set Point 1" = e.g. "OK"
 - C. Teach-in Result.Teach-in state = e.g. "WAIT FOR COMMAND"
2. Move the target to the position for SP1 TP2
 - A. Press "Teach SP1 TP2".
 - B. Teach-in Result.TeachPoint 2 of Set Point 1" = e.g. "OK"
 - C. Teach-in Result. -> Teach-in State e.g. "SUCCESSSS"
3. QoT is shown in "Quality of Teach" e.g. 150 %

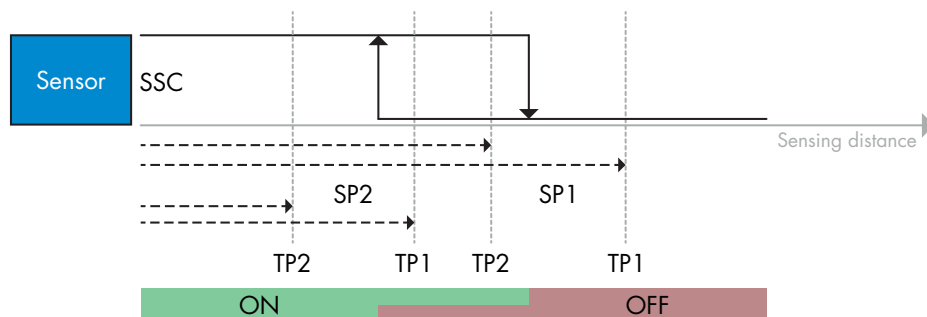


2.6.2.2. Two point mode procedure

1) Two value teach command sequence:

Buttons are found in menu: "Teach-in SSC1" or "Teach in SSC2" -> "Teach-in Two value SSC1" or "Teach-in Two value SSC2"

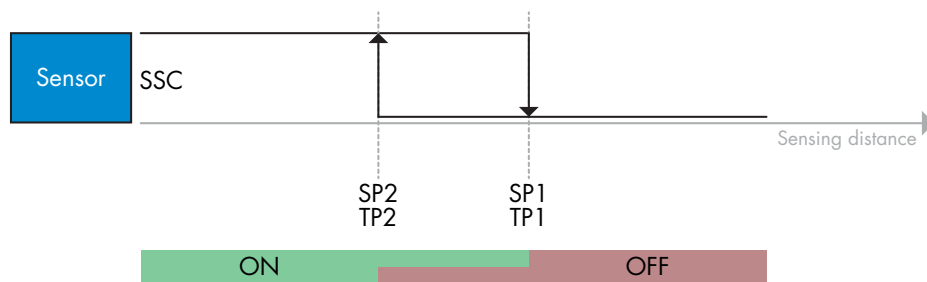
1. Move the target to the position for SP1 TP1
 - A. Press "Teach SP1 TP1"
 - B. "Teash-in Result.TeachPoint 1 of Set Point 1" = e.g. "OK"
 - C. Teach-in Result.Teach-in state = e.g. "WAIT FOR COMMAND"
2. Move the target to the position for SP1 TP2
 - A. Press "Teach SP1 TP2"
 - B. "Teash-in Result.TeachPoint 2 of Set Point 1" = e.g. "OK"
 - C. Teach-in Result.Teach-in state = e.g. "WAIT FOR COMMAND"
3. Move the target to the position for SP2 TP1
 - A. Press "Teach SP2 TP1"
 - B. "Teash-in Result.TeachPoint 1 of Set Point 2" = e.g. "OK"
 - C. Teach-in Result.Teach-in state = e.g. "WAIT FOR COMMAND"
4. Move the target to the position for SP2 TP2
 - A. Press "Teach SP2 TP2"
 - B. "Teash-in Result.TeachPoint 2 of Set Point 2" = e.g. "OK"
 - C. Teach-in Result.Teach-in state = e.g. "WAIT FOR COMMAND"
5. Press Teach Apply
 - A. Teach-in Result.Teach-in state = e.g. "Success"
6. QoT is shown in "Quality of Teach" e.g. 100 %



2) Dynamic teach command sequence:

Buttons are found in menu: "Teach-in Dynamic SSC1" or "Teach-in Dynamic SSC2" -> "Teach-in"

1. Move the target to the position for SP1
 - A. Press "Teach SP1 Start "
 - B. Teach-in Result.Teach-in state = e.g. "WAIT FOR COMMAND"
 - C. Press "Teach SP1 Stop "
 - D. Teach-in Result.Teach-in state = e.g. "WAIT FOR COMMAND"
2. Move the target to the position for SP2
 - A. Press "Teach SP2 Start "
 - B. Teach-in Result.Teach-in state = e.g. "WAIT FOR COMMAND"
 - C. Press "Teach SP2 Stop "
 - D. Teach-in Result.Teach-in state = e.g. "WAIT FOR COMMAND"
3. Teach-in Result.Teach-in state = e.g. "SUCCESS"
4. QoT is shown in "Quality of Teach" e.g. 100 %

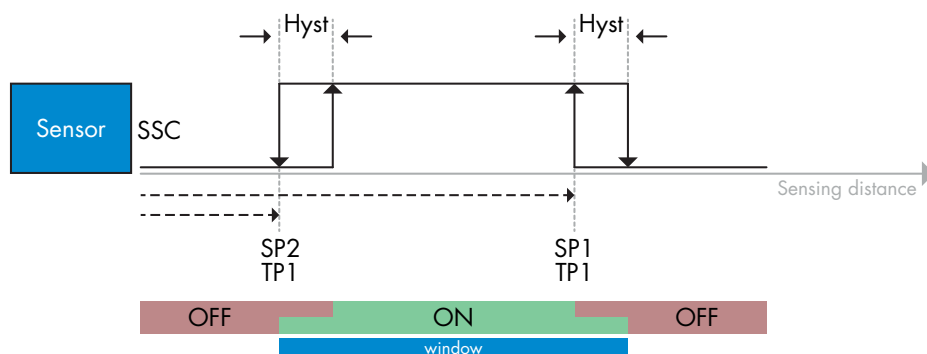


2.6.2.3. Windows mode procedure

1) Single value teach command sequence:

Buttons are found in menu: "Teach-in SSC1" or "Teach in SSC2" -> "Teach-in Single value SSC1" or "Teach-in Single value SSC2"

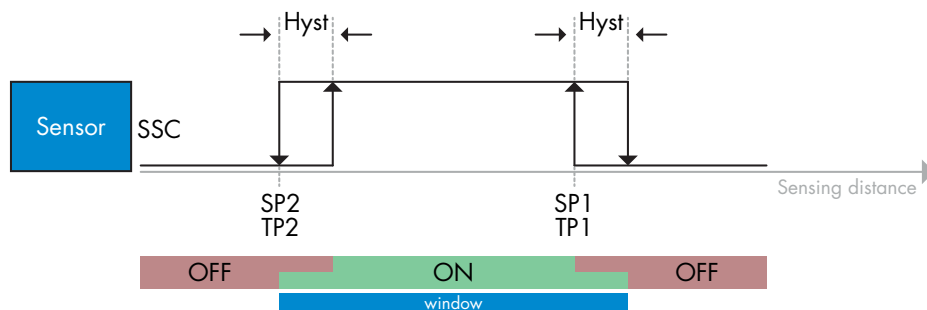
1. Move the target to the position for SP1
 - A. Press "Teach SP1"
 - B. Teach-in Result. Teach-in state = e.g. "WAIT FOR COMMAND"
2. Move the target to the position for SP2
 - A. Press "Teach SP2"
 - B. Teach-in Result. Teach-in state = e.g. "SUCCESS"
3. QoT is shown in "Quality of Teach" e.g. 255 %



2) Dynamic teach command sequence:

Buttons are found in menu: "Teach-in SSC1" or "Teach-in SSC2" -> "Teach in Dynamic SSC1" or "Teach in Dynamic SSC2"

1. Move the target to the position for SP1
 - A. Press "Teach SP1 Start"
 - B. Teach-in Result.Teach-in state = e.g. "WAIT FOR COMMAND"
 - C. Press "Teach SP1 Stop"
 - D. Teach-in Result.Teach-in state = e.g. "WAIT FOR COMMAND"
2. Move the target to the position for SP2
 - A. Press "Teach SP2 Start"
 - B. Teach-in Result.Teach-in state = e.g. "WAIT FOR COMMAND"
 - C. Press "Teach SP2 Stop"
 - D. Teach-in Result.Teach-in state = e.g. "SUCCESS"
3. QoT is shown in "Quality of Teach" e.g. 100 %



2.7. Diagnostic parameters

2.7.1. Operating hours

The sensor has a built-in counter that logs every hour in which the sensor has been operational. The actual number of operating hours can be read through the SCTL55 or an IO-Link master.

2.7.2. Number of power cycles [cycles]

The sensor has a built-in counter that logs every time the sensor has been powered-up. The value is saved every hour. The actual number of power cycles is recorded and can be read through the SCTL55 or an IO-Link master.

2.7.3. Maximum temperature – all time high [°C]

The sensor has a built-in function that logs the highest temperature that the sensor has been exposed to during its full operational lifetime. This parameter is updated once per hour and can be read through the SCTL55 or an IO-Link master.

2.7.4. Minimum temperature – all time low [°C]

The sensor has a built-in function that logs the lowest temperature that the sensor has been exposed to during its full operational lifetime. This parameter is updated once per hour and can be read through the SCTL55 or an IO-Link master.

2.7.5. Maximum temperature since last power-up [°C]

From this parameter the user can get information about what the maximum registered temperature has been since start-up. This value is not saved in the sensor, however it can be read through the SCTL55 or an IO-Link master.

2.7.6. Minimum temperature since last power-up [°C]

From this parameter the user can get information about what the minimum registered temperature has been since start-up. This value is not saved in the sensor, however it can be read through the SCTL55 or an IO-Link master.

2.7.7. Current temperature [°C]

From this parameter the user can get information about the current temperature of the sensor. The Temperature can be read through the SCTL55 or an IO-Link master.

2.7.8. Detection counter [cycles]

The sensor logs every time the SSC1 changes state. This parameter is updated once per hour and can be read through the SCTL55 or an IO-Link master.

2.7.9. Minutes above maximum temperature [min]

The sensor logs how many minutes the sensor has been operational above the maximum temperature. The maximum number of minutes to be recorded is 2 147 483 647. This parameter is updated once per hour and can be read through the SCTL55 or an IO-Link master.

2.7.10. Minutes below minimum temperature [min]

The sensor logs how many minutes the sensor has been operational below the minimum temperature. The maximum number of minutes to be recorded is 2 147 483 647. This parameter is updated once per hour and can be read through the SCTL55 or an IO-Link master.

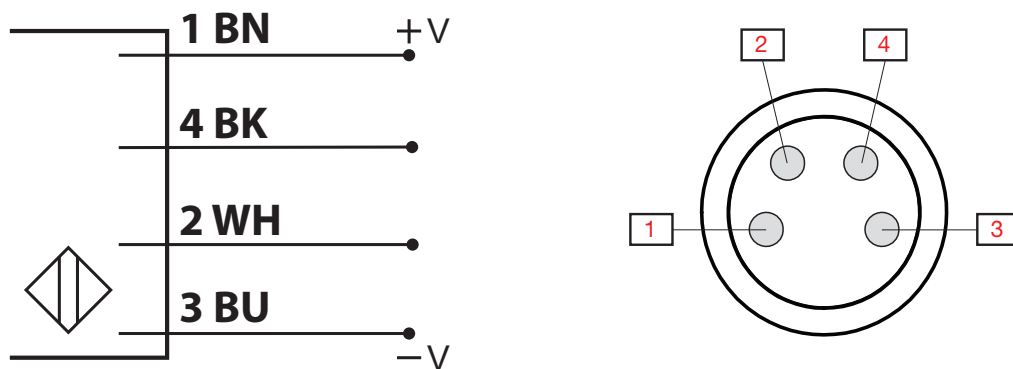
2.7.11. Download counter

The sensor logs how many times its parameters have been changed. The maximum number of changes to be recorded is 65 536. This parameter is updated once per hour and can be read through the SCTL55 or an IO-Link master.

NOTE!

The temperature measured by the sensor will always be higher than the ambient temperature, due to internal heating.

The difference between ambient temperature and internal temperature is influenced by how the sensor is installed in the application. If the sensor is installed in a metal bracket the difference will be lower than if the sensor is mounted in a plastic one.

3. Wiring diagrams

PIN	Color	Signal	Description
1	Brown	10 ... 30 VDC	Sensor Supply
2	White	Load	Output 2 / SIO mode / External input / External Teach
3	Blue	GND	Ground
4	Black	Load	IO-Link /Output 1 /SIO mode

4. Commissioning

150 ms after the power supply is switched on, the sensor will be operational.

If it is connected to an IO-link master, no additional setting is needed and the IO-Link communication will start automatically after the IO-Link master sends a wake-up request to the sensor.

5. Operation

5.1. User interface of PD30ETDx10BPxxIO

PD30ETDx10BPxxIO sensors are equipped with one yellow and one green LED.

SIO and IO-Link mode			
Green LED	Yellow LED	Power	Detection
● ON	● OFF	ON	OFF (stable) SSC1
● OFF	● OFF	ON	OFF (Not stable) SSC1 or LEDs disabled
● OFF	● ON	ON	ON (Not stable) SSC1
● ON	● ON	ON	ON (stable) SSC1
● OFF	● OFF	OFF	Power not connected
-	● Flashing 10 Hz 50% dutycycle	ON	Output short-circuit
-	Flashing 0.5...20 Hz ● 50% dutycycle	ON	Timer triggered indication
SIO mode only			
-	● Flashing 1 Hz ON 100 ms OFF 900 ms	ON	External teach by wire. Only for single point mode
-	● Flashing 1 Hz ON 900 ms OFF 100 ms	ON	Teach time window (3 - 6 sec)
-	● Flashing 10 Hz ON 50 ms OFF 50 ms Flashing for 2 sec	ON	Teach time out (12 sec)
-	● Flashing 2 Hz ON 250 ms OFF 250 ms Flashing for 2 sec	ON	Teach successful
IO-Link mode only			
● Flashing 1 Hz ON 900 ms OFF 100 ms	● OFF	ON	Sensor is in IO-Link mode and SSC1 is stable
● Flashing 1 Hz ON 100 ms OFF 900 ms	● ON	ON	Sensor is in IO-Link mode and SSC1 is not stable
● ● Flashing 2 Hz 50% dutycycle		ON	Find my sensor

6. IODD file and factory setting

6.1. IODD file of an IO-Link device

All features, device parameters and setting values of the sensor are collected in a file called I/O Device Description (IODD file). The IODD file is needed in order to establish communication between the SCTL55 or the IO-Link master and the sensor. Every supplier of an IO-Link device has to supply this file and make it available for download on their web site.

The IODD file includes:

- process and diagnostic data
- parameters description with the name, the allowed range, type of data and address (index and sub-index)
- communication properties, including the minimum cycle time of the device
- device identity, article number, picture of the device and Logo of the manufacturer

An IODD file is available on IODD Finder as well as on the Carlo Gavazzi Website:

<http://gavazziautomation.com>

6.2. Factory settings

The Default factory settings are listed in appendix 7 under default values.

7. Appendix

7.1. Acronyms

IntegerT	Signed Integer
OctetStringT	Array of Octets
PDV	Process Data Variable
R/W	Read and Write
RO	Read Only
SO	Switching Output
SP	Set Point
TP	Teach Point
SSC	Switching Signal Channel
StringT	String of ASCII characters
TA	Temperature Alarm
UIntegerT	Unsigned Integer
WO	Write Only
SC	Short circuit
DA	Dust alarm
WDA	Water drop alarm
AFO1	Application Function Output 1

7.2. IO-Link Device Parameters for PD30ETD IO-Link

7.2.1. Device Identification

Parameter Name	Index Dec (Hex)	Access	Default value	Data range	Data Type	Length
Vendor Name	16 (0x10)	RO	Carlo Gavazzi	-	StringT	20 Byte
Vendor Text	17 (0x11)	RO	www.gavazziautomation.com	-	StringT	34 Byte
Product Name	18 (0x12)	RO	(Sensor name) e.g. PD30ETDI10BPA2IO	-	StringT	20 Byte
Product ID	19 (0x13)	RO	(EAN code of product) e.g. 5709870394046	-	StringT	13 Byte
Product Text	20 (0x14)	RO	e.g. Photoelectric Sensor, Diffuse Reflective, Red Light Emitter, 1000 mm, Stainless Steel Housing, IO-Link	-	StringT	30 Byte
Serial Number	21 (0x15)	RO	(Unique serial number) e.g. 20210315C0001	-	StringT	13 Byte
Hardware Revision	22 (0x16)	RO	e.g. V01.00	-	StringT	6 Byte
Firmware Revision	23 (0x17)	RO	e.g. V01.00	-	StringT	6 Byte
Application Specific Tag	24 (0x18)	R/W	***	Any string up to 32 characters	StringT	max 32 Byte
Function Tag	25 (0x19)	R/W	***	Any string up to 32 characters	StringT	max 32 Byte
Location Tag	26 (0x1A)	R/W	***	Any string up to 32 characters	StringT	max 32 Byte
Process-DataInput	40 (0x28)	RO	-	-	IntegerT	32 bit

7.2.2. Observation

Parameter Name	Index Dec (Hex)	Access	Default value	Data range	Data Type	Length
Process data configuration	70 (0x46)	R/W	-	-	-	-
Analogue value	1 (0x01)	R/W	1 = Normal	0 = Inactive 1 = Normal 2 = Object Length 3 = Object Speed 4 = Counter Value	RecordT	16 bit
Switching Output 1	2(0x02)	R/W	1 = Switching Output 1 Active	0 = Switching Output 1 Inactive 1 = Switching Output 1 Active	RecordT	16 bit
Switching Output 2	3 (0x03)	R/W	1 = Switching Output 2 Active	0 = Switching Output 2 Inactive 1 = Switching Output 2 Active	RecordT	16 bit
Switching Signal Channel 1	4 (0x04)	R/W	0 = SSC1 Inactive	0 = SSC1 Inactive 1 = SSC1 Active	RecordT	16 bit
Switching Signal Channel 2	5 (0x05)	R/W	0 = SSC2 Inactive	0 = SSC2 Inactive 1 = SSC2 Active	RecordT	16 bit
Dust alarm 1	6 (0x06)	R/W	0 = DA1 Inactive	0 = DA1 Inactive 1 = DA1 Active	RecordT	16 bit
Dust alarm 2	7 (0x07)	R/W	0 = DA2 Inactive	0 = DA2 Inactive 1 = DA2 Active	RecordT	16 bit
Temperature alarm	8 (0x08)	R/W	0 = TA Inactive	0 = TA Inactive 1 = TA Active	RecordT	16 bit
Short-circuit	9 (0x09)	R/W	0 = SC Inactive	0 = SC Inactive 1 = SC Active	RecordT	16 bit
Water drop alarm 1	10 (0x10)	R/W	0 = WDA1 Inactive	0 = WDA1 Inactive 1 = WDA1 Active	RecordT	16 bit
Water drop alarm 2	11 (0x11)	R/W	0 = WDA2 Inactive	0 = WDA2 Inactive 1 = WDA2 Active	RecordT	16 bit
Application Function Output 1	12 (0x12)	R/W	0 = AFO1 Inactive	0 = AFO1 Inactive 1 = AFO1 Active	RecordT	16 bit

7.2.3. SSC parameters

Parameter Name	Index Dec (Hex)	Access	Default value	Data range	Data Type	Length
Teach-In Select	58 (0x3A)	RW	1 = SSC1	0 = No Channel Selected 1 = SSC1 (Switching Signal Channel 1) 2 = SSC2 (Switching Signal Channel 2)	UIntegerT	8 bit
Teach-In Result	59 (0x3B)	-	-	-	-	-
Teach-in State	1 (0x01)	RO	0 = Idle	0 = Idle 1 = Success 4 = Wait for command 5 = Busy 7 = Error	RecordT	8 bit
TP1 (Teach Point 1) of SP1 (Set point 1)	2 (0x02)	RO	0 = Not OK	0 = Not OK 1 = OK	RecordT	8 bit
TP2 (Teach Point 2) of SP1 (Set point 1)	3 (0x03)	RO	0 = Not OK	0 = Not OK 1 = OK	RecordT	8 bit
TP1 (Teach Point 1) of SP2 (Set point 2)	4 (0x04)	RO	0 = Not OK	0 = Not OK 1 = OK	RecordT	8 bit
TP2 (Teach Point 2) of SP2 (Set point 2)	5 (0x05)	RO	0 = Not OK	0 = Not OK 1 = OK	RecordT	8 bit
SSC1 Parameter (Switching Signal Channel 1)	60 (0x3C)	-	-	-	-	-
Set point 1 (SP1)	1 (0x01)	R/W	100	0 ... 13 500	IntegerT	16 bit
Set point 2 (SP2)	2 (0x02)	R/W	13 500	0 ... 13 500	IntegerT	16 bit
SSC1 Configuration (Switching Signal Channel 1)	61 (0x3D)	-	-	-	-	-
Switching Logic	1 (0x01)	R/W	0 = High active	0 = High active 1 = Low active	UIntegerT	8 bit
Mode	2 (0x02)	R/W	1 = Single Point	0 = Deactivated 1 = Single Point 2 = Window 3 = Two Point	UIntegerT	8 bit
Hysteresis	3 (0x03)	R/W	25%	5 ... 99%	UIntegerT	16 bit
SSC2 Parameter (Switching Signal Channel 2)	62 (0x3E)	-	-	-	-	-
Set point 1 (SP1)	1 (0x01)	R/W	100	0 ... 13 500	IntegerT	16 bit
Set point 2 (SP2)	2 (0x02)	R/W	13 500	0 ... 13 500	IntegerT	16 bit
SSC2 Configuration (Switching Signal Channel 2)	63 (0x3F)	-	-	-	-	-
Switching Logic	1 (0x01)	R/W	0 = High active	0 = High active 1 = Low active	UIntegerT	8 bit
Mode	2 (0x02)	R/W	0 = Deactivated	0 = Deactivated 1 = Single Point 2 = Window 3 = Two Point	UIntegerT	8 bit
Hysteresis	3 (0x03)	R/W	25%	5 ... 99%	UIntegerT	16 bit

7.2.4. Output Parameters

Parameter Name	Index Dec (Hex)	Access	Default value	Data range	Data Type	Length
Channel 1 Setup (S01)	64 (0x40)	-	-	-	-	-
Stage Mode	1 (0x01)	R/W	1 = PNP output	0 = Disabled output 1 = PNP output 2 = NPN output 3 = Push-pull output	UIntegerT	8 bit
Input selector 1	2 (0x02)	R/W	1 = SSC 1	0 = Deactivated 1 = SSC 1 2 = SSC 2 3 = Dust Alarm 1 (DA1) 4 = Dust alarm 2 (DA2) 5 = Temperature Alarm (TA) 6 = External logic input 7 = Application Functions	UIntegerT	8 bit
Timer Mode	3 (0x03)	R/W	0 = Disabled timer	0 = Disabled timer 1 = T-on delay 2 = T-off delay 3 = T-on/T-off delay 4 = One-shot leading edge 5 = One-shot trailing edge	UIntegerT	8 bit
Timer Scale	4 (0x04)	R/W	0 = Milliseconds	0 = Milliseconds 1 = Seconds 2 = Minutes	UIntegerT	8 bit
Timer Value	5 (0x05)	R/W	0	0 ... 32 767	IntegerT	16 bit
Logic function	7 (0x07)	R/W	0 = Direct	0 = Direct 1 = AND 2 = OR 3 = XOR 4 = Set-reset Flip-Flop	UIntegerT	8 bit
Output Inverter	8 (0x08)	R/W	0 = Not inverted (Normally Open)	0 = Not inverted (Normally Open) 1 = Inverted (Normally Closed)	UIntegerT	8 bit
Channel 2 Setup (S02)	65 (0x41)	-	-	-	-	-
Stage Mode	1 (0x01)	R/W	1 = PNP output	0 = Disabled output 1 = PNP output 2 = NPN output 3 = Push-Pull 4 = Digital logic input (Active high/ Pull-down) 5 = Digital logic input (Active low/ Pull-up) 6 = Teach-in (Active high)	UIntegerT	8 bit
Input selector 2	2 (0x02)	R/W	1 = SSC 1	0 = Deactivated 1 = SSC 1 2 = SSC 2 3 = Dust Alarm 1 (DA1) 4 = Dust alarm 2 (DA2) 5 = Temperature Alarm (TA) 6 = External logic input 7 = Application Functions	UIntegerT	8 bit
Timer Mode	3 (0x03)	R/W	0 = Disabled timer	0 = Disabled timer 1 = T-on delay 2 = T-off delay 3 = T-on/T-off delay 4 = One-shot leading edge 5 = One-shot trailing edge	UIntegerT	8 bit
Timer Scale	4 (0x04)	R/W	0 = Milliseconds	0 = Milliseconds 1 = Seconds 2 = Minutes	UIntegerT	8 bit
Timer Value	5 (0x05)	R/W	0	0 ... 32 767	IntegerT	16 bit
Logic function	7 (0x07)	R/W	0 = Direct	0 = Direct 1 = AND 2 = OR 3 = XOR 4 = Set-reset Flip-Flop	UIntegerT	8 bit
Output Inverter	8 (0x08)	R/W	1 = Inverted (Normally Closed)	0 = Not inverted (Normally Open) 1 = Inverted (Normally Closed)	UIntegerT	8 bit

7.2.5. Sensor specific adjustable parameters

Parameter Name	Index Dec (Hex)	Access	Default value	Data range	Data Type	Length
Selection of local/remote adjustment	68 (0x44)	R/W	1 = Trimmer input	0 = IO-Link adjust 1 = Trimmer input 2 = Teach-by-wire	UIntegerT	8 bit
SP1 Trimmer value	69 (0x45)	RO	70	70 ... 13 500	UIntegerT	16 bit
Sensor Filter pre-set	71 (0x47)	R/W	0 = Default precision	0 = Default precision 1 = High precision 2 = Customized (filter scaler)	UIntegerT	8 bit
Temperature Alarm Threshold	72 (0x48)	-	-	-	-	-
High Threshold	1 (0x01)	R/W	70°C	-30 ... 70°C	IntegerT	16 bit
Low Threshold	2 (0x02)	R/W	-20°C	-30 ... 70°C	IntegerT	16 bit
Safe limits	73 (0x49)	-	-	-	-	-
SSC 1 - Safe limit	1 (0x01)	R/W	20%	1 ... 100%	IntegerT	8 bit
SSC 2 - Safe limit	2 (0x02)	R/W	20%	1 ... 100%	IntegerT	8 bit
Filter scaler	77 (0x4D)	R/W	1	1 ... 255	UIntegerT	8 bit
LED indication	78 (0x4E)	R/W	1 = LED indication Active	0 = LED indication Inactive 1 = LED indication Active 2 = Find my sensor	UIntegerT	8 bit
Hysteresis Mode	80 (0x50)	R/W	0 = Hysteresis set manually	0 = Hysteresis set manually 1 = Hysteresis set automatically	UIntegerT	8 bit
SSC1 Auto hysteresis value	81 (0x51)	-	-	-	-	-
AutoHysteresisValueSP1	1 (0x01)	RO	-	5 ... 99%	UIntegerT	16 bit
AutoHysteresisValueSP2	2 (0x02)	RO	-	5 ... 99%	UIntegerT	16 bit
Mutual interference protection	84 (0x54)	R/W	0 = Off	0 = Off 1 = 1sensor mode 2 = 2sensor - sensor1 3 = 2sensor - sensor2 4 = 3sensor - sensor1 5 = 3sensor - sensor2 6 = 3sensor - sensor3	UInteger	8 bit

7.2.6. Auto Adjust

Parameter Name	Index Dec (Hex)	Access	Default value	Data range	Data Type	Length
Auto Adjust setup	85 (0x54)	-	-	-	-	-
Auto Adjust setup	1 (0x01)	R/W	0 = Auto Adjust Inactive	0 = Auto Adjust Inactive 1 = Auto Adjust Active	UIntegerT	8 bit
Adjust Window Size	2 (0x02)	R/W	20%	5 ... 50%	UIntegerT	8 bit
Resolution Size	3 (0x03)	R/W	50%	5 ... 100%	UIntegerT	8 bit
Corrected Setpoints	86 (0x56)	-	-	-	-	-
SSC1	4 (0x04)	RO	100	0 ... 13 500	UIntegerT	16 bit
SSC2	5 (0x05)	RO	100	0 ... 13 500	UIntegerT	16 bit

7.2.7. Application Function

Parameter Name	Index Dec (Hex)	Access	Default value	Data range	Data Type	Length
Application Function Selector	88 (0x58)	RO	0 = No application function selected	0 = No application function selected 1 = Speed and Length 2 = Pattern Recognition 3 = Divider 4 = Object and Gap Monitoring	UIntegerT	8 bit

7.2.7.1. Speed and Length

Parameter Name	Index Dec (Hex)	Access	Default value	Data range	Data Type	Length
Setup	89 (0x59)	-	-	-	-	-
SensorMode	1 (0x01)	R/W	0 = No Role selected	0 = No Role selected 1 = Trigger Sensor 2 = Main Sensor	UIntegerT	8 bit
Distance between sensors	2 (0x02)	R/W	100 mm	25 ... 150 mm	UIntegerT	8 bit
Results	90 (0x5A)	-	-	-	-	-
Object Speed	1 (0x01)	RO	-	0 ... 2 000 mm/sec	UIntegerT	16 bit
Object length	2 (0x02)	RO	-	25 ... 60 000 mm	UIntegerT	16 bit
Status	3 (0x03)	RO	0 = IDLE	0 = IDLE 1 = Measurement Running 2 = Speed too High 3 = Timeout 4 = Object too Long 5 = Logic Fail	UIntegerT	8 bit

7.2.7.2. Pattern Recognition

Parameter Name	Index Dec (Hex)	Access	Default value	Data range	Data Type	Length
Pattern Recognition Setup	91 (0x5B)	-	-	-	-	-
TimeOut	1 (0x01)	R/W	60 sec	1 ... 60 sec	UIntegerT	8 bit
Tolerance	2 (0x02)	R/W	50 %	1 ... 200 %	UIntegerT	8 bit
Sensor Role	3 (0x03)	R/W	0 = No role selected	0 = No role selected 1 = Trigger Sensor 2 = Main Sensor	UIntegerT	8 bit
Pattern Recognition Result	92 (0x5C)	-	-	-	-	-
Reference pattern	1 (0x01)	RO	0 = Not Saved	0 = Not Saved 1 = Saved	UIntegerT	8 bit
Reference pattern No of Edges	2 (0x02)	RO	0	0 ... 20	UIntegerT	8 bit
No of Edges Last Pattern	3 (0x03)	RO	0	0 ... 20	UIntegerT	8 bit
Pattern Recognition Status	4 (0x04)	RO	0 = IDLE	0 = IDLE 1 = Measurement running 2 = Pattern Match 3 = Timeout 4 = Too many Edges 5 = EDGE count ERROR 6 = EDGE timing ERROR	UIntegerT	8 bit

7.2.7.2. Pattern Recognition (cont)

Parameter Name	Index Dec (Hex)	Access	Default value	Data range	Data Type	Length
Observation Menu						
Pattern recognition	97 (0x61)	-	-	-	-	-
Timestamp 1 ... 20	1 ... 20 (0x01 ... 14)	R/W	0	Time stamp for each event [ms]. Relative to start (time 0)	UIntegerT	16 bit
Pattern Timestamp 1 ... 20	21 ... 40 (0x15 ... 28)	R/W	0 = No Edge	0 = No Edge 1 = Positive Edge 2 = Negative Edge	UIntegerT	8 bit
Object Time Length	41 (0x29)	R/W	0 ms	0 ... 65 535 ms	UIntegerT	16 bit
Reference pattern	42 (0x2A)	R/W	0 = Not Saved	0 = Not Saved 1 = Saved	UIntegerT	8 bit
Reference pattern No of Edges	43 (0x2B)	R/W	0	0 ... 20	UIntegerT	8 bit

7.2.7.3. Divider

Parameter Name	Index Dec (Hex)	Access	Default value	Data range	Data Type	Length
Divider and counter Setup	93 (0x5D)	-	-	-	-	-
Counter limit	1 (0x01)	R/W	5	1 ... 65 535	UIntegerT	16 bit
Preset counter value	2 (0x02)	R/W	0	0 ... 65 535	UIntegerT	16 bit
Result	94 (0x5E)	-	-	-	-	-
Counter value	1 (0x01)	RO	-	0 ... 65 535	UIntegerT	16 bit

7.2.7.4. Object and Gap Monitoring

Parameter Name	Index Dec (Hex)	Access	Default value	Data range	Data Type	Length
Object and Gap Monitoring Setup	95 (0x5F)	-	-	-	-	-
Object minimum time	1 (0x01)	R/W	500 ms	10 ... 60 000 ms	UIntegerT	16 bit
Object maximum time	2 (0x02)	R/W	10 000 ms	10 ... 60 000 ms	UIntegerT	16 bit
Gap minimum time	3 (0x03)	R/W	500 ms	10 ... 60 000 ms	UIntegerT	16 bit
Gap maximum time	4 (0x04)	R/W	10 000 ms	10 ... 60 000 ms	UIntegerT	16 bit
Object and Gap Monitoring Result	96 (0x60)	-	-	-	-	-
Object time	1 (0x01)	RO	0 ms	0 ... 60 000 ms	UIntegerT	16 bit
Gap time	2 (0x02)	RO	0 ms	0 ... 60 000 ms	UIntegerT	16 bit
Object status	3 (0x03)	RO	0 = Idle	0 = Idle 1 = Measurement running 2 = Inside limits 3 = Time too long 4 = Time too short	UIntegerT	8 bit
Gap status	4 (0x04)	RO	0 = Idle	0 = Idle 1 = Measurement running 2 = Inside limits 3 = Time too long 4 = Time too short	UIntegerT	8 bit

7.2.8. Diagnostic parameters

Parameter Name	Index Dec (Hex)	Access	Default value	Data range	Data Type	Length
Sensor Diagnostics						
Frontend Failure	209 (0xD1)	RO	0 = OK	0 = OK. 1 = Fail.	IntegerT	8 bit
EE_MemoryFailure (during power up)	208 (0xD0)	-	-	-	-	-
Memory Failure	1 (0x01)	RO	0 = OK	0 = OK. 1 = Fail.	IntegerT	8 bit
Temperature Diagnostics						
Maximum temperature – All time high	203 (0xCB)	RO	- °C	-50 ... 150 [°C]	IntegerT	16 bit
Minimum temperature - All time low	204 (0xCC)	RO	- °C	-50 ... 150 [°C]	IntegerT	16 bit
Maximum temperature since power-up	205 (0xCD)	RO	- °C	-50 ... 150 [°C]	IntegerT	16 bit
Minimum temperature since power-up	206 (0xCE)	RO	- °C	-50 ... 150 [°C]	IntegerT	16 bit
Current temperature	207 (0xCF)	RO	- °C	-50 ... 150 [°C]	IntegerT	16 bit
Minutes above Maximum Temperature	211 (0xD3)	RO	0 min	0 ... 2 147 483 647 [min]	IntegerT	32 bit
Minutes below Minimum Temperature	212 (0xD4)	RO	0 min	0 ... 2 147 483 647 [min]	IntegerT	32 bit
Operating Diagnostics						
Operating Hours	201 (0xC9)	RO	0 h	0 ... 2 147 483 647 [h]	IntegerT	32 bit
Number of Power Cycles	202 (0xCA)	RO	0	0 ... 2 147 483 647	IntegerT	32 bit
Detection counter SSC1	210 (0xD2)	RO	0	0 ... 2 147 483 647	IntegerT	32 bit
Maintenance event counter	213 (0xD5)	RO	0	0 ... 2 147 483 647	IntegerT	32 bit
Download counter	214 (0xD6)	RO	0	0 ... 65 536	UIntegerT	16 bit
Quality of Teach	75 (0x4B)	RO	-	0 ... 255	UIntegerT	8 bit
Quality of Run	76 (0x4C)	RO	-	0 ... 255	UIntegerT	8 bit
Excess Gain	83 (0x53)	RO	-	1 ... 255%	UIntegerT	8 bit
Error Count	32 (0x20)	RO	0	0 ... 65 535	UIntegerT	16 Bit
Device Status	36 (0x24)	RO	0 = Device is operating properly	0 = Device is operating properly 1 = Maintenance required 2 = Out-of-specification 3 = Functional-Check 4 = Failure	UIntegerT	8 Bit
Detailed Device Status	37 (0x25)	-	-	-	-	-
Temperature fault	-	RO	-	-	OctetStringT	3 Byte
Temperature over-run	-	RO	-	-	OctetStringT	3 Byte
Temperature under-run	-	RO	-	-	OctetStringT	3 Byte
Short-circuit	-	RO	-	-	OctetStringT	3 Byte
Maintenance Required	-	RO	-	-	OctetStringT	3 Byte
Event Configuration						
Event Configuration	74 (0x4A)	-	-	-	-	-
Maintenance event (0x8C30)	1 (0x01)	R/W	0 = Maintenance event Inactive	0 = Maintenance event Inactive 1 = Maintenance event Active	RecordT	16 bit
Temperature fault event (0x4000)	2 (0x02)	R/W	0 = Temperature fault event Inactive	0 = Temperature fault event Inactive 1 = Temperature fault event Active	RecordT	16 bit
Temperature over-run event (0x4210)	3 (0x03)	R/W	0 = Temperature over-run event Inactive	0 = Temperature over-run event Inactive 1 = Temperature over-run event Active	RecordT	16 bit
Temperature under-run event (0x4220)	4 (0x04)	R/W	0 = Temperature under-run event Inactive	0 = Temperature under-run event Inactive 1 = Temperature under-run event Active	RecordT	16 bit
Short circuit event (0x7710)	5 (0x05)	R/W	0 = Short circuit event Inactive	0 = Short circuit event Inactive 1 = Short circuit event Active	RecordT	16 bit



CARLO GAVAZZI

Photoelektrischer IO-Link-Sensor

PD30ETDx10BPxxIOBPxxIO

Instruction manual

Betriebsanleitung

Manuel d'instructions

Manual de instrucciones

Manuale d'istruzione

Brugervejledning

使用手册

1. Einführung	48
1.1. Beschreibung	48
1.2. Geltungsbereich der Dokumentation	48
1.3. Zielgruppe dieser Dokumentation	48
1.4. Verwendung des Produkts	48
1.5. Sicherheitshinweise	48
1.7. Abkürzungen	49
2. Produkt	50
2.1. Hauptmerkmale	50
2.2. Kennnummer	50
2.3. Betriebsarten	51
2.3.1. SIO-Modus	51
2.3.2. IO-Link-Modus	51
2.3.3. Prozessdaten	52
2.4. Ausgangsparameter	53
2.4.1. Sensorfront	53
2.4.1.1. SSC (Schaltsignalkanal)	53
2.4.1.2. Schaltpunkt-Modi	54
2.4.1.3. Hysterese-Einstellungen	55
2.4.1.4. Verschmutzungsalarm 1 und Verschmutzungsalarm 2	55
2.4.1.5. Wassertropfenalarm 1 und Wassertropfenalarm 2	55
2.4.1.6. Temperaturalarm (TA)	55
2.4.1.5. Externer Eingang	55
2.4.2. Automatische Einstellung	56
2.4.3. Eingangswähler	56
2.4.4. Logikfunktionsblock	56
2.4.5. Timer (einzeln einstellbar für Ausgang 1 und 2)	58
2.4.5.1. Timermodus	58
2.4.5.1.1. Deaktiviert	58
2.4.5.1.2. Einschaltverzögerung (T-on)	58
2.4.5.1.3. Ausschaltverzögerung (T-off)	59
2.4.5.1.4. Ein- und Ausschaltverzögerung (T-on und T-off)	59
2.4.5.1.5. Einschaltwischend	59
2.4.5.1.6. Ausschaltwischend	60
2.4.5.2. Timerskala	60
2.4.5.3. Timerwert	60
2.4.6. Ausgangsinvertierer	60
2.4.7. Betriebsart Schaltausgangsstufe	60
2.4.8. Anwendungsfunktionen	61
2.4.8.1. Geschwindigkeit und Länge	61
2.4.8.1.1. Voraussetzungen	61
2.4.8.1.2. Geschwindigkeit und Länge - Einstellvorgang	61
2.4.8.2. Mustererkennung	62
2.4.8.2.1. Voraussetzungen	62
2.4.8.2.2. Mustererkennung - Einstellvorgang	62
2.4.8.3. Teilerfunktion	64
2.4.8.3.1. Voraussetzungen	64
2.4.8.3.2. Teilerfunktion - Einstellvorgang	64
2.4.8.4. Objekt- und Lückenüberwachung	65
2.4.8.4.1. Voraussetzungen	65
2.4.8.4.2. Objekt- und Lückenüberwachung - Einstellvorgang	65
2.5. Sensorspezifisch einstellbare Parameter	66
2.5.1. Einstellung Lokal-/Remote-Teach	66
2.5.2. Einstellbereich Potentiometer	66
2.5.3. Prozessdatenkonfiguration	66
2.5.4. Auswahl Sensormessungen	67
2.5.5. Temperaturalarm-Grenzwert	67
2.5.6. Sichere Grenzwerte	67
2.5.6.1. Stable ON	67

2.5.7. Ereigniskonfiguration	67
2.5.8. Prozessqualität (QoR)	68
2.5.9. Qualität des Teachvorgangs (QoT)	68
2.5.10. Funktionsreserve	69
2.5.11. Filterskalierung	69
2.5.12. Gegenseitige Beeinflussung	69
2.5.13. LED-Anzeige	69
2.5.14. Hysterese-Modus	69
2.5.15. Automatischer Hysteresewert	69
2.6. Teach-Verfahren bei Verwendung des SCTL55 oder eines IO-Link-Masters	70
2.6.1. Externer Teach (Leitungsteach)	70
2.6.2. Teach per IO-Link-Master oder Smart Configurator (SCTL55)	70
2.6.2.1. Ablauf im Ein-Grenzwert-Modus	70
2.6.2.2. Ablauf im Zwei-Grenzwerte-Modus	72
2.6.2.3. Ablauf im Fenstermodus	73
2.7. Diagnoseparameter	75
2.7.1. Betriebsstunden	75
2.7.2. Anzahl der Ein- und Ausschaltzyklen [Zyklen]	75
2.7.3. Höchsttemperatur – Höchstwert seit Beginn der Aufzeichnung [°C]	75
2.7.4. Tiefsttemperatur – Tiefstwert seit Beginn der Aufzeichnung [°C]	75
2.7.5. Höchsttemperatur – seit letztem Einschalten [°C]	75
2.7.6. Tiefsttemperatur – seit letztem Einschalten [°C]	75
2.7.7. Aktuelle Temperatur [°C]	75
2.7.8. Erfassungszähler [Zyklen]	75
2.7.9. Minuten über Höchsttemperatur [min]	75
2.7.10. Minuten unter Mindesttemperatur [min]	75
2.7.11. Download-Zähler	75
3. Schaltbild	76
4. Inbetriebnahme	76
5. Betrieb	77
5.1. PD30ETDx10BPxxIO Benutzeroberfläche	77
6. IODD-Datei und Werkseinstellungen	78
6.1. IODD-Datei eines IO-Link-Geräts	78
6.2. Werkseinstellungen	78
7. Anhang	78
7.1. Abkürzungen	78
7.2. IO-Link-Geräteparameter für PD30ETD IO-Link	79
7.2.1. Geräteparameter	79
7.2.2. Überwachung	80
7.2.3. SSC-Parameter	81
7.2.4. Ausgangsparameter	82
7.2.5. Sensorspezifisch einstellbare Parameter	83
7.2.6. Auto Adjust	83
7.2.7. Anwendung Funktionen	84
7.2.7.1. Geschwindigkeit und Länge	84
7.2.7.2. Mustererkennung	84
7.2.7.3. Teiler	85
7.2.7.4. Objekt- und Lückenüberwachung	85
7.2.8. Diagnoseparameter	86
Abmessungen	291
Funktionsreserve	291
Erkennungsdiagramm	292
Installationshinweise	293

1. Einführung

Diese Betriebsanleitung bietet Informationen zu photoelektrischen IO-Link-Sensoren der Baureihe PD30ETDx10BPxxIO von Carlo Gavazzi. Sie beschreibt die Installation, Einrichtung und Verwendung des Produkts im Rahmen des bestimmungsgemäßen Gebrauchs.

1.1. Beschreibung

Die photoelektrischen Sensoren von Carlo Gavazzi sind gemäß internationaler IEC-Standards konzipiert und gefertigt. Die Geräte entsprechen der EG-Niederspannungsrichtlinie (2014/35/EU) und der EG-Richtlinie für elektromagnetische Verträglichkeit (2014/30/EU).

Alle Rechte an diesem Dokument liegen bei Carlo Gavazzi Industri, Kopien dürfen nur für den internen Gebrauch angefertigt werden.

Wir freuen uns über Vorschläge zur Verbesserung dieses Dokuments.

1.2. Geltungsbereich der Dokumentation

Diese Betriebsanleitung gilt nur für photoelektrische IO-Link-Sensoren der Baureihe PD30ETDx10BPxxIO. Bei Veröffentlichung einer Aktualisierung verliert die vorliegende Version ihre Gültigkeit.

Diese Betriebsanleitung beschreibt die Funktion, den Betrieb und die Installation des Produkts im Rahmen des bestimmungsgemäßen Gebrauchs.

1.3. Zielgruppe dieser Dokumentation

Diese Betriebsanleitung enthält wichtige Informationen zur Installation. Sie muss vom Fachpersonal, das für die photoelektrischen Sensoren zuständig ist, vollständig gelesen und verstanden werden.

Wir empfehlen dringend, die Anleitung vor der Installation des Sensors sorgfältig zu lesen. Die Anleitung muss zur späteren Verwendung aufbewahrt werden. Die Installationsanleitung richtet sich an qualifiziertes Fachpersonal.

1.4. Verwendung des Produkts

Das Produkt ist ein energetischer Reflexionslichttaster, d.h. wenn ein ausreichender Pegel des ausgesandten Lichts auf den Empfänger trifft, reagiert der Sensor und schaltet die Ausgänge. Der empfangene Signalpegel kann über die Prozessdaten im IO-Link-Modus ausgelesen werden.

Die Sensoren PD30ETDx10BPxxIO können mit oder ohne IO-Link-Kommunikation betrieben werden. Mit Hilfe eines SCTL55 oder eines IO-Link-Masters können diese Geräte bedient und konfiguriert werden.

1.5. Sicherheitshinweise

Dieser Sensor darf nicht in Anwendungen eingesetzt werden, bei denen die Personensicherheit von der Funktion des Sensors abhängt (Sensor wurde nicht nach der EU-Maschinenrichtlinie konzipiert).

Die Installation und Verwendung muss durch geschultes Fachpersonal mit grundlegenden Kenntnissen in der Elektroinstallation erfolgen.

Der Installateur ist für die ordnungsgemäße Installation gemäß den örtlichen Sicherheitsvorschriften verantwortlich und muss sicherstellen, dass ein defekter Sensor keine Gefahr für Personen oder Geräte darstellt. Ist der Sensor defekt, muss er ausgetauscht und gegen unbefugte Benutzung gesichert werden.

1.6. Sonstige Dokumente

Das Datenblatt, die IODD-Datei und das IO-Link-Parameterhandbuch können im Internet abgerufen werden: <http://gavazziautomation.com>

1.7. Abkürzungen

I/O	Eingang/Ausgang
PD	Prozessdaten
SPS	Speicherprogrammierbare Steuerung
SIO	Standard Eingang/Ausgang
SP	Sollwerte
IODD	I/O-Gerätebeschreibung
IEC	International Electrotechnical Commission
NO	Schließerkontakt
NC	Öffnerkontakt
NPN	Verbindet Last mit Masse
PNP	Verbindet Last mit V+
Gegentakt	Verbindet Last mit Masse oder V+
QoR	Prozessqualität
QoT	Qualität des Teachvorgangs
UART	Universal Asynchronous Receiver-Transmitter
SO	Schaltausgang
SSC	Schaltsignalkanal
DA	Staubalarm
WDA	Wassertropfen-Alarm
AFO	Anwendung Funktionen Ausgang
TA	Temperaturalarm

2. Produkt



2.1. Hauptmerkmale

Carlo Gavazzi IO-Link 4-Draht DC-Reflexionslichttaster sind nach höchsten Qualitätsstandards gefertigt und im Edelstahlgehäuse – AISI316L für raue Umgebungen erhältlich. Erfüllt Schutzart IP69K und ECOLAB-Zertifizierung. Sie können im Standard-I/O-Modus (SIO), der Standardbetriebsart, arbeiten. Beim Anschluss an einen SCLT55 oder einen IO-Link-Master wechseln sie automatisch in den IO-Link-Modus und können einfach aus der Ferne gesteuert und konfiguriert werden.

Dank ihrer IO-Link-Schnittstelle sind diese Geräte wesentlich intelligenter und verfügen über viele zusätzliche Konfigurationsmöglichkeiten, wie z. B. einstellbarer Schaltabstand und Hysterese sowie Zeitfunktionen am Ausgang. Erweiterte Funktionalitäten wie ein Logikfunktionsblock und die Möglichkeit, einen Ausgang in einen externen Eingang zu verwandeln, erlauben einen äußerst flexiblen Einsatz des Sensors.

Anwendungsfunktionen wie z. B. Mustererkennung, Geschwindigkeits- und Längenüberwachung, Teilerfunktion und Objekt- und Lückenerkennung sind dezentrale Funktionen zur Lösung spezifischer Detektionsaufgaben.

2.2. Kennnummer

Code	Option	Beschreibung
P	-	Photoelektrischer Sensor
D	-	Rechteckiges Gehäuse
30	-	Gehäusegröße
E	-	Edelstahlgehäuse – AISI316L
T	-	Potentiometer auf der Oberseite
D	-	Reflexionslichttaster
	I	Infrarotlicht
	R	Rotlicht
10	-	Schaltabstand 1 000 mm
B	-	Wählbare Funktionen: NPN, PNP, Gegentakt, externer Eingang (nur Pin 2), externer Teach-Eingang (nur Pin 2)
P	-	Wählbar: NO oder NC
	A2	PVC-Kabel, 2 m
	M5	M8-Stecker, 4-Pin
IO	-	IO-Link-Ausführung

Zusätzliche Zeichen können für angepasste Versionen verwendet werden.

2.3. Betriebsarten

Photoelektrische IO-Link-Sensoren verfügen über zwei Schaltausgänge (SO) und zwei verschiedene Betriebsmodi: SIO-Modus (Standard-I/O-Modus) und IO-Link-Modus (Pin 4).

2.3.1. SIO-Modus

Wird der Sensor im SIO-Modus betrieben (Default), wird kein SCTL55 oder IO-Link-Master benötigt. Das Gerät verhält sich wie ein photoelektrischer Standard-Sensor und kann per Feldbus-Gerät oder Controller (z. B. eine SPS) betrieben werden, wenn diese am PNP-, NPN- oder Gegentakt-Digitaleingang (Standard-I/O-Port) des Geräts angeschlossen sind. Ein großer Vorteil dieser photoelektrischen Sensoren ist, dass sie, nachdem sie per SCTL55 oder IO-Link-Master konfiguriert wurden, die eingestellten Parameter und Konfiguration beibehalten, sobald die Verbindung zum Master getrennt wird. So erfüllt ein Sensor gleich mehrere Applikationsanforderungen, indem z. B. die Sensorausgänge einzeln als PNP, NPN oder Gegentakt konfiguriert oder Timer-Funktionen wie Ein-/Ausschaltverzögerung und Logikfunktionen hinzugefügt werden.

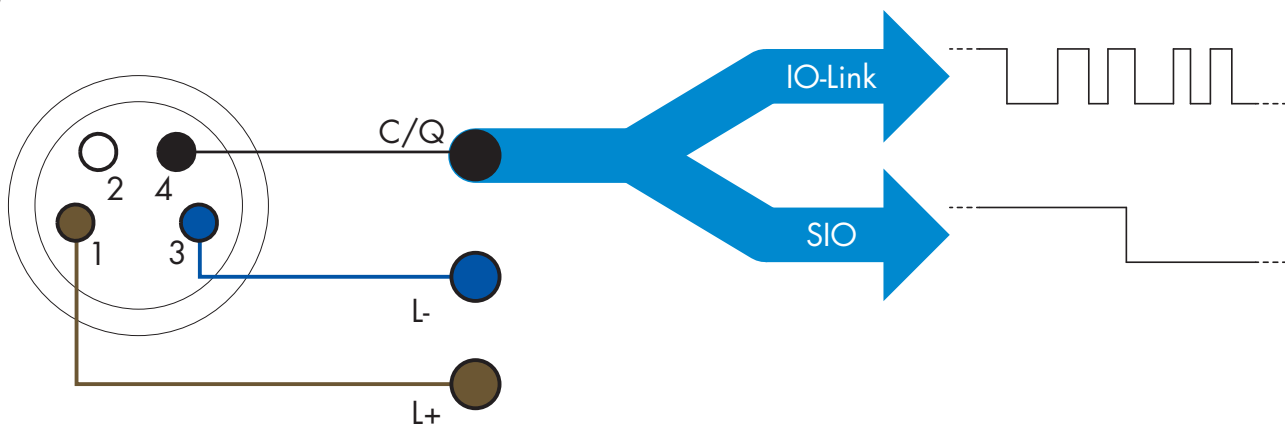
2.3.2. IO-Link-Modus

IO-Link ist eine standardisierte I/O-Technologie, die weltweit als internationaler Standard (IEC 61131-9) anerkannt ist.

Sie ist eine Art „USB-Schnittstelle“ für Sensoren und Aktoren in der industriellen Automation.

Wenn der Sensor an einen IO-Link-Anschluss angeschlossen ist, sendet der SCTL55 oder IO-Link-Master einen Weckruf (Weckimpuls) an den Sensor, der automatisch in den IO-Link-Modus wechselt. Zwischen Master und Sensor startet daraufhin automatisch eine bidirektionale Punkt-zu-Punkt-Kommunikation.

Die IO-Link-Kommunikation erfordert lediglich ein 3-adriges ungeschirmtes Standardkabel mit einer maximalen Länge von 20 m.



Die IO-Link-Kommunikation erfolgt mit einer Pulsweitenmodulation von 24 V, Standard-UART-Protokoll über das Schalt- und Kommunikationskabel (kombinierter Schaltzustand und Datenkanal C/Q), Pin 4 oder schwarzer Leiter.

Zum Beispiel: Ein 4-Pin M8-Stecker verfügt über:

- Positive Spannungsversorgung: Pin 1, braun
- Negative Spannungsversorgung: Pin 3, blau
- Digitalausgang 1: Pin 4, schwarz
- Digitalausgang 2: Pin 2, weiß

Die Übertragungsrate der Sensoren PD30ETDx10BPxxIO beträgt 38,4 kBaud (COM2).

Einmal mit dem IO-Link-Anschluss verbunden, hat der Master Fernzugriff auf alle Parameter des Sensors und auf erweiterte Funktionalitäten, sodass die Einstellungen und Konfigurationen während des Betriebs geändert und Diagnosefunktionen wie Temperaturwarnungen, Temperaturalarmlen und Prozessdaten genutzt werden können.

Mit IO-Link ist es ab V1.1 möglich, die Herstellerinformationen und die Teilenummer (Servicedaten) des angeschlossenen Geräts einzusehen. Dank der Datenspeicherung können das Gerät ausgetauscht und alle im

alten Gerät gespeicherten Informationen automatisch in das Austauschgerät übertragen werden. Der Zugriff auf die internen Parameter ermöglicht es dem Benutzer, die Leistung des Sensors zu sehen, z. B. durch Ablesen der Innentemperatur.

Ereignisdaten ermöglichen es dem Benutzer, Diagnoseinformationen zu erhalten, wie z. B. Fehler, Alarmer, Warnungen oder Informationen zu Kommunikationsproblemen.

Es gibt zwei verschiedene, voneinander unabhängige Kommunikationsarten zwischen dem Sensor und dem Master:

- Zyklisch, für Prozessdaten und Wertstatus – diese Daten werden zyklisch ausgetauscht.
- Azyklisch, für Parametrierung, Identifikationsdaten, Diagnoseinformationen und Ereignisse (z. B. Fehlermeldungen oder Warnungen) – diese Daten können auf Anfrage ausgetauscht werden.

2.3.3. Prozessdaten

Standardmäßig zeigen die Prozessdaten die folgenden Parameter als aktiv an: 16-Bit-Analogwert, Schaltausgang 1 (SO1) und Schaltausgang 2 (SO2).

Die folgenden Parameter sind als inaktiv eingestellt: SSC1, SSC2, TA, SC, DA1, DA2, AFO1, WDA1, WDA2. Durch Änderung des Prozessdaten-Konfigurationsparameters kann der Benutzer jedoch auch den Zustand der inaktiven Parameter aktivieren. Auf diese Weise können mehrere Zustände gleichzeitig im Sensor beobachtet werden.

Prozessdaten können konfiguriert werden. Siehe Abschnitt 2.5.3. „Prozessdatenkonfiguration“.

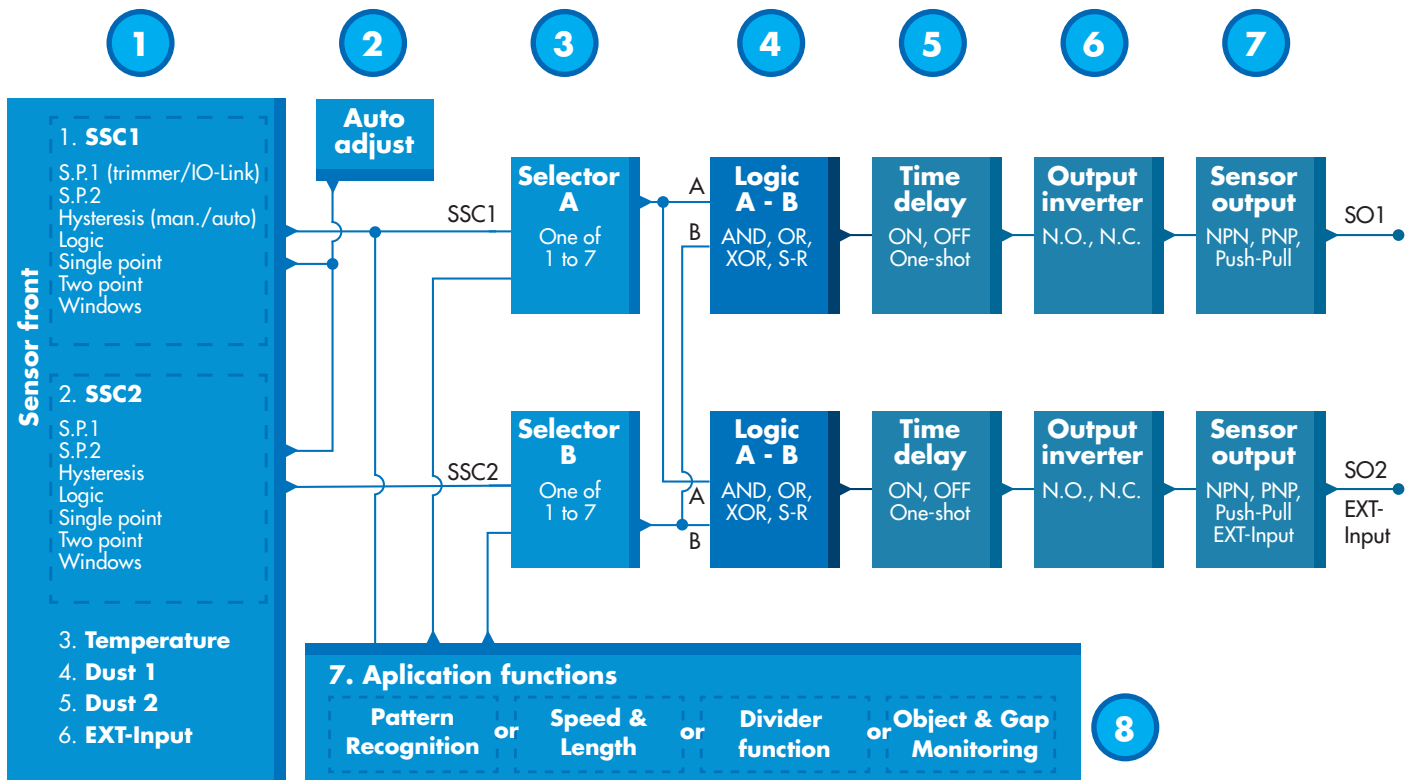
Byte 0	31	30	29	28	27	26	25	24
	MSB							
Byte 1	23	22	21	20	19	18	17	16
								LSB
Byte 2	15	14	13	12	11	10	9	8
			SC	TA	DA2	DA1	SSC2	SSC1
Byte 3	7	6	5	4	3	2	1	0
	AFO1				WDA2	WDA1	SO2	SO1

4 Bytes

Analogwert 16 ... 31 (16-Bit)

2.4. Ausgangsparameter

Sieben Erkennungsfunktionen und 4 Anwendungsfunktionen stehen zur Auswahl. Diese Größen können unabhängig voneinander eingestellt und als Quelle für den Schaltausgang 1 oder 2 verwendet werden. Zusätzlich kann ein externer Eingang für SO2 gewählt werden. Nach Auswahl einer dieser Quellen ist es möglich, den Ausgang des Sensors mit einem SCTL55 oder einem IO-Link-Master zu konfigurieren. Hierzu sind die sieben Schritte zu befolgen, die in der folgenden Schaltausgang-Konfiguration gezeigt werden. Nachdem der Sensor vom Master getrennt wurde, wechselt er in den SIO-Modus und behält die letzte Konfigurationseinstellung bei.



1

2.4.1. Sensorfront

Der Reflexionslichttaster sendet Licht in Richtung eines Ziel-Objekts und misst den vom Objekt reflektierten Lichtpegel. Sobald die Energie des empfangenen Lichtpegels einen vordefinierten Wert überschreitet, schaltet der Sensor den Ausgang. Der Erfassungsbereich ist abhängig von der Farbe, Form und Struktur des Objekts.

2.4.1.1. SSC (Schaltsignalkanal)

Für die Erkennung der Anwesenheit (oder Abwesenheit) eines Objekts vor der Sensorfläche stehen folgende Einstellungen zur Verfügung: SSC1 oder SSC2. Sollwerte können zwischen 100 ... 1 000 mm* eingestellt werden.

* Der empfohlene Wert liegt bei maximal 1 000 mm; bei idealen Bedingungen (Objektoberfläche, Umgebungslicht und EMV-Störungen etc.) kann der Abstand jedoch auf einen höheren Wert eingestellt werden.

2.4.1.2. Schaltpunkt-Modi:

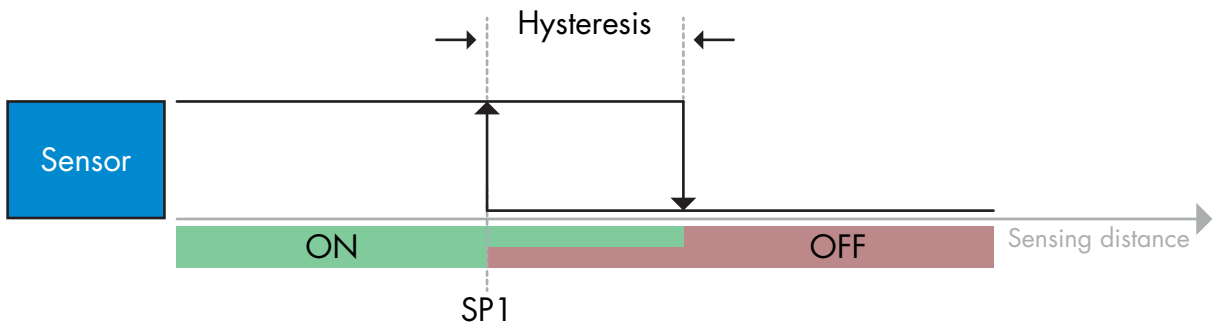
Jeder SSC-Kanal arbeitet in einem der 3 verschiedenen Modi oder ist deaktiviert. Durch Wahl des Schaltpunkt-Modus kann das Verhalten des Ausgangs weiter definiert werden. Zur Einstellung des Schaltverhaltens von SSC1 und SSC2 können die folgenden Schaltpunkt-Modi ausgewählt werden

Deaktiviert

SSC1 oder SSC2 können einzeln deaktiviert werden.

Ein-Grenzwert-Modus

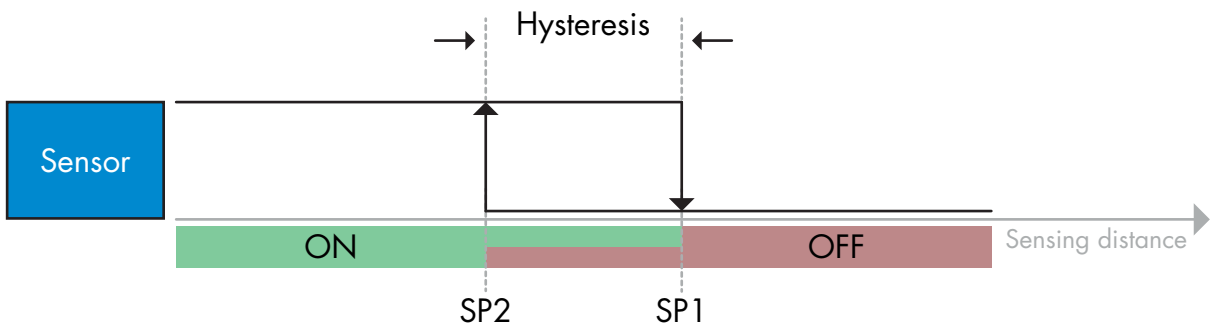
Die Schaltinformation ändert sich, wenn der Messwert die im Sollwert SP1 definierte Schwelle bei steigenden oder fallenden Messwerten überschreitet (unter Berücksichtigung der Hysterese).



Beispiel einer Anwesenheitserkennung – mit nicht invertierter Logik

Zwei-Grenzwerte-Modus

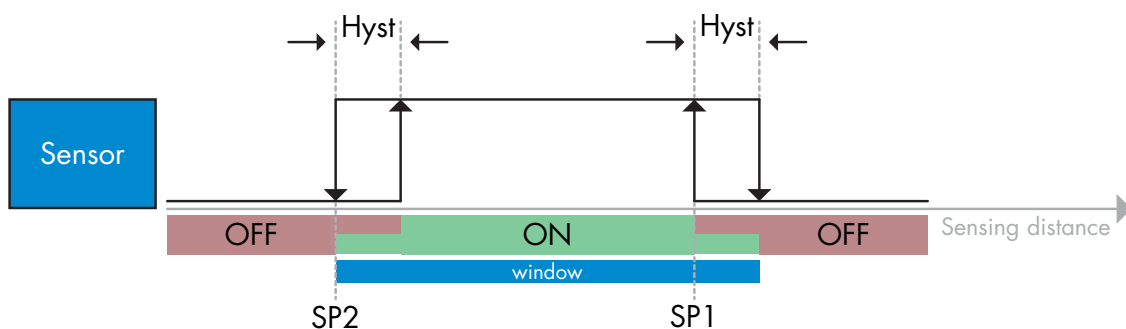
Die Schaltinformation ändert sich, wenn der Messwert die im Sollwert SP1 definierte Schwelle überschreitet. Diese Änderung tritt nur bei steigenden Messwerten auf. Die Schaltinformation ändert sich auch dann, wenn der Messwert die im Sollwert SP2 definierte Schwelle überschreitet. Diese Änderung tritt nur bei fallenden Messwerten auf. Die Hysterese wird in diesem Fall nicht berücksichtigt.



Beispiel einer Anwesenheitserkennung – mit nicht invertierter Logik

Fensterbetrieb

Die Schaltinformation ändert sich, wenn der Messwert die in den Sollwerten SP1 und SP2 definierten Schwellen bei steigenden oder fallenden Messwerten überschreitet (unter Berücksichtigung der Hysterese).



Beispiel einer Anwesenheitserkennung – mit nicht invertierter Logik

2.4.1.3. Hysterese-Einstellungen

Für SSC1 kann die Hysterese automatisch oder manuell eingestellt werden, für SSC2 nur manuell. Die Hysterese wird als Prozentsatz des für SP1 und SP2 gewählten Sollwerts eingestellt.

Hinweis: Wenn Potentiometer ausgewählt ist, ist die Standard-Einstellung "Automatische Hysterese".

Automatische Hysterese:

Die automatische Hysterese garantiert den stabilen Betrieb für eine Vielzahl von Applikationen.

Die Hysterese wird mit Bezug auf SP1/SP2 berechnet. Die aktuellen Werte können über den Parameter „SSC1 Automatischer Hysteresewert“ ausgelesen werden, typischerweise 25 % des Sollwerts für SP1 und SP2.

Manuelle Hysterese:

Bei Auswahl der manuellen Hysterese kann die Hysterese von 5 ... 99% eingestellt werden.

Für Anwendungen, die eine andere als die automatische Hysterese benötigen, kann diese manuell eingestellt werden. Dadurch ist der Sensor vielseitig einsetzbar.

Anmerkung: Bei der Wahl einer Hysterese, die kleiner als die automatische Hysterese ist, muss die Applikation besonders berücksichtigt werden.

2.4.1.4. Verschmutzungsalarm 1 und Verschmutzungsalarm 2

Der sichere Grenzwert kann individuell eingestellt werden. Er ist definiert als der Abstand zwischen dem Schaltpunkt für den Schaltausgang und dem Signalpegel, bei dem der Sensor auch bei geringem Staubanfall sicher detektiert. Siehe Abschnitt 2.6.6. Sichere Grenzwerte.

2.4.1.5. Wassertropfenalarm 1 und Wassertropfenalarm 2

Der sichere Grenzwert kann individuell eingestellt werden. Er gibt den Abstand zwischen dem Schaltpunkt für den Schaltausgang und dem Signalpegel, bei dem der Sensor auch bei geringer Bedeckung mit Wassertropfen sicher detektiert. Siehe Abschnitt 2.6.6. Sichere Grenzwerte.

2.4.1.6. Temperaturalarm (TA)

Der Sensor überwacht ständig die interne Temperatur. Mit Hilfe der Temperaturalarmeinstellung ist es möglich, einen Alarm vom Sensor zu erhalten, wenn Temperaturgrenzwerte überschritten werden. Siehe Abschnitt 2.5.5.

Es können zwei unabhängige Einstellungen für den Temperaturalarm erfolgen. Eine für die Maximaltemperatur und eine für die Minimaltemperatur.

Die Temperatur des Sensors kann über die azyklischen IO-Link-Parameterdaten ausgelesen werden.

ANMERKUNG!

Die vom Sensor gemessene Temperatur ist aufgrund der internen Erwärmung immer höher als die Umgebungstemperatur.

Die Differenz zwischen Umgebungstemperatur und Innentemperatur wird dadurch beeinflusst, wie der Sensor in der Anwendung verbaut ist.

2.4.1.5. Externer Eingang

Der Ausgang 2 (SO2) kann als externer Eingang konfiguriert werden, sodass externe Signale in den Sensor eingespeist werden können: von einem zweiten Sensor, einer SPS oder direkt von einem Maschinenausgang.

2

2.4.2. Automatische Einstellung

Die automatische Einstellfunktion kann aktiviert werden, um die Ansammlung von Staub oder Wassertropfen zu kompensieren. Basierend auf dem Sollwert, der über Potentiometer, mit den IO-Link-Parametern SSC1_SP1 / SSC2_SP1 oder per Teach eingestellt worden ist, überwacht der Sensor kontinuierlich die empfangenen Signale von Ziel und Hintergrund. Wenn kein stabiler EIN- oder AUS-Zustand erreicht werden kann, passt er den Sollwert nach oben oder unten an. Der Verschmutzungsalarm wird aktiviert, wenn die automatische Einstellung ihre maximale Empfindlichkeit erreicht hat und eine Reinigung erforderlich ist.

Der Wassertropfenalarm wird aktiviert, wenn die automatische Einstellung ihre minimale Empfindlichkeit erreicht hat und eine Reinigung erforderlich ist.

3

2.4.3. Eingangswähler

Mit diesem Funktionsblock kann der Benutzer beliebige Signale von der Sensorfront für Kanal A oder B auswählen. Kanal A und B: Wählbar aus SSC1, SSC2, Verschmutzungsalarm 1, Verschmutzungsalarm 2, Wassertropfenalarm 1, Wassertropfenalarm 2, Temperaturalarm und externem Eingang.

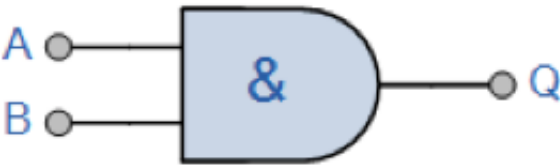
4

2.4.4. Logikfunktionsblock

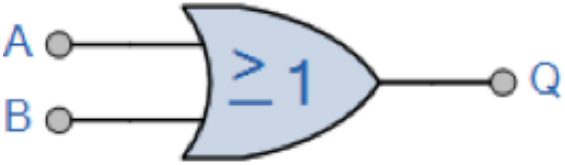
Im Logikfunktionsblock können die ausgewählten Signale des Eingangswählers direkt ohne Einsatz einer SPS um eine Logikfunktion ergänzt werden. So sind dezentrale Entscheidungen möglich.

Verfügbare Logikfunktionen sind: AND, OR, XOR, SR-FF.

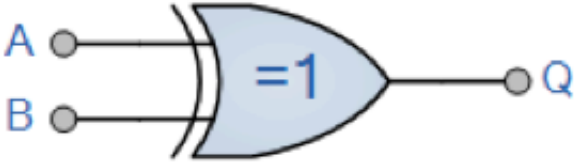
AND-Funktion

Symbol	Wahrheitstabelle		
 <p>AND-Gatter mit 2 Eingängen</p>	A	B	Q
	0	0	0
	0	1	0
	1	0	0
	1	1	1
Boolescher Ausdruck Q = A.B	A UND B ergeben Q		

OR-Funktion

Symbol	Wahrheitstabelle		
 <p>OR-Gatter mit 2 Eingängen</p>	A	B	Q
	0	0	0
	0	1	1
	1	0	1
	1	1	1
Boolescher Ausdruck $Q = A + B$	A ODER B ergibt Q		

XOR-Funktion

Symbol	Wahrheitstabelle		
 <p>XOR-Gatter mit 2 Eingängen</p>	A	B	Q
	0	0	0
	0	1	1
	1	0	1
	1	1	0
Boolescher Ausdruck $Q = A \oplus B$	A ODER B, aber NICHT BEIDES ergibt Q		

Gattergesteuerte SR-FF-Funktion

Die Funktion ist so ausgelegt, dass z. B. ein Start- oder Stoppsignal für einen Pufferförderer in Abhängigkeit vom Füllzustand des benachbarten Zuführ- oder Empfängerförderers mit nur zwei miteinander verbundenen Sensoren gegeben werden kann.

Symbol	Wahrheitstabelle		
	A	B	Q
	0	0	0
	0	1	X
	1	0	X
	1	1	1

X – Keine Änderungen am Ausgang.

5

2.4.5. Timer (einzeln einstellbar für Ausgang 1 und 2)

Mit dem Timer hat der Benutzer die Möglichkeit, verschiedene Zeitfunktionen durch Bearbeiten der 3 Timerparameter einzuführen:

- Timermodus
- Timerskala
- Timerwert

2.4.5.1. Timermodus

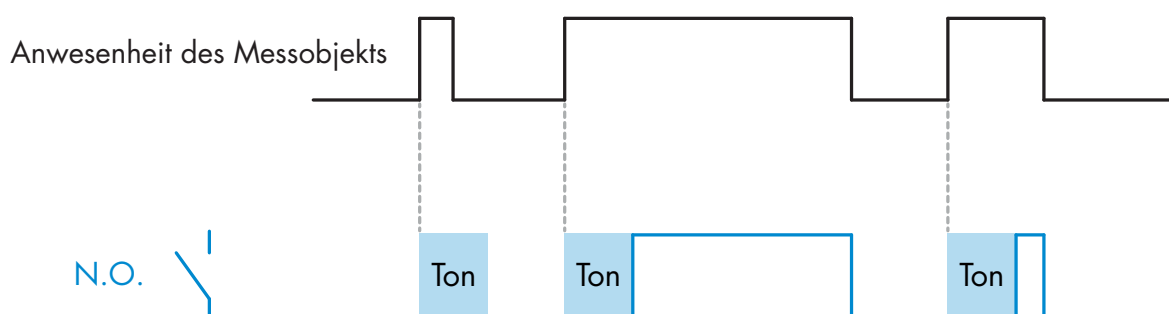
Wählt aus, welche Art von Timerfunktion am Schaltausgang angewandt wird. Es bestehen folgende Möglichkeiten:

2.4.5.1.1. Deaktiviert

Diese Option deaktiviert die Timerfunktion, unabhängig davon, wie die Timerskala und die Zeitverzögerung eingestellt sind.

2.4.5.1.2. Einschaltverzögerung (T-on)

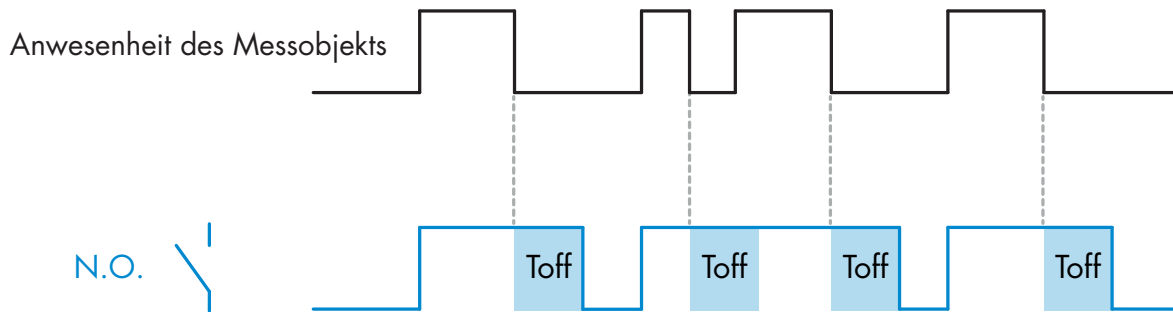
Der Schaltausgang wird nach der eigentlichen Ansteuerung des Sensors, wie in der folgenden Abbildung gezeigt, aktiviert.



Beispiel mit Schließerausgang

2.4.5.1.3. Ausschaltverzögerung (T-off)

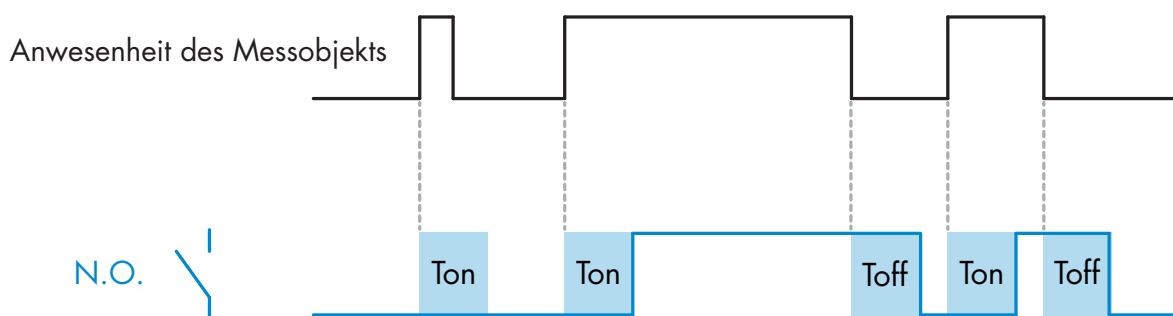
Die Deaktivierung des Schaltausgangs erfolgt erst nach Entfernung des Objekts vor dem Sensor, wie in der folgenden Abbildung gezeigt.



Beispiel mit Schließerausgang

2.4.5.1.4. Ein- und Ausschaltverzögerung (T-on und T-off)

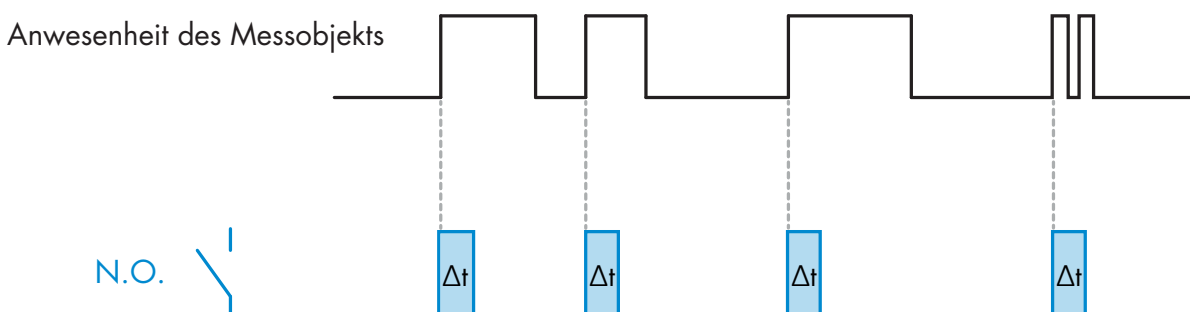
Ist diese Option ausgewählt, werden sowohl Ein- als auch Ausschaltverzögerung auf die Aktivierung des Schaltausgangs angewendet.



Beispiel mit Schließerausgang

2.4.5.1.5. Einschaltwischend

Jedes Mal wenn der Sensor ein Objekt erfasst, wird bei der steigenden Flanke des Erfassungssignals am Schaltausgang jeweils ein Impuls mit konstanter Impulsbreite generiert. Diese Funktion ist nicht retriggerbar. Siehe Abbildung unten.



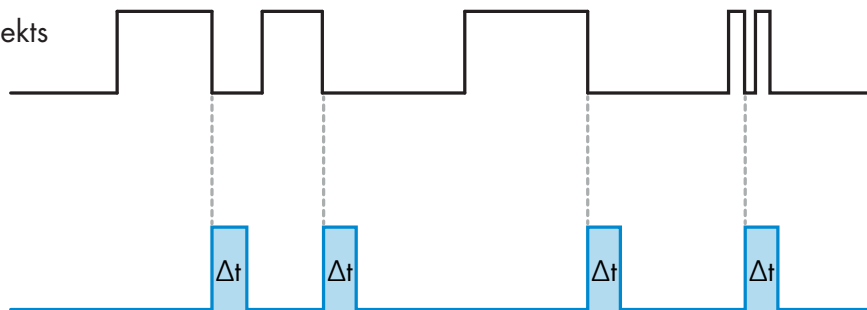
Beispiel mit Schließerausgang

2.4.5.1.6. Ausschaltwischend

Ähnlich wie Einschaltwischend, allerdings wird bei der fallenden Flanke des Erfassungssignals der Impuls am Schaltausgang generiert, siehe Abbildung unten. Diese Funktion ist nicht retriggerbar.

Anwesenheit des Messobjekts

N.O.

Beispiel mit Schließerausgang

2.4.5.2. Timerskala

Der Parameter legt fest, ob die Zeitverzögerung in Millisekunden, Sekunden oder Minuten angegeben werden soll.

2.4.5.3. Timerwert

Der Parameter legt die eigentliche Dauer der Verzögerung fest. Die Verzögerung kann auf einen beliebigen ganzzahligen Wert zwischen 1 und 32.767 eingestellt werden.

6

2.4.6. Ausgangsinvertierer

Mit dieser Funktion kann der Benutzer den Betrieb des Schaltausgangs zwischen Schließer und Öffner umkehren.

EMPFOHLENE FUNKTION

Die empfohlene Funktion befindet sich in den Parametern unter 64 (0x40) Subindex 8 (0x08) für SO1 und 65 (0x41) Subindex 8 (0x08) für SO2. Sie hat keinen negativen Einfluss auf die Logikfunktionen oder die Zeitfunktionen des Sensors, da sie nach diesen Funktionen hinzugefügt wird.

VORSICHT!

Von der Verwendung der unter 61 (0x3D) Subindex 1 (0x01) für SSC1 und 63 (0x3F) Subindex 1 (0x01) für SSC2 vorliegenden Schaltlogikfunktion wird abgeraten, da sie einen negativen Einfluss auf die Logik- oder Zeitfunktionen hat. So wird z. B. bei Verwendung dieser Funktion eine Einschaltverzögerung in eine Ausschaltverzögerung umgewandelt, wenn sie für SSC1 und SSC2 hinzugefügt wird. Sie ist nur für SO1 und SO2 relevant.

7

2.4.7. Betriebsart Schaltausgangsstufe

In diesem Funktionsblock kann der Benutzer auswählen, ob die Schaltausgänge wie folgt arbeiten sollen:

SO1: Deaktiviert oder in NPN-, PNP- oder Gegentakt-Konfiguration.

SO2: Deaktiviert oder in NPN-, PNP- oder Gegentakt-Konfiguration; externer Eingang (aktiv-high/Pull-down), externer Eingang (aktiv-low/Pull-up) oder externer Teach-Eingang.

2.4.8. Anwendungsfunktionen

4 spezielle Anwendungsfunktionen können nur über IO-Link ausgewählt werden.

- Geschwindigkeit und Länge.
- Mustererkennung.
- Teiler.
- Objekt- und Lückenüberwachung.

Alle Anwendungsfunktionen sind in der Werkseinstellung deaktiviert.

2.4.8.1. Geschwindigkeit und Länge

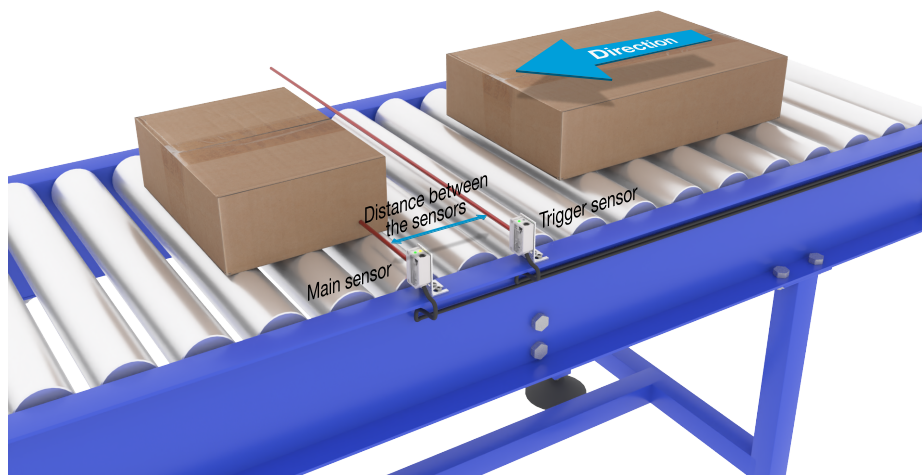
Diese Funktion dient zur Überwachung der Länge eines Objekts sowie der Geschwindigkeit eines Förderbands mit nur zwei miteinander verbundenen Sensoren. Die Istwerte von Länge [mm] und Geschwindigkeit [mm/s] sind direkt auf dem IO-Link-Master verfügbar.

Als Prozessdaten können entweder die Länge oder die Geschwindigkeit eingestellt werden.

2.4.8.1.1. Voraussetzungen

Für diese Funktion werden zwei Sensoren benötigt: ein Hauptsensor und ein Triggersensor.

2.4.8.1.2. Geschwindigkeit und Länge - Einstellvorgang



Ausrichtung von Trigger und Hauptsensor

Sensor vorbereiten

- 1) Montieren Sie zwei Sensoren am Förderband in einem Abstand von z. B. 100 mm
- 2) Schließen Sie beide Sensoren an einen SCTL55 oder IO-Link-Master an
- 3) Laden Sie die IODD-Dateien in den SCTL55 oder IO-Link-Master hoch
- 4) Schalten Sie die Stromversorgung der Sensoren ein
- 5) Setzen Sie die Sensoren mit dem SCTL55 oder dem IO-Link-Master auf Werkseinstellungen zurück.
- 6) Richten Sie die beiden Sensoren so aus, dass die Lichtstrahlen parallel zueinander und auf das Ziel gerichtet sind.
- 7) Stellen Sie die Empfindlichkeit der Sensoren so ein, dass das Objekt zuverlässig erkannt wird. (Die gelbe und grüne LED sind an und signalisieren damit „Stable ON“ und IO-Link-Modus)

IO-Link-Parametereinstellungen (siehe Optionen für den Datenbereich in § 7.2.7.1.)

- 8) Triggersensor: (das Objekt passiert zuerst den Triggersensor)
 - a) Wählen Sie „Geschwindigkeit und Länge“ im SCTL55 oder IO-Link-Master; Menü „Parameter“ -> „Applikation Funktionen“
 - b) Wählen Sie „Sensorrolle“ -> „Triggersensor“
 - c) IO-Link-Parameter-Setup für Triggersensor abgeschlossen

- 9) Hauptsensor: (berechnet Geschwindigkeit und Länge und stellt Daten über IO-Link bereit)
 - a) Setzen Sie den Sensor auf Werkseinstellungen zurück
(falls bereits unter Punkt 5 erfolgt, kann dies übersprungen werden).
 - b) Wählen Sie „Geschwindigkeit und Länge“ im SCTL55 oder IO-Link-Master; Menü „Parameter“ -> „Applikation Funktionen“
 - c) Wählen Sie „Sensorrolle“ -> „Hauptsensor“.
 - d) Tragen Sie im Menü „Geschwindigkeits- und Längenmessung Hauptsensor“ -> „Abstand zwischen Sensoren“ den Abstand zwischen den beiden Sensoren in [mm] ein
 - e) Wählen Sie falls erforderlich im „Menü Überwachung“ unter „Prozessdaten“ -> „Prozessdatenkonfiguration“ -> „Analogwert“ die „Objektlänge“ oder „Objektgeschwindigkeit“ aus
 - i. Die Objektlänge wird in [mm] angezeigt
 - ii. Die Objektgeschwindigkeit wird in [mm/s] angezeigt
- 10) Verbinden Sie den Sensorausgang an Pin 2 des Triggersensors mit dem Eingang an Pin 2 des Hauptsensors
- 11) Die Funktion „Geschwindigkeit und Länge“ ist nun einsatzbereit.

Hinweis! Schwankungen der Fördergeschwindigkeit während der Messung können das Ergebnis beeinflussen.

2.4.8.2. Mustererkennung

Mit der Mustererkennungs-Funktion kann man prüfen, ob ein gefertigtes Werkstück alle vorgesehenen, z. B. Löcher oder Zapfen aufweist und ob das Werkstück gemäß Spezifikation hergestellt wurde. Für ein Werkstück kann das vorgesehene Muster im Sensor abgespeichert werden. Weitere Werkstücke werden dann mit dem gespeicherten Muster verglichen. Stimmen die Muster überein, antwortet der Sensor mit einem positiven Signal oder Befehl entweder im Standalone-Betrieb oder über einen IO-Link-Master.

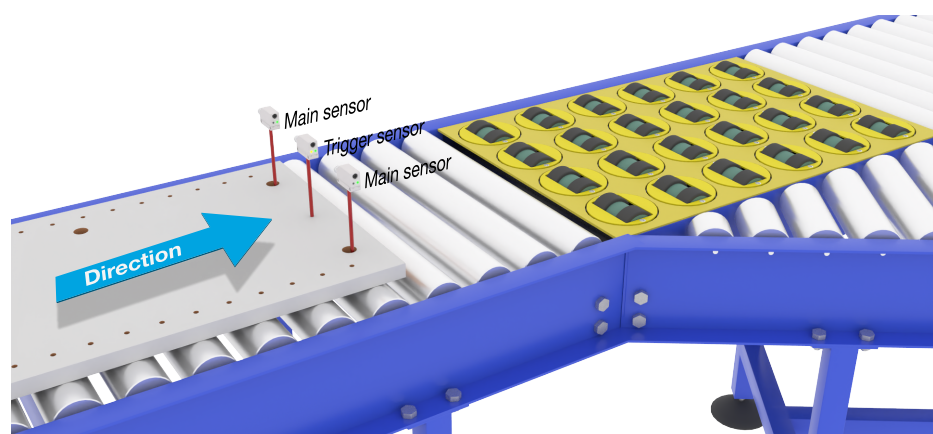
Das Muster kann maximal 20 Kanten enthalten, z. B. 10 Bohrungen oder 10 Zapfen.

Sollen mehrere Muster erkannt werden, kann man mehrere Hauptsensoren an einen einzigen Triggersensor anschließen.

2.4.8.2.1. Voraussetzungen

Für diese Funktion werden zwei Sensoren benötigt: ein Triggersensor und ein Hauptsensor. Soll mehr als ein Muster gleichzeitig untersucht werden, können mehrere Hauptsensoren an den Triggersensor angeschlossen werden.

2.4.8.2.2. Mustererkennung - Einstellvorgang



Ausrichtung von Trigger und Hauptsensor

Sensor vorbereiten

- 1) Montieren Sie zwei Sensoren am Förderband auf gleicher Höhe, damit das Objekt beide Sensoren gleichzeitig erreicht.
- 2) Schließen Sie beide Sensoren an einen SCTL55 oder IO-Link-Master an
- 3) Laden Sie die IODD-Dateien in den SCTL55 oder IO-Link-Master hoch
- 4) Schalten Sie die Stromversorgung der Sensoren ein
- 5) Setzen Sie die Sensoren mit dem SCTL55 oder dem IO-Link-Master auf Werkseinstellungen zurück.

- 6) Richten Sie beide Sensoren so aus, dass die Lichtstrahlen die Kante des Ziels zum gleichen Zeitpunkt erfassen.
- 7) Der Triggersensor muss an einer Stelle montiert werden, an der er durchgängig nur das Objekt ohne Löcher oder Zapfen erfasst.
- 8) Montieren Sie den Hauptsensor in einer Position, an der er die Zapfen oder Löcher erkennen kann, die das zu untersuchende Muster darstellen
- 9) Stellen Sie die Empfindlichkeit der Sensoren so ein, dass das Ziel zuverlässig erkannt wird. (Die gelbe und grüne LED sind an und signalisieren damit „Stable ON“ und IO-Link-Modus)

IO-Link-Parametereinstellungen (siehe Optionen für den Datenbereich in § 7.2.7.2.)

- 10) Triggersensor:
 - a) Wählen Sie „Mustererkennung“ im SCTL55 oder IO-Link-Master; Menü „Parameter“ -> „Applikation Funktionen“
 - b) Wählen Sie „Sensorrolle“ -> „Triggersensor“
 - c) IO-Link-Parameter-Setup für Triggersensor abgeschlossen
- 11) Hauptsensor:
 - a) Wählen Sie „Mustererkennung“ im SCTL55 oder IO-Link-Master; Menü „Parameter“ -> „Applikation Funktionen“
 - b) Wählen Sie „Sensorrolle“ -> „Hauptsensor“.
 - c) Geben Sie im Menü „Setup Mustererkennung“ -> „Zeitüberschreitung“ den Timeout-Wert für die maximale Auswertezeit im Bereich 1 ... 60 s ein, (Standardwert ist 60 Sekunden)
 - d) Geben Sie die Toleranz für die Mustererkennung in ‰ (Promille) im Bereich zwischen 1 ... 200 ‰ im Menü „Setup Mustererkennung“ -> „Toleranz“ ein, Standardwert ist 50 ‰
- 12) Verbinden Sie den Sensorausgang an Pin 2 des Triggersensors mit dem Eingang an Pin 2 des Hauptsensors

Muster einlernen

- 13) Führen Sie den Befehl „Muster einlernen“ aus, um das Einlernen zu starten
- 14) Führen Sie das Ziel mit gleichmäßiger Geschwindigkeit vollständig an beiden Sensoren vorbei
HINWEIS! Schwankungen der Fördergeschwindigkeit während der Messung können das Ergebnis beeinflussen.
- 15) Der Sensor antwortet mit:
 - a) „Gespeichert“ unter „Ergebnis Mustererkennung“ -> „Referenz-Muster“
 - b) „z.B. 12“ unter „Ergebnis Mustererkennung“ -> „Referenz-Muster Anzahl Kanten“ (Vorder- und Hinterkanten des Ziels werden gezählt).
 - c) Für jede Kante wird der Messwert in ms ab Vorderkante des Ziels gespeichert. Die Messwerte findet man im Menü Überwachung. Beim Vergleich mit dem Referenzmuster werden die Kanten normalisiert als prozentualer Wert des gesamten Ziels abgespeichert.
Damit ist sichergestellt, dass das Muster bei verschiedenen konstanten Geschwindigkeiten erkannt werden kann.
- 16) Das Muster kann als Projekt im SCTL55 oder IO-Link-Master gespeichert werden und später wieder in den Sensor geladen werden, um dieses spezifische gespeicherte Muster als Referenzmuster zu verwenden.
- 17) Die Mustererkennungs-Funktion ist nun einsatzbereit.
- 18) Führen Sie das Ziel erneut mit gleichmäßiger Geschwindigkeit vollständig an beiden Sensoren vorbei
- 19) Der Sensor antwortet mit dem Text
 - a) „z.B. 12“ unter „Ergebnis Mustererkennung“ -> „Anzahl Kanten letztes Muster“
- 20) „Muster identisch“ unter „Ergebnis Mustererkennung“ -> „Status Mustererkennung“

Standalone-Betrieb im SIO-Modus

- 21) Trennen Sie den Sensor vom SCTL55 oder IO-Link-Master und verbinden Sie den Pin 4 z. B. mit Ihrer dezentralen Leuchtsäule oder einer Gut/Schlecht-Förderband-Weiche
- 22) Wird ein gültiges Muster erkannt, antwortet der Ausgang an Pin 4 mit einem 1-Sekunden-Impuls.

Mehrere Muster

Mit nur einem Triggersensor und mehreren Hauptsensoren können mehrere Muster gleichzeitig auf demselben Messobjekt erkannt werden, wobei jeder Hauptsensor auf ein spezifisches Muster reagiert.

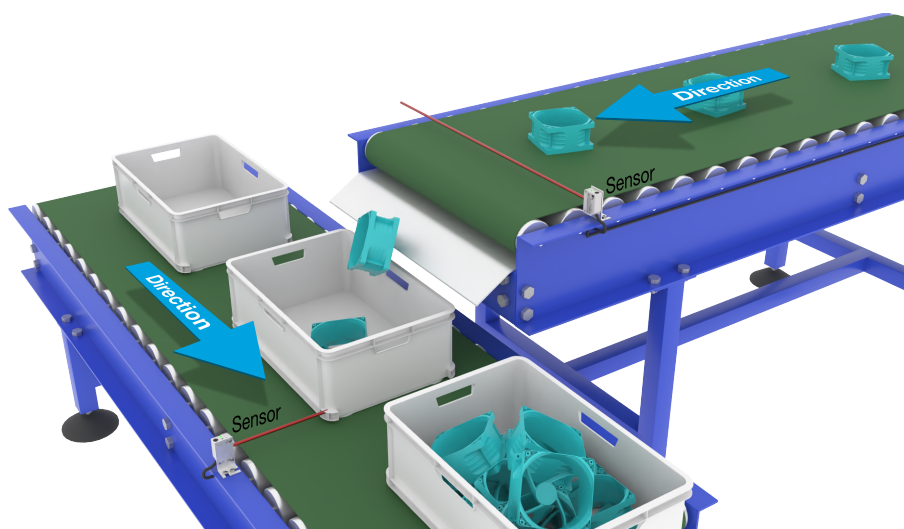
2.4.8.3. Teilerfunktion

Mit dieser Funktion kann der Benutzer z. B. eine Anzahl von Objekterkennungen einstellen, die erfolgen werden sollen, bevor der Zustand des Ausgangs geändert wird. Standardmäßig ist dieser Wert auf 1 gesetzt und jede Aktivierung ändert den Zustand des Ausgangs. Wenn der Wert auf einen höheren Wert eingestellt wird, z. B. 10, dann setzt der Sensor bei jeder 10. Erkennung den Ausgang. Der Sensor gibt den Zählimpuls an der Hinterkante des Objekts. Im untenstehenden Anwendungsbeispiel soll der Sensor den Ausgangszustand ändern, wenn 8 Produkte erkannt wurden. Der gesetzte Sensorausgang bedeutet „Kasten voll“ und ein neuer Kasten wird vor das erste Förderband geschoben. Der Zähler kann manuell über SO2 zurückgesetzt werden. SO2 ist werkseitig als externe Reset-Taste konfiguriert.

2.4.8.3.1. Voraussetzungen

Für diese Funktion wird nur ein Sensor verwendet.

2.4.8.3.2. Teilerfunktion - Einstellvorgang



Ausrichtung des Sensors

Sensor vorbereiten

- 1) Montieren Sie die Sensoren in einer Position am Förderband, an der die Hinterkante des Ziels erkannt wird kurz bevor es in den Kasten fällt.
- 2) Schließen Sie den Sensor an einen SCTL55 oder IO-Link-Master an.
- 3) Laden Sie die IODD-Datei in den SCTL55 oder IO-Link-Master hoch.
- 4) Schalten Sie die Stromversorgung des Sensors ein.
- 5) Setzen Sie den Sensor mit dem SCTL55 oder dem IO-Link-Master auf Werkseinstellungen zurück.
- 6) Richten Sie den Sensor so aus, dass das Ziel vom Lichtstrahl erfasst wird.
- 7) Stellen Sie die Empfindlichkeit des Sensors so ein, dass das Ziel zuverlässig erkannt wird.
(Die gelbe und grüne LED sind an und signalisieren damit „Stable ON“ und IO-Link-Modus)

IO-Link-Parametereinstellungen (siehe Optionen für den Datenbereich in § 7.2.7.3.)

- 8) Wählen Sie „Teiler“ im SCTL55 oder IO-Link-Master; Menü „Parameter“ -> „Applikation Funktionen“
- 9) Geben Sie im Menü „Teiler und Zähler“ -> „Zähler Grenzwert“ den Zählerwert im Bereich 1 ... 65 535 ein (Standardwert ist 1).
- 10) Falls ein voreingestellter Zählerwert benötigt wird, kann dieser im Menü „Teiler und Zähler“ -> „Zählerwert Voreinstellung“ im Bereich 0 ... 65 535 eingestellt werden (Standardwert ist 0).

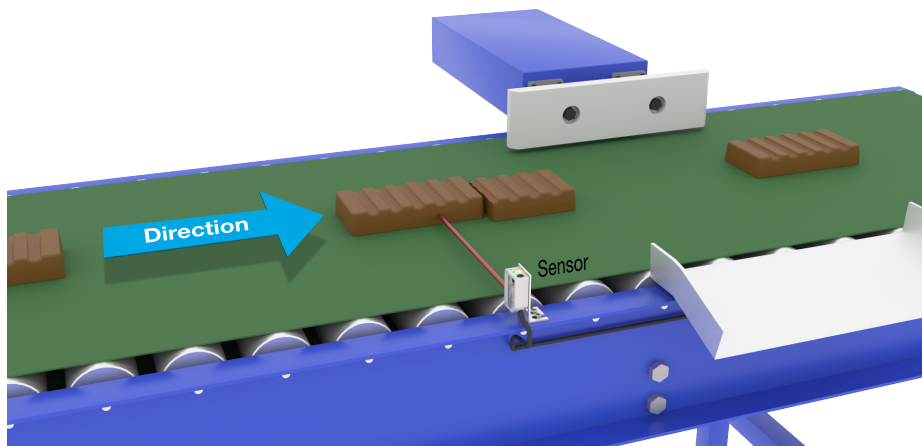
2.4.8.4. Objekt- und Lückenüberwachung

Mit dieser Funktion kann überwacht werden, dass die Länge eines Objekts und die Länge der Lücke zum nachfolgenden Objekt innerhalb festgelegter Grenzen liegen. Der Standalone-Sensor setzt ein Signal, wenn ein Objekt zu klein ist, Objekte sich überlappen oder der Abstand zwischen zwei Objekten für nachfolgende Prozesse zu gering ist.

2.4.8.4.1. Voraussetzungen

Für diese Funktion wird nur ein Sensor verwendet.

2.4.8.4.2. Objekt- und Lückenüberwachung - Einstellvorgang



Ausrichtung des Sensors

Sensor vorbereiten

- 1) Montieren Sie den Sensor am Förderband an der gewünschten Position.
- 2) Schließen Sie den Sensor an einen SCTL55 oder IO-Link-Master an.
- 3) Laden Sie die IODD-Datei in den SCTL55 oder IO-Link-Master hoch.
- 4) Schalten Sie die Stromversorgung des Sensors ein.
- 5) Setzen Sie den Sensor mit dem SCTL55 oder dem IO-Link-Master auf Werkseinstellungen zurück.
- 6) Richten Sie den Sensor so aus, dass der Lichtstrahl auf das zu erkennende Ziel gerichtet ist.
- 7) Stellen Sie die Empfindlichkeit des Sensors so ein, dass das Ziel zuverlässig erkannt wird.
(Die gelbe und grüne LED sind an und signalisieren damit „Stable ON“ und IO-Link-Modus)

IO-Link-Parametereinstellungen (siehe Optionen für den Datenbereich in § 7.2.7.4.)

- 8) Wählen Sie „Objekt- und Lückenüberwachung“ im SCTL55 oder IO-Link-Master; Menü „Parameter“ -> „Applikation Funktionen“.
- 9) Objekt-Dauer:
 - a) Geben Sie im Menü „Objekt- und Lückenüberwachung“ -> „Objekt minimale Dauer“ die Mindestzeit im Bereich 10 ... 60.000 ms ein, für die das Objekt erkannt werden soll, z. B. 130 ms (Standardwert ist 500 ms).
Die aktuell gemessene Objekt-Dauer können Sie unter „Objekt- und Lückenmonitor“ -> „Objekt-Dauer“ auslesen.
 - b) Geben Sie im Menü „Objekt- und Lückenüberwachung“ -> „Objekt maximale Dauer“ die maximale Zeit im Bereich 10 ... 60.000 ms ein, für die das Objekt erkannt werden soll, z. B. 150 ms (Standardwert ist 500 ms).
Die aktuell gemessene Objekt-Dauer können Sie unter „Objekt- und Lückenmonitor“ -> „Objekt-Dauer“ auslesen.

10) Lücken-Dauer:

a) Geben Sie im Menü „Objekt- und Lückenüberwachung“ -> „Lücke minimale Dauer“ die Mindestzeit im Bereich 10 ... 60.000 ms ein, für die die Lücke erkannt werden soll, z. B. 110 ms (Standardwert ist 500 ms).

Die aktuell gemessene Lücken-Dauer können Sie unter „Objekt- und Lückenmonitor“ -> „Lücken-Dauer“ auslesen.

b) Geben Sie im Menü „Objekt- und Lückenüberwachung“ -> „Lücke maximale Dauer“ die maximale Zeit im Bereich 10 ... 60.000 ms ein, für die die Lücke erkannt werden soll, z. B. 130 ms (Standardwert ist 500 ms).

Die aktuell gemessene Lücken-Dauer können Sie unter „Objekt- und Lückenmonitor“ -> „Lücken-Dauer“ auslesen.

11) Der Sensor ist nun einsatzbereit.

12) Der Parameter für Objektlänge wird nun eine der folgenden Informationen ausgeben: „Messung läuft innerhalb der Grenzwerte“, „Zeit zu lang“ oder „Zeit zu kurz“.

13) Der Parameter für Lückenlänge wird nun eine der folgenden Informationen ausgeben: „Messung läuft innerhalb der Grenzwerte“, „Zeit zu lang“ oder „Zeit zu kurz“.

Standalone-Betrieb im SIO-Modus

14) Trennen Sie den Sensor vom SCTL55 oder IO-Link-Master.

15) Der Ausgang an Pin 4 wird aktiviert, wenn die Objekt-Dauer zu lang oder zu kurz ist.

16) Der Ausgang an Pin 2 wird aktiviert, wenn die Lücken-Dauer zu lang oder zu kurz ist.

Hinweis! Wertet man beide Ausgänge mithilfe einer logischen ODER-Funktion aus, dann kann der Ausgang der ODER-Funktion als gemeinsamer Fehlerausgang für Objekt und Lücke verwendet werden.

2.5. Sensorspezifisch einstellbare Parameter

Neben den Parametern, die sich direkt auf die Ausgangskonfiguration beziehen, verfügt der Sensor auch über verschiedene interne Parameter, die für Einrichtung und Diagnose nützlich sind.

2.5.1. Einstellung Lokal-/Remote-Teach

Der Schaltabstand kann durch Auswahl von "Potentiometer-Eingang" oder "Leitungsteach" über den externen Eingang des Sensors eingestellt werden. Der Potentiometer-Eingang kann auch mit Auswahl von "IO-Link-Einstellung" deaktiviert werden, um den Sensor manipulationssicher zu machen.

2.5.2. Einstellbereich Potentiometer

Der Datenbereich zwischen 13.500 und 70 Einheiten entspricht 100 ...1.000 mm.

2.5.3. Prozessdatenkonfiguration

Wird der Sensor im IO-Link-Modus betrieben, hat der Benutzer Zugriff auf die zyklische Prozessdatenvariable. Standardmäßig zeigen die Prozessdaten die folgenden Parameter als aktiv an: 16-Bit-Analogwert, Schaltausgang 1 (SO1) und Schaltausgang 2 (SO2).

Die folgenden Parameter sind als inaktiv eingestellt: SSC1, SSC2, DA1, DA2, TA, SC, WDA1, WDA2, AFO1. Durch Änderung des Prozessdaten-Konfigurationsparameters kann der Benutzer jedoch auch den Zustand der inaktiven Parameter aktivieren. Auf diese Weise können mehrere Zustände gleichzeitig im Sensor beobachtet werden.

Hinweis! Wenn Anwendungsfunktionen ausgewählt sind, können auf der Registerkarte Überwachung weitere Optionen für „Analogwerte“ ausgewählt werden.

2.5.4. Auswahl Sensormessungen

Der Sensor verfügt über 3 Voreinstellungen für die Präzision, die je nach Anforderung ausgewählt werden können:

- Standardpräzision (Filterskalierung fest auf 1 gesetzt)
- Hohe Präzision (Filterskalierung auf „10 - langsam“ gesetzt)
- Kundenspezifisch (Filterskalierung kann zwischen 1-255 gesetzt werden)

Die Präzision kann über den Parameter „Filterskalierung“ eingestellt werden. Siehe Abschnitt 2.6.9.

2.5.5. Temperaturalarm-Grenzwert

Die Temperatur, bei der der Temperaturalarm ausgelöst wird, kann für die Höchst- und Mindesttemperatur geändert werden. Dies bedeutet, dass der Sensor einen Alarm bei Überschreitung der Höchst- oder Mindesttemperatur auslöst. Die Temperaturen können zwischen -50 °C und +150 °C eingestellt werden. Die Werkseinstellungen sind: unterer Grenzwert -30 °C und oberer Grenzwert +120 °C.

2.5.6. Sichere Grenzwerte

Die sicheren Grenzwerte können für den Sensor in % der für SP1 und SP2 eingestellten Werte festgelegt werden. Individuelle sichere Grenzwerte für SSC1 und SSC2 sind konfigurierbar. Sie werden für die Berechnung eines Stable ON- oder Stable OFF-Signals verwendet.

- Verschmutzungsalarm: Bei Überschreitung der eingestellten sicheren Grenzwerte wird der Verschmutzungsalarm aktiviert, siehe auch Beschreibung Verschmutzungsalarm
- Wassertropfenalarm: Bei Überschreitung der eingestellten sicheren Grenzwerte wird der Wassertropfenalarm aktiviert, siehe auch Beschreibung Wassertropfenalarm.
- Automatische Einstellung: Bei Erreichen der eingestellten sicheren Grenzwerte für die automatische Einstellung wird der Alarm zur Reinigung der Sensorfront aktiviert.
- Die Anzeige der grünen LED wird auch von den sicheren Grenzwerten beeinflusst. Durch Veränderung des Abstands bis die LED Stable ON anzeigt, kann man den Schaltabstand manuell einstellen.

2.5.6.1. Stable ON

Erkennt der Sensor ein Signal, das x % höher ist (über sichere Grenzwerte eingestellt) als der Wert, bei dem der Schaltausgang einschaltet, dann ist der Sensor im Zustand Stable ON.

2.5.6.2. Stable OFF

Erkennt der Sensor ein Signal, das x % niedriger ist (über sichere Grenzwerte eingestellt) als der Wert, bei dem der Schaltausgang ausschaltet, dann ist der Sensor im Zustand Stable OFF.

2.5.7. Ereigniskonfiguration

Temperaturereignisse, die über die IO-Link-Schnittstelle übertragen werden, sind im Sensor standardmäßig ausgeschaltet. Wenn der Benutzer Informationen über kritische Temperaturen in der Sensoranwendung erhalten möchte, können mit diesem Parameter die folgenden 4 Ereignisse aktiviert oder deaktiviert werden:

- Temperaturfehlerereignis: Der Sensor erkennt Temperaturen außerhalb des spezifizierten Arbeitsbereichs.
- Temperaturüberschreitung: Der Sensor erkennt Temperaturen, die höher sind, als beim Temperaturalarm-Grenzwert eingestellt.
- Temperaturunterschreitung: Der Sensor erkennt Temperaturen, die tiefer sind, als beim Temperaturalarm-Grenzwert eingestellt.
- Kurzschluss: Der Sensor erkennt, ob der Sensorausgang kurzgeschlossen ist.

2.5.8. Prozessqualität (QoR)

Die Prozessqualität liefert dem Nutzer aktuelle Daten zur Sensor-Leistung, indem sie folgende Parameter auswertet:

Maximaler Pegel, minimaler Pegel, Hysterese, Schaltpunkt und Sichere Grenzwerte.

Der Wert für QoR kann zwischen 0 ... 255 % liegen.

Der QoR-Wert wird für jeden Detektionszyklus aktualisiert.

Die folgende Tabelle enthält Beispiele für QoR-Werte.

Prozessqualität-Werte	Erklärung
> 150%	Hervorragende Erfassungsbedingungen, der Sensor wird voraussichtlich in naher Zukunft keine Wartung benötigen.
100%	Gute Erfassungsbedingungen, der Sensor verhält sich so wie zum Zeitpunkt als die Sollwerte geteacht oder manuell eingestellt wurden. Die Sicherheitsmarge entspricht der doppelten Standardhysterese. <ul style="list-style-type: none"> • Unter allen Umgebungsbedingungen ist eine langfristige Zuverlässigkeit zu erwarten. • Es wird nicht erwartet, dass eine Wartung erforderlich ist.
50%	Durchschnittliche Erfassungsbedingungen <ul style="list-style-type: none"> • Aufgrund der Umgebungsbedingungen ist die Zuverlässigkeit der Messwerte reduziert und eine Wartung ist erforderlich, um das Erkennungsverhalten zu verbessern. • Bei konstanten Umgebungsbedingungen kann eine zuverlässige Erkennung für die nahe Zukunft erwartet werden
0%	Unzuverlässige Erfassungsbedingungen, der Sensor funktioniert nicht richtig, sofortige Wartung erforderlich.

2.5.9. Qualität des Teachvorgangs (QoT)

Die Bewertung des Verhältnisses zwischen den Parametern TP1, TP2, Hysterese und sicherem Grenzwert ergibt einen Wert für die Qualität des Teachvorgangs anhand dessen der Anwender erkennen kann, wie gut der Teachvorgang ausgeführt worden ist.

Der Wert für QoT kann zwischen 0 ... 255 % liegen.

Der QoT-Wert wird nach jedem Teachvorgang aktualisiert.

Die folgende Tabelle enthält Beispiele für QoT-Werte.

Qualität des Teachvorgangs-Werte	Erklärung
> 150%	Hervorragende Teach-Bedingungen, der Sensor wird voraussichtlich in naher Zukunft keine Wartung benötigen.
100%	Gute Teach-Bedingungen, der Sensor wurde mit den standardmäßig eingestellten sicheren Grenzwerten eingelernt: <ul style="list-style-type: none"> • Unter allen Umgebungsbedingungen ist eine langfristige Zuverlässigkeit zu erwarten. • Es wird nicht erwartet, dass eine Wartung erforderlich ist.
50%	Durchschnittliche Teach-Bedingungen. <ul style="list-style-type: none"> • Die Umgebungsbedingungen ermöglichen keine langfristig zuverlässige Erkennung. Wartung sollte zeitnah erfolgen. • Bei konstanten Umgebungsbedingungen kann eine zuverlässige Erkennung für die nahe Zukunft erwartet werden.
0%	Schlechtes Teachergebnis. <ul style="list-style-type: none"> • Schlechte Erfassungsbedingungen für zuverlässige Erkennung (z.B. zu geringe Messwertdifferenz zwischen Ziel und Umgebung).

2.5.10. Funktionsreserve

Der Wert der Funktionsreserve beschreibt das Verhältnis des vom Photoelektrischen Sensor empfangenen Lichts zu dem Licht, das für den Betrieb des Sensors erforderlich ist.

Der Wert für die Funktionsreserve findet man in der Registerkarte „Diagnose“ des SCTL55 oder des IO-Link-Masters.

$$\text{Funktionsreserve} = \frac{\text{Vom Sensor empfangenes Licht}}{\text{Zum Schalten des Ausgangs erforderliches Licht}}$$

2.5.11. Filterskalierung

Diese Funktion erhöht die Störfestigkeit gegenüber instabilen Messobjekten oder elektromagnetischen Störungen: der Wert kann zwischen 1-255 gesetzt werden, der Default ist 1. Der Filter fungiert als gleitender Mittelwert. D.h. die Filtereinstellung von 1 liefert die maximale Tastfrequenz und die Einstellung von 255 liefert die minimale Tastfrequenz.

2.5.12. Gegenseitige Beeinflussung

Bei einer optimalen Installation müssen die Sensoren so installiert werden, dass sie sich nicht gegenseitig stören. In einigen Fällen ist das jedoch nicht möglich, sodass die Funktion zum Schutz vor gegenseitiger Beeinflussung verwendet werden kann. Die Verwendung dieser Funktion erhöht die Störfestigkeit erheblich, wirkt sich aber auch negativ auf die Erfassungsgeschwindigkeit aus. Ist der Filter aktiviert, analysiert der Sensor die empfangenen Signale und versucht, Störimpulse herauszufiltern.

- 1- Sensormodus: ist dort zu verwenden, wo der Sensor durch einen anderen Sensor, starkes Blitzlicht oder eine stark modulierte Lichtquelle, z. B. LED-Leuchten, gestört wird.
Die Reaktionszeit wird um das 5-fache erhöht.
- 2- Sensormodus: für Anwendungen, wo sich zwei identische Sensoren gegenseitig stören.
Die Reaktionszeit wird um das 5 ... 6-fache erhöht.
- 3- Sensormodus: für Anwendungen, wo sich drei identische Sensoren gegenseitig stören.
Die Reaktionszeit wird um das 5 ... 7-fache erhöht.

2.5.13. LED-Anzeige

Die LED-Anzeige verfügt über 3 verschiedene Modi: Inaktiv, Aktiv oder Meinen Sensor finden.

Inaktiv: Die LEDs sind durchgehend ausgeschaltet

Aktiv: Die LEDs folgen dem Anzeigeschema unter 5.1.

Meinen Sensor finden: Die LEDs blinken abwechselnd mit 2 Hz und 50% Einschaltdauer, um den Sensor zu lokalisieren.

2.5.14. Hysterese-Modus

Siehe 2.4.1.3.Hysterese-Einstellungen

2.5.15. Automatischer Hysteresewert

Siehe 2.4.1.3.Hysterese-Einstellungen

2.6. Teach-Verfahren bei Verwendung des SCTL55 oder eines IO-Link-Masters

Die Sollwerte können über einen Teach-Vorgang festgelegt werden. Damit erfolgt die Einstellung auf einen optimalen Wert unter Berücksichtigung von sicheren Grenzwerten und Hysterese.

2.6.1. Externer Teach (Leitungsteach)

Hinweis! Diese Funktion kann nur im Ein-Grenzwert-Modus und nur für SP1 in SSC1 genutzt werden.

Die Leitungsteach-Funktion muss zunächst über den SCTL55 oder den IO-Link-Master ausgewählt werden:

- Die Option „Teach In“ auswählen unter „Kanal 2 (SO2)“ -> „Konfiguration Kanal 2. Betriebsart Schaltausgangsstufe“.
- Die Option „Einpunkt“ auswählen unter „Schaltsignalkanal 1“ -> „SSC1-Konfigurationsmodus“.
- Die Option „Leitungsteach“ auswählen unter „SSC1 Einpunkt“ -> „Einstellung Lokal-/Remote-Teach“.

Teachvorgang per Leitung.

- Das Messobjekt vor dem Sensor platzieren.
 - Den Eingang für das Teach-Kabel (Pin 2, weißes Kabel) mit V+ verbinden (Pin 1, braunes Kabel). Die gelbe LED blinkt mit 1 Hz (10% Einschaltdauer) und signalisiert, dass der Teachvorgang läuft.
 - Nach 3-6 Sekunden startet das Zeitfenster für den Teach-Vorgang. Das Blinkmuster ändert sich auf 90% Einschaltdauer. Das weiße Kabel trennen.
 - Bei einem erfolgreichen Teach blinkt die LED 4 mal (2 Hz, 50%).
 - Der neu eingelernte Sollwert befindet sich in „SSC1 Einpunkt“ -> „Sollwert“ -> „SSC1 Parameter.Sollwert 1“.
- Tritt beim Teach ein Fehler auf oder wird er abgebrochen, beendet der Sensor den Teach-Modus.

Hinweis: Wird das weiße Kabel außerhalb des Zeitfensters für den Teach-Vorgang getrennt, wird der Teach abgebrochen.

Wird das weiße Kabel nicht innerhalb von 10 Sekunden getrennt, wird der Teach abgebrochen (der Timeout wird durch schnelles, gelbes Blinken der LED signalisiert (5 Hz, 50%)).

2.6.2. Teach per IO-Link-Master oder Smart Configurator (SCTL55)

- Wählen zwischen SSC1- oder SSC2-Konfigurationsmodus:

SSC1: Unter „Schaltsignalkanal 1“ -> „SSC1-Konfigurationsmodus“ eine der Optionen „Einpunkt“, „Fenster“ oder „Zweipunkt“ auswählen.

Hinweis! Bei Auswahl von „Einpunkt“ muss unter „SSC1 Einpunkt“ -> „Einstellung Lokal-/Remote-Teach“ die Option „IO-Link-Einstellung“ gewählt werden.

SSC2: Unter „Schaltsignalkanal 2“ -> „SSC2-Konfigurationsmodus“ eine der Optionen „Einpunkt“, „Fenster“ oder „Zweipunkt“ auswählen.

- Unter „Teach-In“ -> „Teach-In Auswahl“ den einzulernenden Kanal auswählen, z. B. „Schaltsignalkanal 1“ oder „Schaltsignalkanal 2“.

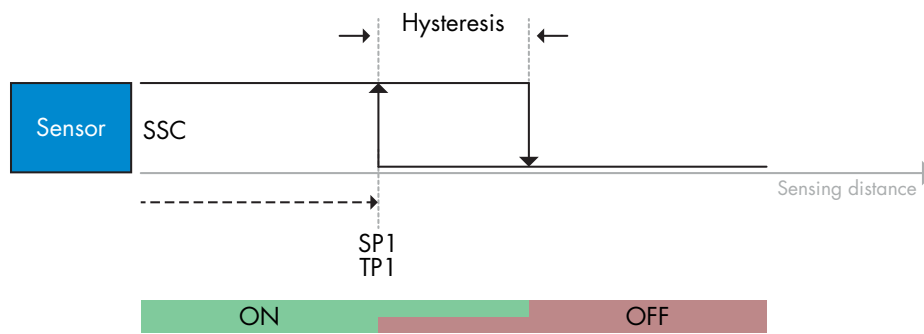
2.6.2.1. Ablauf im Ein-Grenzwert-Modus

1) Befehlsfolge für Einzelwert-Teach:

Befehlsfolge für Einzelwert-Teach.

(Schaltflächen befinden sich in Menü: „Teach-in SSC1“ oder „Teach-in SSC2“ -> „SSC1 Einzelwert teachen“ oder „SSC2 Einzelwert teachen“).

- Ziel vor dem Sensor platzieren.
- Schaltfläche „SP1-Teach“ drücken.
- Das Einlernergebnis wird in „Teach-In Ergebnis“ -> „Teach-In Zustand“ angezeigt, z.B. „ERFOLGREICH“.
- QoT wird in "Qualität des Teachvorgangs" angezeigt, z.B. 100%.



2) Befehlsfolge für dynamischen Teach

Befehlsfolge für dynamischen Einzelwert-Teach

(Schaltflächen befinden sich in Menü: „Teach-in SSC1“ oder „Teach-in SSC2“ -> „SSC1 dynamisch teachen“ oder „SSC2 dynamisch teachen“)

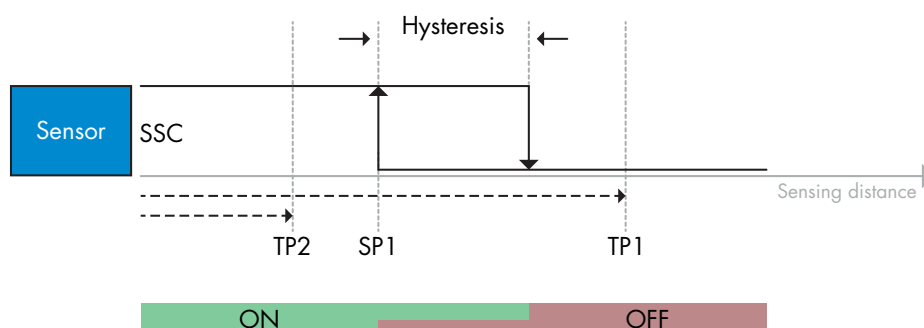
1. Schaltfläche „SP1-Teach starten“ drücken.
2. Bewegen Sie das Ziel vor dem Sensor an leicht unterschiedlichen Positionen in den Erfassungsbereich hinein und wieder heraus.
3. Schaltfläche „SP1-Teach beenden“ drücken.
4. Das Einlernergebnis wird in „Teach-In Ergebnis“ -> „Teach-In Zustand“ angezeigt, z.B. „ERFOLGREICH“.
5. QoT wird in „Qualität des Teachvorgangs“ angezeigt, z.B. 150 %

3) Befehlsfolge für Zwei-Werte-Teach

Zwei-Werte-Teach für SP1

(Schaltflächen befinden sich in Menü: „Teach-in SSC1“ oder „Teach-in SSC2“ -> „SSC1 Zwei-Werte-Teach“ oder „SSC2 Zwei-Werte-Teach“)

1. Bewegen Sie das Ziel zur Position für SP1 TP1
 - A. Schaltfläche „SP1-TP1 teachen“ drücken.
 - B. „Teach-In Ergebnis -> Teachpunkt 1 von Sollwert 1“ = z.B. „OK“.
 - C. „Teach-In Ergebnis -> Teach-In Zustand“ = z.B. „WARTE AUF BEFEHL“.
2. Bewegen Sie das Ziel zur Position für SP1 TP2
 - A. Schaltfläche „SP1-TP2 teachen“ drücken.
 - B. „Teach-In Ergebnis -> Teachpunkt 2 von Sollwert 1“ = z.B. „OK“.
 - C. „Teach-In Ergebnis -> Teach-In Zustand“ = z.B. „ERFOLGREICH“.
3. QoT wird in „Qualität des Teachvorgangs“ angezeigt, z.B. 150 %

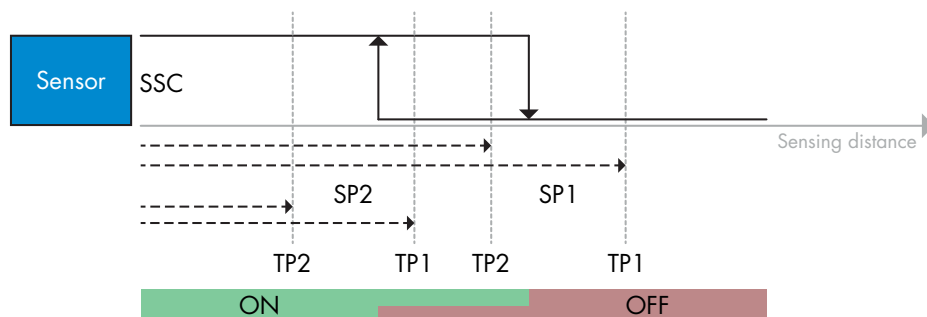


2.6.2.2. Ablauf im Zwei-Grenzwerte-Modus

1) Befehlsfolge für Zwei-Werte-Teach:

Schaltflächen befinden sich in Menü: „Teach-in SSC1“ oder „Teach-in SSC2“ -> „SSC1 Zwei-Werte-Teach“ oder „SSC2 Zwei-Werte-Teach“

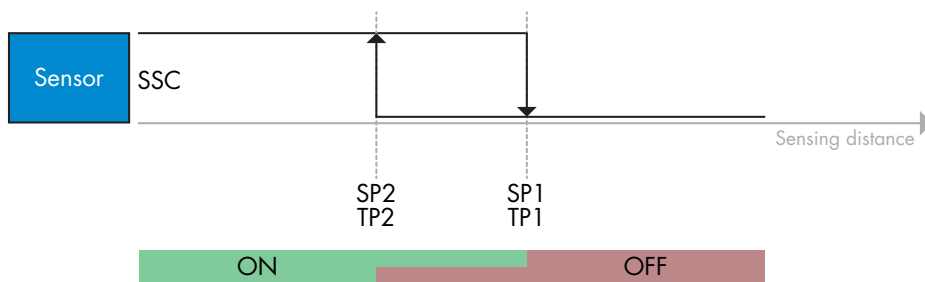
1. Bewegen Sie das Ziel zur Position für SP1 TP1.
 - A. Schaltfläche „SP1-TP1 teachen“ drücken.
 - B. „Teach-In Ergebnis -> Teachpunkt 1 von Sollwert 1“ = z.B. „OK“.
 - C. „Teach-In Ergebnis -> Teach-In Zustand“ = z.B. „WARTE AUF BEFEHL“.
2. Bewegen Sie das Ziel zur Position für SP1 TP2.
 - A. Schaltfläche „SP1-TP2 teachen“ drücken.
 - B. „Teach-In Ergebnis -> Teachpunkt 2 von Sollwert 1“ = z.B. „OK“.
 - C. „Teach-In Ergebnis -> Teach-In Zustand“ = z.B. „WARTE AUF BEFEHL“.
3. Bewegen Sie das Ziel zur Position für SP2 TP1.
 - A. Schaltfläche „SP2-TP1 teachen“ drücken.
 - B. „Teach-In Ergebnis -> Teachpunkt 1 von Sollwert 2“ = z.B. „OK“.
 - C. „Teach-In Ergebnis -> Teach-In Zustand“ = z.B. „WARTE AUF BEFEHL“.
4. Bewegen Sie das Ziel zur Position für SP2 TP2.
 - A. Schaltfläche „SP2-TP2 teachen“ drücken.
 - B. „Teach-In Ergebnis -> Teachpunkt 2 von Sollwert 2“ = z.B. „OK“.
 - C. „Teach-In Ergebnis -> Teach-In Zustand“ = z.B. „WARTE AUF BEFEHL“.
5. Schaltfläche „Teach anwenden“ drücken.
 - A. „Teach-In Ergebnis -> Teach-In Zustand“ = z.B. „ERFOLGREICH“.
6. QoT wird in „Qualität des Teachvorgangs“ angezeigt, z.B. 100 %



2) Befehlsfolge für dynamischen Teach:

Schaltflächen befinden sich in Menü: „SSC1 dynamisch teachen“ oder „SSC2 dynamisch teachen“ -> „Teach-In“

1. Bewegen Sie das Ziel zur Position für SP1.
 - A. Schaltfläche „SP1-Teach starten“ drücken.
 - B. „Teach-In Ergebnis -> Teach-In Zustand“ = z.B. „WARTE AUF BEFEHL“.
 - C. Schaltfläche „SP1-Teach beenden“ drücken.
 - D. „Teach-In Ergebnis -> Teach-In Zustand“ = z.B. „WARTE AUF BEFEHL“.
2. Bewegen Sie das Ziel zur Position für SP2.
 - A. Schaltfläche „SP2-Teach starten“ drücken.
 - B. „Teach-In Ergebnis -> Teach-In Zustand“ = z.B. „WARTE AUF BEFEHL“.
 - C. Schaltfläche „SP2-Teach beenden“ drücken.
 - D. „Teach-In Ergebnis -> Teach-In Zustand“ = z.B. „WARTE AUF BEFEHL“.
3. „Teach-In Ergebnis -> Teach-In Zustand“ = z.B. „ERFOLGREICH“.
4. QoT wird in „Qualität des Teachvorgangs“ angezeigt, z.B. 100 %



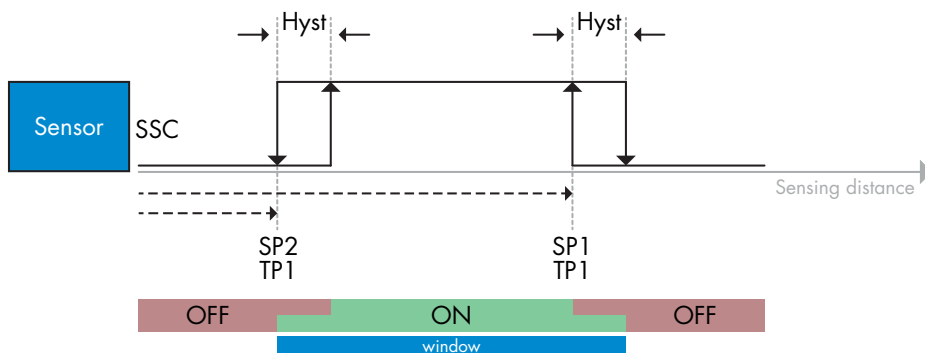
2.6.2.3. Ablauf im Fenstermodus

1) Befehlsfolge für Einzelwert-Teach:

Befehlsfolge für Einzelwert-Teach:

Die Schaltflächen befinden sich in Menü: „Teach-in SSC1“ oder „Teach-in SSC2“ -> „SSC 1 Einzelwert teachen“ oder „SSC2 Einzelwert teachen“

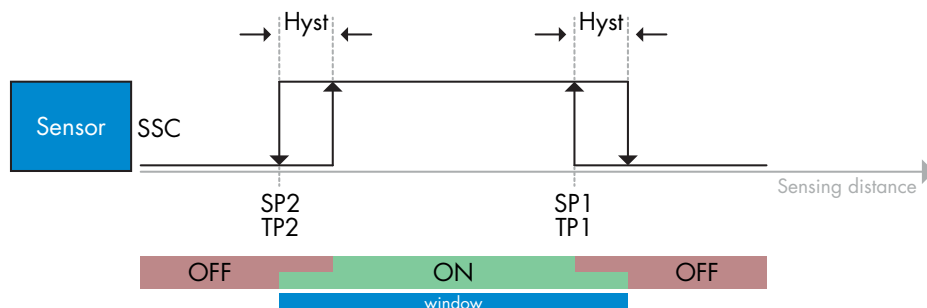
1. Bewegen Sie das Ziel zur Position für SP1.
 - A. Schaltfläche „SP1 teachen“ drücken.
 - B. „Teach-In Ergebnis -> Teach-In Zustand“ = z.B. „WARTE AUF BEFEHL“.
2. Bewegen Sie das Ziel zur Position für SP2.
 - A. Schaltfläche „SP2 teachen“ drücken.
 - B. „Teach-In Ergebnis -> Teach-In Zustand“ = z.B. „ERFOLGREICH“.
3. QoT wird in „Qualität des Teachvorgangs“ angezeigt, z.B. 255 %



2) Befehlsfolge für dynamischen Teach:

Die Schaltflächen befinden sich in Menü: „Teach-in SSC1“ oder „Teach-in SSC2“ -> „SSC1 dynamisch teachen“ oder „SSC2 dynamisch teachen“

1. Bewegen Sie das Ziel zur Position für SP1.
 - A. Schaltfläche „SP1-Teach starten“ drücken.
 - B. „Teach-In Ergebnis -> Teach-In Zustand“ = z.B. „WARTE AUF BEFEHL“.
 - C. Schaltfläche „SP1-Teach beenden“ drücken.
 - D. „Teach-In Ergebnis -> Teach-In Zustand“ = z.B. „WARTE AUF BEFEHL“.
2. Bewegen Sie das Ziel zur Position für SP2.
 - A. Schaltfläche „SP2-Teach starten“ drücken.
 - B. „Teach-In Ergebnis -> Teach-In Zustand“ = z.B. „WARTE AUF BEFEHL“.
 - C. Schaltfläche „SP2-Teach beenden“ drücken.
 - D. „Teach-In Ergebnis -> Teach-In Zustand“ = z.B. „ERFOLGREICH“.
3. QoT wird in „Qualität des Teachvorgangs“ angezeigt, z.B. 100 %



2.7. Diagnoseparameter

2.7.1. Betriebsstunden

Der Sensor hat einen eingebauten Zähler, der jede volle Betriebsstunde des Sensors protokolliert. Die maximale Aufzeichnungsdauer kann über den SCTL55 oder einen IO-Link-Master ausgelesen werden.

2.7.2. Anzahl der Ein- und Ausschaltzyklen [Zyklen]

Der Sensor hat einen eingebauten Zähler, der jeden Einschaltvorgang des Sensors protokolliert. Der Wert wird stündlich gespeichert. Die bisher angefallenen Ein- und Ausschaltzyklen können über den SCTL55 oder einen IO-Link-Master ausgelesen werden.

2.7.3. Höchsttemperatur – Höchstwert seit Beginn der Aufzeichnung [°C]

Der Sensor verfügt über eine eingebaute Funktion, die die höchste Temperatur protokolliert, der der Sensor während der gesamten Lebensdauer ausgesetzt war. Dieser Parameter wird einmal pro Stunde aktualisiert und kann vom SCTL55 oder einem IO-Link-Master ausgelesen werden.

2.7.4. Tiefsttemperatur – Tiefstwert seit Beginn der Aufzeichnung [°C]

Der Sensor verfügt über eine eingebaute Funktion, die die niedrigste Temperatur protokolliert, der der Sensor während der gesamten Lebensdauer ausgesetzt war. Dieser Parameter wird einmal pro Stunde aktualisiert und kann vom SCTL55 oder einem IO-Link-Master ausgelesen werden.

2.7.5. Höchsttemperatur – seit letztem Einschalten [°C]

Über diesen Parameter kann der Benutzer Informationen über die höchste, registrierte Temperatur seit dem Einschalten erhalten. Dieser Wert wird nicht im Sensor gespeichert, kann aber über den SCTL55 oder einen IO-Link-Master ausgelesen werden.

2.7.6. Tiefsttemperatur – seit letztem Einschalten [°C]

Über diesen Parameter kann der Benutzer Informationen über die niedrigste, registrierte Temperatur seit dem Einschalten erhalten. Dieser Wert wird nicht im Sensor gespeichert, kann aber über den SCTL55 oder einen IO-Link-Master ausgelesen werden.

2.7.7. Aktuelle Temperatur [°C]

Über diesen Parameter kann der Benutzer Informationen über die aktuelle Temperatur des Sensors erhalten. Die Temperatur kann über den SCTL55 oder einen IO-Link-Master ausgelesen werden.

2.7.8. Erfassungszähler [Zyklen]

Der Sensor protokolliert jede Zustandsänderung des SSC1. Dieser Parameter wird einmal pro Stunde aktualisiert und kann vom SCTL55 oder einem IO-Link-Master ausgelesen werden.

2.7.9. Minuten über Höchsttemperatur [min]

Der Sensor protokolliert, wie viele Minuten der Sensor über der maximalen Temperatur für den Sensor in Betrieb war. Die maximal aufzeichenbare Minutenzahl beträgt 2.147.483.647. Dieser Parameter wird einmal pro Stunde aktualisiert und kann vom SCTL55 oder einem IO-Link-Master ausgelesen werden.

2.7.10. Minuten unter Mindesttemperatur [min]

Der Sensor protokolliert, wie viele Minuten der Sensor unter der minimalen Temperatur für den Sensor in Betrieb war. Die maximal aufzeichenbare Minutenzahl beträgt 2.147.483.647. Dieser Parameter wird einmal pro Stunde aktualisiert und kann vom SCTL55 oder einem IO-Link-Master ausgelesen werden.

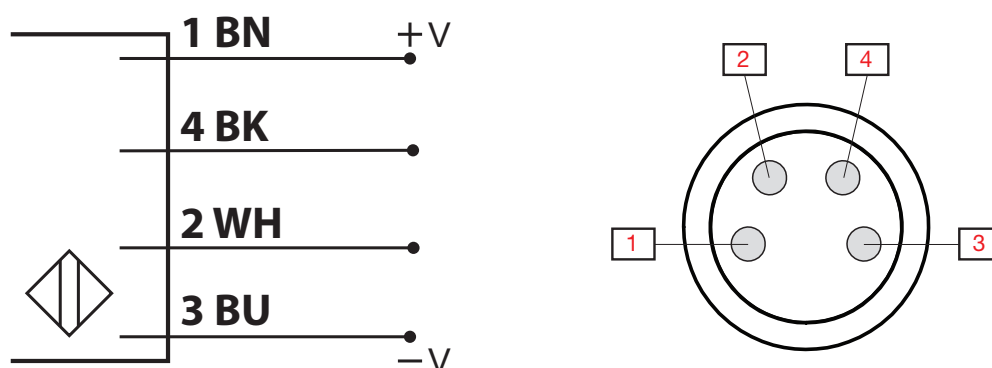
2.7.11. Download-Zähler

Der Sensor protokolliert, wie oft die Parameter im Sensor geändert wurden. Die Zahl der Änderungen, die maximal aufgezeichnet werden kann, beträgt 65.536. Dieser Parameter wird einmal pro Stunde aktualisiert und kann vom SCTL55 oder einem IO-Link-Master ausgelesen werden.

ANMERKUNG!

Die vom Sensor gemessene Temperatur ist aufgrund der internen Erwärmung immer höher als die Umgebungstemperatur.

Die Differenz zwischen Umgebungstemperatur und Innentemperatur wird dadurch beeinflusst, wie der Sensor in der Anwendung verbaut ist. Wenn der Sensor in einer Metallhalterung montiert ist, ist die Differenz geringer als wenn der Sensor in einer Kunststoffhalterung montiert ist.

3. Schaltbild

Pin	Farbe	Signal	Beschreibung
1	Braun	10 ... 30 V DC	Sensorversorgung
2	Weiß	Last	Ausgang 2 / SIO-Modus / Externer Eingang / Externer Teach
3	Blau	GND	Masse
4	Schwarz	Last	IO-Link / Ausgang 1 / SIO-Modus

4. Inbetriebnahme

150 ms nach dem Einschalten der Stromversorgung ist der Sensor betriebsbereit.

Bei Anschluss an einen IO-Link-Master ist keine zusätzliche Einstellung erforderlich. Die IO-Link-Kommunikation startet automatisch, nachdem der IO-Link-Master eine Aktivierungsanforderung an den Sensor gesendet hat.

5. Betrieb

5.1. PD30ETDx10BPxxIO Benutzeroberfläche

PD30ETDx10BPxxIO Sensoren sind mit einer gelben und einer grünen LED ausgestattet.

SIO- und IO-Link-Modus			
Grüne LED	Gelbe LED	Betriebsspannung	Erkennung
● EIN	● AUS	EIN	AUS (stabil) SSC1
● AUS	● AUS	EIN	AUS (Nicht stabil) SSC1 oder LEDs deaktiviert
● AUS	● EIN	EIN	EIN (Nicht stabil) SSC1
● EIN	● EIN	EIN	EIN (stabil) SSC1
● AUS	● AUS	AUS	Betriebsspannung nicht verbunden
-	● Blinkend, 10 Hz 50 % Einschaltdauer	EIN	Ausgangskurzschluss
-	● Blinkend, 0,5 ... 20 Hz 50 % Einschaltdauer	EIN	Anzeige "Timer gestartet"
Nur SIO-Modus			
-	● Blinkend, 1 Hz EIN - 100 ms AUS - 900 ms	EIN	Externer Leitungsteach. Nur für Ein-Grenzwert-Modus
-	● Blinkend, 1 Hz EIN - 900 ms AUS - 100 ms	EIN	Teach-Zeitfenster (3 ... 6 s)
-	● Blinkend, 10 Hz EIN - 50 ms AUS - 50 ms Blinkt für 2 Sek.	EIN	Teach-Zeitüberschreitung (12 s)
-	● Blinkend, 2 Hz EIN - 250 ms AUS - 250 ms Blinkt für 2 Sek.	EIN	Teachvorgang erfolgreich
Nur IO-Link-Modus			
● Blinkend, 1 Hz EIN - 900 ms AUS - 100 ms	● AUS	EIN	Sensor im IO-Link-Modus und SSC1 ist stabil
● Blinkend, 1 Hz EIN - 100 ms AUS - 900 ms	● EIN	EIN	Sensor im IO-Link-Modus und SSC1 ist nicht stabil
● ●	Blinkend, 2 Hz 50 % Einschaltdauer	EIN	Meinen Sensor finden

* Beide LEDs können deaktiviert werden

6. IODD-Datei und Werkseinstellungen

6.1. IODD-Datei eines IO-Link-Geräts

Alle Merkmale, Geräteparameter und Einstellwerte des Sensors werden in einer Datei mit der Bezeichnung „I/O Device Description“ (IODD-Datei) zusammengefasst. Die IODD-Datei wird benötigt, um die Kommunikation zwischen SCTL55 oder IO-Link-Master und Sensor herzustellen. Jeder Anbieter eines IO-Link-Geräts muss diese Datei vorhalten und auf der Website zum Download bereitstellen.

Die IODD-Datei enthält:

- Prozess- und Diagnosedaten
- Parameterbeschreibungen mit dem Namen, dem zulässigen Bereich, der Art der Daten und der Adresse (Index und Subindex)
- Kommunikationseigenschaften, einschließlich der minimalen Zykluszeit des Geräts
- Geräteerkennung, Artikelnummer, Bild des Geräts und Logo des Herstellers

IODD-Dateien werden im IODD Finder und auf der Website von Carlo Gavazzi zur Verfügung gestellt:
<http://gavazziautomation.com>

6.2. Werkseinstellungen

Die Werkseinstellungen sind in Kapitel 7. „Anhang“ unter den Standardwerten aufgeführt.

7. Anhang

7.1. Abkürzungen

IntegerT	Ganzzahl mit Vorzeichen
OctetStringT	Array aus Oktetts
PDV	Prozessdatenvariable
R/W	Lesen und Schreiben
RO	Nur Lesen
SO	Schaltausgang
SP	Sollwert
TP	Teachpunkt
SSC	Schaltsignalkanal
StringT	Zeichenfolge aus ASCII-Zeichen
TA	Temperaturalarm
UIntegerT	Ganzzahl ohne Vorzeichen
WO	Nur Schreiben
SC	Kurzschluss
DA	Staubalarm
WDA	Wassertropfen-Alarm
AFO1	Anwendung Funktionen Ausgang 1

7.2. IO-Link-Geräteparameter für PD30ETD IO-Link

7.2.1. Geräteparameter

Parametername	Index, dec (hex)	Zugriff	Standardwert	Datenbereich	Datentyp	Länge
Lieferantenname	16 (0x10)	RO	Carlo Gavazzi	-	StringT	20 Bytes
Lieferantentext	17 (0x11)	RO	www.gavazziautomation.com	-	StringT	34 Bytes
Produktbezeichnung	18 (0x12)	RO	(Sensorname) z. B. PD30ETD110BPA210	-	StringT	20 Bytes
Produkt-ID	19 (0x13)	RO	(EAN-Code des Produkts) z. B. 5709870394046	-	StringT	13 Bytes
Produkttext	20 (0x14)	RO	z.B. Photoelektrischer Sensor, Reflexionslichttaster, Rotlicht-Sender, 1000 mm, Edelstahlgehäuse, IO-Link	-	StringT	30 Bytes
Seriennummer	21 (0x15)	RO	(Eindeutige Seriennummer) z. B. 20210315C0001	-	StringT	13 Bytes
Hardware-Revision	22 (0x16)	RO	(Hardware-Revision) z. B. v01.00	-	StringT	6 Bytes
Firmware-Revision	23 (0x17)	RO	(Software-Revision) z. B. v01.00	-	StringT	6 Bytes
Anwendungsspezifisches Tag	24 (0x18)	R/W	***	Beliebige Zeichenfolge mit bis zu 32 Zeichen	StringT	max. 32 Bytes
Funktions-Tag	25 (0x19)	R/W	***	Beliebige Zeichenfolge mit bis zu 32 Zeichen	StringT	max. 32 Bytes
Location-Tag	26 (0x1A)	R/W	***	Beliebige Zeichenfolge mit bis zu 32 Zeichen	StringT	max. 32 Bytes
Prozessdateneingabe	40 (0x28)	RO	-	-	IntegerT	32 Bit

7.2.2. Überwachung

Parametername	Index, dec (hex)	Zugriff	Standardwert	Datenbereich	Datentyp	Länge
Prozessdatenkonfiguration	70 (0x46)	R/W	-	-	-	-
Analogwert	1 (0x01)	R/W	1 = Analogwert aktiv	0 = Analogwert inaktiv 1 = Analogwert aktiv	RecordT	16 bit
Schaltausgang 1	2 (0x02)	R/W	1 = Schaltausgang 1 aktiv	0 = Schaltausgang 1 inaktiv 1 = Schaltausgang 1 aktiv	RecordT	16 bit
Schaltausgang 2	3 (0x03)	R/W	1 = Schaltausgang 2 aktiv	0 = Schaltausgang 2 inaktiv 1 = Schaltausgang 2 aktiv	RecordT	16 bit
Schaltsignalkanal 1	4 (0x04)	R/W	0 = SSC1 inaktiv	0 = SSC1 inaktiv 1 = SSC1 aktiv	RecordT	16 bit
Schaltsignalkanal 2	5 (0x05)	R/W	0 = SSC2 inaktiv	0 = SSC2 inaktiv 1 = SSC2 aktiv	RecordT	16 bit
Verschmutzungsalarm 1	6 (0x06)	R/W	0 = DA1 inaktiv	0 = DA1 inaktiv 1 = DA1 aktiv	RecordT	16 bit
Verschmutzungsalarm 2	7 (0x07)	R/W	0 = DA2 inaktiv	0 = DA2 inaktiv 1 = DA2 aktiv	RecordT	16 bit
Temperaturalarm	8 (0x08)	R/W	0 = TA inaktiv	0 = TA inaktiv 1 = TA aktiv	RecordT	16 bit
Kurzschluss	9 (0x09)	R/W	0 = SC inaktiv	0 = SC inaktiv 1 = SC aktiv	RecordT	16 bit
Wassertropfen-Alarm 1	10 (0x10)	R/W	0 = WDA1 inaktiv	0 = WDA1 inaktiv 1 = WDA1 aktiv	RecordT	16 bit
Wassertropfen-Alarm 2	11 (0x11)	R/W	0 = WDA2 inaktiv	0 = WDA2 inaktiv 1 = WDA2 aktiv	RecordT	16 bit
Anwendung Funktion Ausgang 1	12 (0x12)	R/W	0 = AFO1 inaktiv	0 = AFO1 inaktiv 1 = AFO1 aktiv	RecordT	16 bit

7.2.3. SSC-Parameter

Parametername	Index, dec (hex)	Zugriff	Standardwert	Datenbereich	Datentyp	Länge
Teach-In Auswahl	58 (0x3A)	RW	1 = Schaltsignalkanal 1	0 = Kein Kanal ausgewählt 1 = SSC1 (Schaltsignalkanal 1) 2 = SSC2 (Schaltsignalkanal 2)	UIntegerT	8 Bit
Teach-In Ergebnis	59 (0x3B)	-	-	-	RecordT	8 Bit
Teach-In Zustand	1 (0x01)	RO	0 = Ruhemodus	0 = Ruhemodus 1 = Erfolgreich 4 = Warte auf Befehl 5 = Beschäftigt 7 = Fehler	RecordT	8 Bit
TP1 (Teachpunkt 1) von SP1 (Sollwert 1)	2 (0x02)	RO	0 = Nicht OK	0 = Nicht OK 1 = OK	RecordT	8 Bit
TP2 (Teachpunkt 2) von SP1 (Sollwert 1)	3 (0x03)	RO	0 = Nicht OK	0 = Nicht OK 1 = OK	RecordT	8 Bit
TP1 (Teachpunkt 1) von SP2 (Sollwert 2)	4 (0x04)	RO	0 = Nicht OK	0 = Nicht OK 1 = OK	RecordT	8 Bit
TP2 (Teachpunkt 2) von SP2 (Sollwert 2)	5 (0x05)	RO	0 = Nicht OK	0 = Nicht OK 1 = OK	RecordT	8 Bit
SSC1-Parameter (Schaltsignalkanal)	60 (0x3C)	-	-	-	-	-
Sollwert 1 (SP1)	1 (0x01)	R/W	100	0 ... 13 500	IntegerT	16 Bit
Sollwert 2 (SP2)	2 (0x02)	R/W	13 500	0 ... 13 500	IntegerT	16 Bit
SSC1-Konfiguration (Schaltsignalkanal)	61 (0x3D)	-	-	-	-	-
Schaltlogik	1 (0x01)	R/W	0 = Aktiv-high	0 = Aktiv-high 1 = Aktiv-low	UIntegerT	8 Bit
Modus	2 (0x02)	R/W	1 = Ein Grenzwert	0 = Deaktiviert 1 = Ein Grenzwert 2 = Fensterbetrieb 3 = Zwei-Grenzwerte	UIntegerT	8 Bit
Hysterese	3 (0x03)	R/W	25%	5 ... 99%	UIntegerT	16 Bit
SSC2-Parameter	62 (0x3E)	-	-	-	-	-
Sollwert 1 (SP1)	1 (0x01)	R/W	100	0 ... 13 500	IntegerT	16 Bit
Sollwert 2 (SP2)	2 (0x02)	R/W	13 500	0 ... 13 500	IntegerT	16 Bit
SSC2-Konfiguration	63 (0x3F)	-	-	-	-	-
Schaltlogik	1 (0x01)	R/W	0 = Aktiv-high	0 = Aktiv-high 1 = Aktiv-low	UIntegerT	8 Bit
Modus	2 (0x02)	R/W	0 = Deaktiviert	0 = Deaktiviert 1 = Ein-Grenzwert-Modus 2 = Fensterbetrieb 3 = Zwei-Grenzwerte-Modus	UIntegerT	8 Bit
Hysterese	3 (0x03)	R/W	25%	5 ... 99%	UIntegerT	16 Bit

7.2.4. Ausgangsparameter

Parametername	Index, dec (hex)	Zugriff	Standardwert	Datenbereich	Datentyp	Länge
Kanal 1 Setup (S01)	64 (0x40)	-	-	-	-	-
Schaltausgangsstufe	1 (0x01)	R/W	1 = PNP-Ausgang	0 = Deaktivierter Ausgang 1 = PNP-Ausgang 2 = NPN-Ausgang 3 = Gegentakt-Ausgang	UIntegerT	8 Bit
Eingangswähler 1	2 (0x02)	R/W	1 = SSC 1	0 = Deaktiviert 1 = SSC 1 2 = SSC 2 3 = Verschmutzungsalarm 1 (DA1) 4 = Verschmutzungsalarm 2 (DA2) 5 = Temperaturalarm (TA) 6 = Externer Logikeingang 7 = Anwendung Funktionen	UIntegerT	8 Bit
Timer – Modus	3 (0x03)	R/W	0 = Deaktivierter Timer	0 = Deaktivierter Timer 1 = Einschaltverzögerung 2 = Ausschaltverzögerung 3 = Ein-/Ausschaltverzögerung 4 = Einschaltwischend 5 = Ausschaltwischend	UIntegerT	8 Bit
Timer – Skala	4 (0x04)	R/W	0 = Millisekunden	0 = Millisekunden 1 = Sekunden 2 = Minuten	UIntegerT	8 Bit
Timer – Wert	5 (0x05)	R/W	0	0 ... 32.767	IntegerT	16 Bit
Logikfunktion	7 (0x07)	R/W	0 = Direkt	0 = Direkt 1 = AND 2 = OR 3 = XOR 4 = RS-Flip-Flop	UIntegerT	8 Bit
Ausgangsinvertierer	8 (0x08)	R/W	0 = Nicht invertiert (Schließer)	0 = Nicht invertiert (Schließer) 1 = Invertiert (Öffner)	UIntegerT	8 Bit
Kanal 2 Setup (S02)	65 (0x41)	-	-	-	-	-
Schaltausgangsstufe	1 (0x01)	R/W	1 = PNP-Ausgang	0 = Deaktivierter Ausgang 1 = PNP-Ausgang 2 = NPN-Ausgang 3 = Gegentakt-Ausgang 4 = Digitaler Logikeingang (aktiv-high/Pull-down) 5 = Digitaler Logikeingang (aktiv-low/Pull-up) 6 = Teachen (aktiv-high)	UIntegerT	8 Bit
Eingangswähler 2	2 (0x02)	R/W	1 = SSC 1	0 = Deaktiviert 1 = SSC 1 2 = SSC 2 3 = Verschmutzungsalarm 1 (DA1) 4 = Verschmutzungsalarm 2 (DA2) 5 = Temperaturalarm (TA) 6 = Externer Logikeingang 7 = Anwendung Funktionen	UIntegerT	8 Bit
Timer – Modus	3 (0x03)	R/W	0 = Deaktivierter Timer	0 = Deaktivierter Timer 1 = Einschaltverzögerung 2 = Ausschaltverzögerung 3 = Ein-/Ausschaltverzögerung 4 = Einschaltwischend 5 = Ausschaltwischend	UIntegerT	8 Bit
Timer – Skala	4 (0x04)	R/W	0 = Millisekunden	0 = Millisekunden 1 = Sekunden 2 = Minuten	UIntegerT	8 Bit
Timer – Wert	5 (0x05)	R/W	0	0 ... 32.767	IntegerT	16 Bit
Logikfunktion	7 (0x07)	R/W	0 = Direkt	0 = Direkt 1 = AND 2 = OR 3 = XOR 4 = RS-Flip-Flop	UIntegerT	8 Bit
Ausgangsinvertierer	8 (0x08)	R/W	1 = Invertiert (Öffner)	0 = Nicht invertiert (Schließer) 1 = Invertiert (Öffner)	UIntegerT	8 Bit

7.2.5. Sensorspezifisch einstellbare Parameter

Parametername	Index, dec (hex)	Zugriff	Standardwert	Datenbereich	Datentyp	Länge
Einstellung Lokal-/Remote-Teach	68 (0x44)	R/W	1 = Potentiometer	0 = Deaktiviert 1 = Potentiometer 2 = Leitungsteach	UIntegerT	8 Bit
Potentiometerwert SP1	69 (0x45)	RO	70	70 ... 13 500	UIntegerT	16 bit
Anwendungsspez. Sensorvoreinstellung	71 (0x47)	R/W	0 = Standard Präzision	0 = Standard Präzision 1 = Hohe Präzision 2 = Kundenspezifisch (ErfassungsfILTER)	UIntegerT	8 Bit
Temperaturalarm-Grenzwert	72 (0x48)	-	-	-	-	-
Oberer Grenzwert	1 (0x01)	R/W	70°C	-30 ... 70°C	IntegerT	16 Bit
Unterer Grenzwert	2 (0x02)	R/W	-20°C	-30 ... 70°C	IntegerT	16 Bit
Sichere EIN/AUS-Grenzwerte	73 (0x49)	-	-	-	-	-
SSC 1 – Sicherer Grenzwert	1 (0x01)	R/W	20%	1 ... 100%	IntegerT	8 bit
SSC 2 – Sicherer Grenzwert	2 (0x02)	R/W	20%	1 ... 100%	IntegerT	8 bit
ErfassungsfILTER	77 (0x4D)	R/W	1	1 ... 255	UIntegerT	8 Bit
LED-Anzeige	78 (0x4E)	R/W	1 = LED-Anzeige aktiv	0 = LED-Anzeige inaktiv 1 = LED-Anzeige aktiv 2 = Meinen Sensor finden	UIntegerT	8 Bit
Hysteres-Modus	80 (0x50)	R/W	0 = Hysteres manuell eingestellt	0 = Hysteres manuell eingestellt 1 = Hysteres automatisch eingestellt	UIntegerT	8 Bit
SSC1 Automatischer Hystereswert	81 (0x51)	-	-	-	-	-
SP1 Automatischer Hystereswert	1 (0x01)	RO	-	5 ... 99%	UIntegerT	16 Bit
SP2 Automatischer Hystereswert	2 (0x02)	RO	-	5 ... 99%	UIntegerT	16 Bit
Schutz vor gegenseitiger Beeinflussung	84 (0x54)	R/W	0 = Off	0 = Off 1 = 1-Sensor-Betrieb 2 = 2-Sensor - Sensor1 3 = 2-Sensor - Sensor2 4 = 3-Sensor - Sensor1 5 = 3-Sensor - Sensor2 6 = 3-Sensor - Sensor3	UIntegerT	8 bit

7.2.6. Auto Adjust

Parametername	Index, dec (hex)	Zugriff	Standardwert	Datenbereich	Datentyp	Länge
Setup Auto Adjust	85 (0x54)	-	-	-	-	-
Setup Auto Adjust	1 (0x01)	R/W	0 = Automatische Einstellung Inaktiv	0 = Automatische Einstellung Inaktiv 1 = Automatische Einstellung aktiv	UIntegerT	8 bit
Fenstergröße einstellen	2 (0x02)	R/W	20%	5 ... 50%	UIntegerT	8 bit
Auflösung verändern	3 (0x03)	R/W	50%	5 ... 100%	UIntegerT	8 bit
Korrigierte Sollwerte	86 (0x56)	-	-	-	-	-
SSC1	4 (0x04)	RO	100	0 ... 13 500	UIntegerT	16 bit
SSC2	5 (0x05)	RO	100	0 ... 13 500	UIntegerT	16 bit

7.2.7. Anwendung Funktionen

Parametername	Index, dec (hex)	Zugriff	Standardwert	Datenbereich	Datentyp	Länge
Anwendung Funktion Selektor	88 (0x58)	RO	0 = Keine Anwendungs-Funktion ausgewählt	0 = Keine Anwendungs-Funktion ausgewählt 1 = Geschwindigkeit und Länge 2 = Mustererkennung 3 = Teiler 4 = Objekt- und Lückenüberwachung	UIntegerT	8 bit

7.2.7.1. Geschwindigkeit und Länge

Parametername	Index, dec (hex)	Zugriff	Standardwert	Datenbereich	Datentyp	Länge
Setup	89 (0x59)	-	-	-	-	-
Sensor-Betrieb	1 (0x01)	R/W	0 = Keine Rolle ausgewählt	0 = Keine Rolle ausgewählt 1 = Sensor triggern 2 = Haupt-Sensor	UIntegerT	8 bit
Abstand zwischen Sensoren	2 (0x02)	R/W	100 mm	25 ... 150 mm	UIntegerT	8 bit
Ergebnisse	90 (0x5A)	-	-	-	-	-
Objektgeschwindigkeit	1 (0x01)	RO	-	0 ... 2 000 mm/sec	UIntegerT	16 bit
Objektlänge	2 (0x02)	RO	-	25 ... 60 000 mm	UIntegerT	16 bit
Status	3 (0x03)	RO	0 = IDLE	0 = IDLE 1 = Messung läuft 2 = Geschwindigkeit zu hoch 3 = Zeitüberschreitung 4 = Objekt zu lang 5 = Logikfehler	UIntegerT	8 bit

7.2.7.2. Mustererkennung

Parametername	Index, dec (hex)	Zugriff	Standardwert	Datenbereich	Datentyp	Länge
Setup Mustererkennung	91 (0x5B)	-	-	-	-	-
Zeitüberschreitung	1 (0x01)	R/W	60 sec	1 ... 60 sec	UIntegerT	8 bit
Toleranz	2 (0x02)	R/W	50 %	1 ... 200 %	UIntegerT	8 bit
Sensor-Rolle	3 (0x03)	R/W	0 = Keine Rolle ausgewählt	0 = Keine Rolle ausgewählt 1 = Sensor triggern 2 = Haupt-Sensor	UIntegerT	8 bit
Ergebnis Mustererkennung	92 (0x5C)	-	-	-	-	-
Referenz-Muster	1 (0x01)	RO	0 = Nicht gespeichert	0 = Nicht gespeichert 1 = Gespeichert	UIntegerT	8 bit
Referenz-Muster Anzahl Kanten	2 (0x02)	RO	0	0 ... 20	UIntegerT	8 bit
Anzahl Kanten letztes Muster	3 (0x03)	RO	0	0 ... 20	UIntegerT	8 bit
Status Mustererkennung	4 (0x04)	RO	0 = IDLE	0 = IDLE 1 = Messung läuft 2 = Musterabgleich 3 = Zeitüberschreitung 4 = Zu viele Kanten 5 = FEHLER KANTEN Zählung 6 = FEHLER KANTEN Timing	UIntegerT	8 bit

7.2.7.2. Mustererkennung (forts.)

Parametername	Index, dec (hex)	Zugriff	Standardwert	Datenbereich	Datentyp	Länge
Menü Überwachung						
Mustererkennung	97 (0x61)	-	-	-	-	-
Zeitstempel 1 ... 20	1 ... 20 (0x01 ... 14)	R/W	0	Zeitstempel für jedes Ereignis \[ms]. Bezogen auf den Start (Zeit 0)	UIntegerT	16 bit
Muster Zeitstempel 1 ... 20	21 ... 40 (0x15 ... 28)	R/W	0 = Keine Flanke	0 = Keine Flanke 1 = Positive Flanke 2 = Negative Flanke	UIntegerT	8 bit
Dauer Objekterkennung	41 (0x29)	R/W	0 ms	0 ... 65 535 ms	UIntegerT	16 bit
Referenz-Muster	42 (0x2A)	R/W	0 = Nicht gespeichert	0 = Nicht gespeichert 1 = Gespeichert	UIntegerT	8 bit
Referenz-Muster Anzahl Kanten	43 (0x2B)	R/W	0	0 ... 20	UIntegerT	8 bit

7.2.7.3. Teiler

Parametername	Index, dec (hex)	Zugriff	Standardwert	Datenbereich	Datentyp	Länge
Setup Teiler und Zähler	93 (0x5D)	-	-	-	-	-
Zähler Grenzwert	1 (0x01)	R/W	5	1 ... 65 535	UIntegerT	16 bit
Zählerwert Voreinstellung	2 (0x02)	R/W	0 -	0 ... 65 535	UIntegerT	16 bit
Result	94 (0x5E)	-	-	-	-	-
Zähler Wert	1 (0x01)	RO	-	0 ... 65 535	UIntegerT	16 bit

7.2.7.4. Objekt- und Lückenüberwachung

Parametername	Index, dec (hex)	Zugriff	Standardwert	Datenbereich	Datentyp	Länge
Setup Objekt- und Lückenüberwachung	95 (0x5F)	-	-	-	-	-
Objekt minimale Dauer	1 (0x01)	R/W	500 ms	10 ... 60 000 ms	UIntegerT	16 bit
Objekt maximale Dauer	2 (0x02)	R/W	10 000 ms	10 ... 60 000 ms	UIntegerT	16 bit
Lücke minimale Dauer	3 (0x03)	R/W	500 ms	10 ... 60 000 ms	UIntegerT	16 bit
Lücke maximale Dauer	4 (0x04)	R/W	10 000 ms	10 ... 60 000 ms	UIntegerT	16 bit
Ergebnis Objekt- und Lückenüberwachung	96 (0x60)	-	-	-	-	-
Objekt-Dauer	1 (0x01)	RO	0 ms	0 ... 60 000 ms	UIntegerT	16 bit
Lücken-Dauer	2 (0x02)	RO	0 ms	0 ... 60 000 ms	UIntegerT	16 bit
Objektstatus	3 (0x03)	RO	0 = IDLE	0 = IDLE 1 = Messung läuft 2 = Innerhalb Grenzwert 3 = Zeit zu lang 4 = Zeit zu kurz	UIntegerT	8 bit
Lückenstatus	4 (0x04)	RO	0 = IDLE	0 = IDLE 1 = Messung läuft 2 = Innerhalb Grenzwert 3 = Zeit zu lang 4 = Zeit zu kurz	UIntegerT	8 bit

7.2.8. Diagnoseparameter

Parametername	Index, dec (hex)	Zugriff	Standardwert	Datenbereich	Datentyp	Länge
Sensor-Diagnose						
Frontend Fehler	209 (0xD1)	RO	0 = OK	0 = OK. 1 = Fehler.	IntegerT	8 bit
EE_MemoryFailure (beim Einschalten)	208 (0xD0)	-	-	-	-	-
Speicher Fehler	1 (0x01)	RO	0 = OK	0 = OK. 1 = Fehler.	IntegerT	8 bit
Temperatur-Diagnose						
Höchsttemperatur - Höchstwert seit Beginn der Aufzeichnung	203 (0xCB)	RO	- °C	-50 ... 150 [°C]	IntegerT	16 Bit
Tiefsttemperatur - Tiefstwert seit Beginn der Aufzeichnung	204 (0xCC)	RO	- °C	-50 ... 150 [°C]	IntegerT	16 Bit
Höchsttemperatur seit dem Einschalten	205 (0xCD)	RO	- °C	-50 ... 150 [°C]	IntegerT	16 Bit
Tiefsttemperatur seit dem Einschalten	206 (0xCE)	RO	- °C	-50 ... 150 [°C]	IntegerT	16 Bit
Aktuelle Temperatur	207 (0xCF)	RO	- °C	-50 ... 150 [°C]	IntegerT	16 Bit
Minuten über Höchsttemperatur	211 (0xD3)	RO	0 min	0 ... 2.147.483.647 [min]	IntegerT	32 Bit
Minuten unter Mindesttemperatur	212 (0xD4)	RO	0 min	0 ... 2.147.483.647 [min]	IntegerT	32 Bit
Betriebs-Diagnose						
Betriebsstunden	201 (0xC9)	RO	0 h	0 ... 2.147.483.647 [h]	IntegerT	32 Bit
Anzahl der Ein- und Ausschaltzyklen	202 (0xCA)	RO	0	0 ... 2147483647	IntegerT	32 Bit
SSCI Erfassungszähler	210 (0xD2)	RO	0	0 ... 2147483647	IntegerT	32 Bit
Zähler für Wartungsereignisse	213 (0xD5)	RO	0	0 ... 2 147 483 647	IntegerT	32 bit
Download-Zähler	214 (0xD6)	RO	0	0 ... 65 536	UIntegerT	16 Bit
Qualität des Teachvorgangs	75 (0x4B)	RO	-	0 ... 255	UIntegerT	8 Bit
Prozessqualität	76 (0x4C)	RO	-	0 ... 255	UIntegerT	16 Bit
Funktionsreserve	83 (0x53)	RO	-	1 ... 255%	UIntegerT	8 bit
Fehleranzahl	32 (0x20)	RO	0	0 ... 65 535	IntegerT	16 Bit
Gerätestatus	36 (0x24)	RO	0 = Gerät arbeitet einwandfrei	0 = Gerät arbeitet einwandfrei 1 = Wartung erforderlich 2 = Außerhalb der Spezifikation 3 = Funktionsprüfung 4 = Störung	UIntegerT	8 Bit
Detaillierter Gerätestatus	37 (0x25)		-	-	-	-
Temperaturfehler	-	RO	-	-	OctetStringT	3 Bytes
Temperaturüberschreitung	-	RO	-	-	OctetStringT	3 Bytes
Temperaturunterschreitung	-	RO	-	-	OctetStringT	3 Bytes
Kurzschluss	-	RO	-	-	OctetStringT	3 Bytes
Wartung erforderlich	-	RO	-	-	OctetStringT	3 Bytes

7.2.8. Diagnoseparameter (forts.)

Parametername	Index, dec (hex)	Zugriff	Standardwert	Datenbereich	Datentyp	Länge
Ereigniskonfiguration						
Ereigniskonfiguration	74 (0x4A)	R/W	-	-	-	-
Ereignis_Wartung (0x8C30)	1 (0x01)	R/W	0 = Ereignis_Wartung inaktiv	0 = Ereignis_Wartung inaktiv 1 = Ereignis_Wartung aktiv	RecordT	16 bit
Ereignis_Temperaturfehler (0x4000)	2 (0x02)	R/W	0 = Ereignis_Temperaturfehler inaktiv	0 = Ereignis_Temperaturfehler inaktiv 1 = Ereignis_Temperaturfehler aktiv	RecordT	16 bit
Ereignis_Temperaturüberschreitung (0x4210)	3 (0x03)	R/W	0 = Ereignis_Temperaturüberschreitung inaktiv	0 = Ereignis_Temperaturüberschreitung inaktiv 1 = Ereignis_Temperaturüberschreitung aktiv	RecordT	16 bit
Ereignis_Temperaturunterschreitung (0x4220)	4 (0x04)	R/W	0 = Ereignis_Temperaturunterschreitung inaktiv	0 = Ereignis_Temperaturunterschreitung inaktiv 1 = Ereignis_Temperaturunterschreitung aktiv	RecordT	16 bit
Ereignis_Kurzschluss (0x7710)	5 (0x05)	R/W	0 = Ereignis_Kurzschluss inaktiv	0 = Ereignis_Kurzschluss inaktiv 1 = Ereignis_Kurzschluss aktiv	RecordT	16 bit



Cellule photoélectrique IO-Link

PD30ETDx10BPxxIO

Instruction manual

Betriebsanleitung

Manuel d'instructions

Manual de instrucciones

Manuale d'istruzione

Brugervejledning

使用手册

Carlo Gavazzi Industri Over Hadstenevej 40, 8370 Hadsten, Danmark

Table des matières

1. Introduction	91
1.1. Description	91
1.2. Validité de la documentation	91
1.3. Qui doit utiliser cette documentation	91
1.4. Utilisation du produit	91
1.5. Précautions de sécurité	91
1.7. Acronymes	92
2. Produit	93
2.1. Caractéristiques principales	93
2.2. Numéro d'identification	93
2.3. Modes de fonctionnement	94
2.3.1. Mode SIO	94
2.3.2. Mode IO-Link	94
2.3.3. Données de processus	95
2.4. Paramètres de sortie	96
2.4.1. Face avant du capteur	97
2.4.1.1. Canal du signal de commutation SSC	97
2.4.1.2. Mode Point de commutation	97
2.4.1.3. Réglages de l'hystérésis	98
2.4.1.4. Alarme de poussière 1 et Alarme de poussière 2	98
2.4.1.5. Alarme de goutte d'eau 1 et Alarme de goutte d'eau 2	98
2.4.1.6. Alarme de température (TA)	99
2.4.1.7. Entrée externe	99
2.4.2. Réglage automatique	99
2.4.3. Sélecteur de l'entrée	99
2.4.4. Bloc fonctionnel logique	99
2.4.5. Minuterie (peut être réglée individuellement pour Out1 et Out2)	101
2.4.5.1. Mode minuterie	101
2.4.5.1.1. Désactivé	101
2.4.5.1.2. Retard à la mise sous tension (T-on)	101
2.4.5.1.3. Retard à l'arrêt (T-off)	102
2.4.5.1.4. Retard à la mise sous tension et à l'arrêt (T-on et T-off)	102
2.4.5.1.5. Impulsion sur bord d'attaque	102
2.4.5.1.6. Impulsion sur bord de sortie	103
2.4.5.2. Échelle de temps	103
2.4.5.3. Valeur de la minuterie	103
2.4.6. Inversion de la sortie	103
2.4.7. Mode Étage de sortie	103
2.4.8. Fonctions d'application	104
2.4.8.1. Vitesse et longueur	104
2.4.8.1.1. Conditions	104
2.4.8.1.2. Vitesse et longueur – Configuration	104
2.4.8.2. Reconnaissance de motif	105
2.4.8.2.1. Conditions	105
2.4.8.2.2. Reconnaissance de motif – Configuration	105
2.4.8.3. Fonction de diviseur	107
2.4.8.3.1. Conditions	107
2.4.8.3.2. Fonction de diviseur – Configuration	107
2.4.8.4. Surveillance des objets et des espaces	108
2.4.8.4.1. Conditions	108
2.4.8.4.2. Surveillance des objets et des espaces – Configuration	108
2.5. Paramètres réglables spécifiques au capteur	109
2.5.1. Sélection du réglage local ou à distance	109
2.5.2. Données de trimmer	109
2.5.3. Configuration des données de processus	109
2.5.4. Sélection de la mesure du capteur	110
2.5.5. Seuil d'alarme de la température	110
2.5.6. Limites de sécurité	110
2.5.6.1. ON stable	110
2.5.6.2. OFF stable	110

2.5.7. Configuration des événements	110
2.5.8. Qualité du fonctionnement QoR	111
2.5.9. Qualité de l'apprentissage QoT	111
2.5.10. Excès de gain	112
2.5.11. Degré de filtrage	112
2.5.12. Interférences mutuelles	112
2.5.13. Indication par LED	112
2.5.14. Mode d'hystérésis	112
2.5.15. Valeur de l'hystérésis automatique	112
2.6. Procédure d'apprentissage avec le SCTL55 ou un maître IO-Link	113
2.6.1. Apprentissage externe (apprentissage par fil)	113
2.6.2. Apprentissage depuis le maître IO-Link ou le configurateur intelligent (SCTL55)	113
2.6.2.1. Procédure en mode Point unique	113
2.6.2.2. Procédure en mode Deux points	115
2.6.2.3. Procédure en mode Fenêtre	116
2.7. Paramètres de diagnostic	118
2.7.1. Heures de fonctionnement	118
2.7.2. Nombre de cycles de puissance [cycles]	118
2.7.3. Température maximale - depuis toujours [°C]	118
2.7.4. Température minimale - depuis toujours [°C]	118
2.7.5. Température maximale - depuis la dernière mise sous tension [°C]	118
2.7.6. Température minimale - depuis la dernière mise sous tension [°C]	118
2.7.7. Température actuelle [°C]	118
2.7.8. Compteur de détection [cycles]	118
2.7.9. Minutes au-dessus de la température maximale [min]	118
2.7.10. Minutes en dessous de la température minimale [min]	118
2.7.11. Compteur de téléchargement	118
3. Schémas de câblage	119
4. Mise en service	119
5. Fonctionnement	120
5.1. Interface utilisateur du PD30ETDx10BPxxIO	120
6. Fichier IODD et réglage d'usine	121
6.1. Fichier IODD d'un appareil IO-Link	121
6.2. Réglages d'usine	121
7. Annexe	121
7.1. Acronymes	121
7.2. Paramètres des dispositifs IO-Link pour le PD30ETD IO-Link	122
7.2.1. Paramètres de l'appareil	122
7.2.2. Surveillance	122
7.2.3. Paramètres de SSC	123
7.2.4. Paramètres de sortie	124
7.2.5. Paramètres réglables spécifiques au capteur	125
7.2.6. Réglage automatique	125
7.2.7. Fonction d'application	126
7.2.7.1. Vitesse et longueur	126
7.2.7.2. Reconnaissance de motif	126
7.2.7.2. Reconnaissance de motif (cont)	127
7.2.7.3. Diviseur	127
7.2.7.4. Surveillance des objets et des espaces	127
7.2.8. Paramètres de diagnostic	128
Dimensions	291
Excès de gain	291
Diagramme de détection	292
Conseils d'Installation	293

1. Introduction

Ce manuel est un guide de référence pour les cellules photoélectriques IO-Link PD30ETDx10BPxxIO de Carlo Gavazzi. Il décrit comment installer, régler et utiliser le produit pour son utilisation conforme.

1.1. Description

Les cellules photoélectriques de Carlo Gavazzi sont conçues et fabriquées conformément aux normes internationales IEC et soumises aux directives CE sur la Basse Tension (2014/35/UE) et la Compatibilité Électromagnétique (2014/30/UE).

Tous les droits de ce document sont réservés à Carlo Gavazzi Industri, les copies ne peuvent être faites que pour un usage interne.

N'hésitez pas à faire des suggestions pour améliorer ce document.

1.2. Validité de la documentation

Ce manuel n'est valable que pour les cellules photoélectriques PD30ETDx10BPxxIO avec IO-Link et jusqu'à ce qu'une nouvelle documentation soit publiée.

Ce manuel d'instructions décrit le fonctionnement et l'installation du produit pour l'utilisation prévue.

1.3. Qui doit utiliser cette documentation

Ce manuel contient des informations importantes concernant l'installation et doit être lu et entièrement compris par le personnel spécialisé qui s'occupe de ces cellules photoélectriques.

Nous vous recommandons fortement de lire attentivement le manuel avant d'installer le capteur. Conservez le manuel pour une utilisation ultérieure. Le manuel d'installation est destiné au personnel technique qualifié.

1.4. Utilisation du produit

Ces capteurs photoélectriques à réflexion diffuse sont des capteurs énergétiques, c'est-à-dire que lorsqu'un niveau suffisant de lumière émise atteint le récepteur, le capteur réagit et commute les sorties. Le niveau du signal reçu peut être lu via les données de processus en mode IO-Link.

Les capteurs PD30ETDx10BPxxIO peuvent fonctionner avec ou sans communication IO-Link. Un SCTL55 ou un maître IO-Link permet d'exploiter et de configurer ces appareils.

1.5. Précautions de sécurité

Ce capteur ne doit pas être utilisé dans des applications où la sécurité des personnes dépend de son fonctionnement (le capteur n'est pas conçu conformément à la Directive Machines de l'UE).

L'installation et l'utilisation doivent être effectuées par du personnel technique qualifié ayant des connaissances de base en matière d'installation électrique.

L'installateur est responsable de l'installation correcte et conforme aux normes de sécurité locales et doit s'assurer qu'un capteur défectueux n'entraînera aucun danger pour les personnes ou l'équipement. Si le capteur est défectueux, il doit être remplacé et protégé contre toute utilisation non autorisée.

1.6. Autres documents

Il est possible de trouver la fiche technique, le fichier IODD et le manuel de paramétrage IO-Link sur Internet à l'adresse suivante <http://gavazziautomation.com>

1.7. Acronymes

I/O	Input/Output (entrées/sorties)
PD	Process Data (données de processus)
PLC	Programmable Logic Controller (automate programmable industriel, API)
SIO	Standard Input Output (entrée/sortie standard)
SP	Setpoints (points de consigne)
IODD	I/O Device Description (description d'appareil d'IO)
IEC	International Electrotechnical Commission (commission électrotechnique internationale, CEI)
NO	Normally Open contact (contact normalement ouvert)
NC	Normally Closed contact (contact normalement fermé)
NPN	Mettre la charge à la masse
PNP	Mettre la charge à V+
Push-pull	Mettre la charge à la masse ou à V+
QoR	Quality of Run (qualité du fonctionnement)
QoT	Quality of Teach (qualité de l'apprentissage)
UART	Universal Asynchronous Receiver-Transmitter (émetteur-récepteur asynchrone universel)
SO	Switching Output (sortie de commutation)
SSC	Switching Signal Channel (canal du signal de commutation)
DA	Alarme de poussière
WDA	Alarme de goutte d'eau
AFO	Fonctions d'application sortie
TA	Alarme de température

2. Produit

2.1. Caractéristiques principales

Les capteurs photoélectriques à réflexion diffuse CC IO-Link à 4 fils de Carlo Gavazzi sont fabriqués selon les standards de qualité les plus élevés et disponibles en boîtier en acier inoxydable AISI316L pour les environnements difficiles. Approuvé IP69K et ECOLAB.

Ils peuvent fonctionner en mode I/O standard (SIO), qui est le mode de fonctionnement par défaut. Lorsqu'ils sont connectés à un SCTL55 ou un maître IO-Link, ils passent automatiquement en mode IO-Link et peuvent être utilisés et configurés facilement à distance.

Grâce à leur interface IO-Link, ces appareils sont beaucoup plus intelligents et disposent de nombreuses options de configuration supplémentaires, telles que le réglage de la distance de détection et de l'hystérésis et les fonctions de minuterie de la sortie. Les fonctionnalités avancées telles que le bloc fonctionnel logique et la possibilité de convertir une sortie en entrée externe rendent le capteur très flexible.

Les fonctions d'application telles que la reconnaissance de motifs, le contrôle de la vitesse et de la longueur, la fonction de diviseur et la détection des objets et des espaces sont des fonctions décentralisées dédiées à des tâches de détection spécifiques.

2.2. Numéro d'identification

Code	Option	Description
P	-	Cellule photoélectrique
D	-	Boîtier rectangulaire
30	-	Dimensions du boîtier
E	-	Boîtier en acier inoxydable - AISI316L
T	-	Trimmer sur la face supérieure
D	-	Réflexion diffuse
<input type="checkbox"/>	I	Lumière infrarouge
	R	Lumière rouge
10	-	Distance de détection de 1 000 mm
B	-	Fonctions au choix : NPN, PNP, push-pull, entrée externe (uniquement broche 2), entrée d'apprentissage externe (uniquement broche 2)
P	-	Au choix : NO ou NC
<input type="checkbox"/>	A2	2 mètres de câble en PVC
	M5	Connecteur M8, 4 pôles
IO	-	Version IO-Link

Des caractères supplémentaires peuvent être utilisés pour les versions personnalisées.

2.3. Modes de fonctionnement

Les cellules photoélectriques IO-Link sont équipées de deux sorties de commutation (SO) et peuvent fonctionner dans deux modes différents : SIO (I/O standard) ou IO-Link (broche 4).

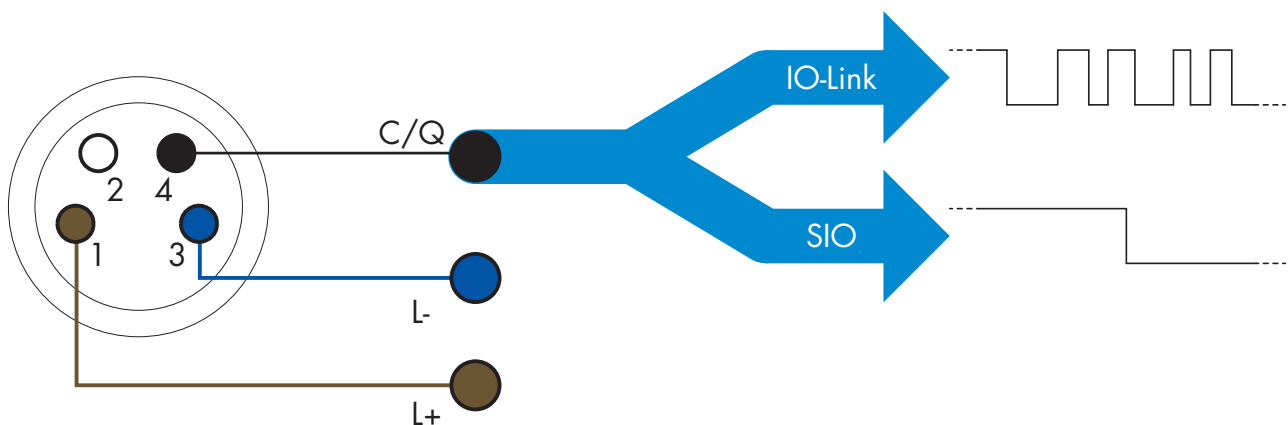
2.3.1. Mode SIO

Lorsque le capteur fonctionne en mode SIO (par défaut), un SCTL55 ou un maître IO-Link n'est pas nécessaire. L'appareil fonctionne comme une cellule photoélectrique standard et peut être commandé via un appareil de bus de terrain ou un contrôleur (par ex. un PLC) lorsqu'il est connecté à ses entrées numériques PNP, NPN ou push-pull (port d'I/O standard). Un des plus grands avantages de ces cellules photoélectriques est la possibilité de les configurer via un SCTL55 ou un maître IO-Link ; ensuite, une fois déconnectées du maître, elles conserveront les derniers paramètres et réglages de configuration. De cette manière, il est par exemple possible de configurer les sorties du capteur individuellement en PNP, NPN ou push-pull, d'ajouter des fonctions de minuterie telles que des temporisations T-on et T-off ou des fonctions logiques, afin de satisfaire plusieurs exigences de l'application avec un seul capteur.

2.3.2. Mode IO-Link

IO-Link est une technologie IO standardisée qui est reconnue dans le monde entier en tant que norme internationale (IEC 61131-9). Il est aujourd'hui considéré comme l'« interface USB » pour les capteurs et les actionneurs dans l'automatisation industrielle. Lorsque le capteur est connecté à un port IO-Link, le SCTL55 ou le maître IO-Link envoie une demande de réveil (impulsion de réveil) au capteur, qui passe automatiquement en mode IO-Link : la communication bidirectionnelle point à point démarre automatiquement entre le maître et le capteur.

La communication IO-Link ne nécessite qu'un câble standard à 3 fils non blindé d'une longueur maximale de 20 mètres.



La communication IO-Link s'effectue par modulation d'impulsions 24 V au moyen d'un protocole UART standard via le câble de commutation et de communication (état de commutation et canal de données C/Q combinés), sur la broche 4 ou le fil noir.

Par exemple, un connecteur M8 mâle à 4 broches possède :

- Alimentation positive : broche 1, marron
- Alimentation négative : broche 3, bleue
- Sortie numérique 1 : broche 4, noire
- Sortie numérique 2 : broche 2, blanche

La vitesse de transmission des capteurs PD30ETDx10BPxxIO est de 38,4 kBaud (COM2).

Une fois connecté au port IO-Link, le maître a accès à distance à tous les paramètres du capteur et aux fonctionnalités avancées, ce qui permet de modifier les réglages et la configuration en cours de fonctionnement et d'activer des fonctions de diagnostic telles que les avertissements de température, les alarmes de température et les données de processus.

Grâce à IO-Link, il est possible de voir les informations du fabricant et le numéro de pièce (données de service)

de l'appareil connecté, ce à partir de la version V1.1. Grâce à la fonction de stockage des données, il est possible de remplacer l'appareil et de transférer automatiquement toutes les informations stockées de l'ancien appareil dans l'unité de remplacement.

L'accès aux paramètres internes permet à l'utilisateur de voir les performances du capteur, par exemple en consultant la température interne.

Les données d'événement permettent à l'utilisateur d'obtenir des informations de diagnostic telles qu'une erreur, une alarme, un avertissement ou un problème de communication.

Il existe deux types de communication indépendants l'un de l'autre entre le capteur et le maître :

- Cyclique pour les données de processus et l'état des valeurs - ces données sont échangées cycliquement.
- Acyclique pour la configuration des paramètres, les données d'identification, les informations de diagnostic et les événements (par ex. messages d'erreur ou avertissements) – ces données peuvent être échangées sur demande.

2.3.3. Données de processus

Par défaut, les données de processus montrent les paramètres suivants comme étant actifs : valeur analogique 16 bits, sortie de commutation 1 (SO1) et sortie de commutation 2 (SO2).

Les paramètres suivants sont définis comme inactifs : SSC1, SSC2, TA, SC, DA1, DA2, AFO1, WDA1, WDA2. Cependant, en modifiant le paramètre Configuration des données de processus, l'utilisateur peut décider d'activer des paramètres inactifs. De cette façon, plusieurs statuts peuvent être observés dans le capteur en même temps.

Les données de processus peuvent être configurées. Voir 2.5.3. Configuration des données de processus.

Octet 0	31	30	29	28	27	26	25	24
	MSB							
Octet 1	23	22	21	20	19	18	17	16
								LSB
Octet 2	15	14	13	12	11	10	9	8
			SC	TA	DA2	DA1	SSC2	SSC1
Octet 3	7	6	5	4	3	2	1	0
	AFO1				WDA2	WDA1	SO2	SO1

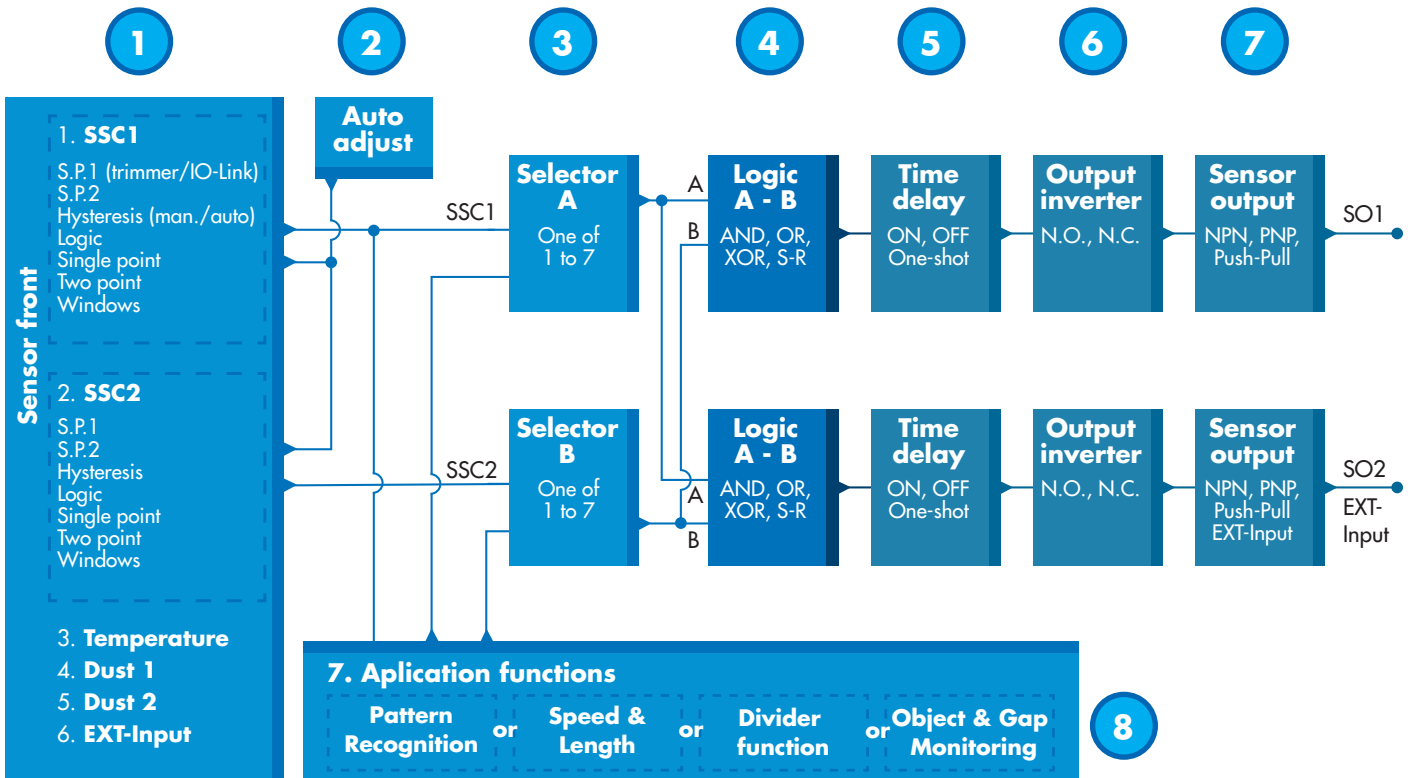
4 octets

Valeur analogique 16 ... 31 (16 bits)

2.4. Paramètres de sortie

Sept fonctions de détection et 4 fonctions d'application sont disponibles. Ces valeurs peuvent être ajustées indépendamment et utilisées comme source pour les sorties de commutation 1 ou 2 ; en plus de ces valeurs, une entrée externe peut être sélectionnée pour SO2. Après avoir sélectionné l'une de ces sources, il est possible de configurer la sortie du capteur avec un SCTL55 ou un maître IO-Link en suivant les sept étapes indiquées dans la configuration des sorties de commutation ci-dessous.

Une fois le capteur déconnecté du maître, il passe en mode SIO et conserve le dernier réglage de configuration.



1

2.4.1. Face avant du capteur

Le capteur à réflexion diffuse émet de la lumière en direction d'un objet cible et mesure le niveau de lumière réfléchi par l'objet. Dès que l'intensité de la lumière reçue dépasse une valeur prédéfinie, le capteur commute la sortie. La portée de détection dépend de la couleur, de la forme et de la structure de l'objet.

2.4.1.1. Canal du signal de commutation SSC

Pour la détection de présence (ou d'absence) d'un objet devant la face avant du capteur, les réglages suivants sont disponibles : SSC1 ou SSC2. Les points de consigne peuvent être réglés entre 100 ... 1 000 [mm]*.

Il n'est pas recommandé d'utiliser des réglages supérieurs à un maximum de 1 000 mm, sauf éventuellement dans des conditions optimales (surface de l'objet, luminosité ambiante, environnement, interférences électromagnétiques, etc.).

2.4.1.2. Mode Point de commutation

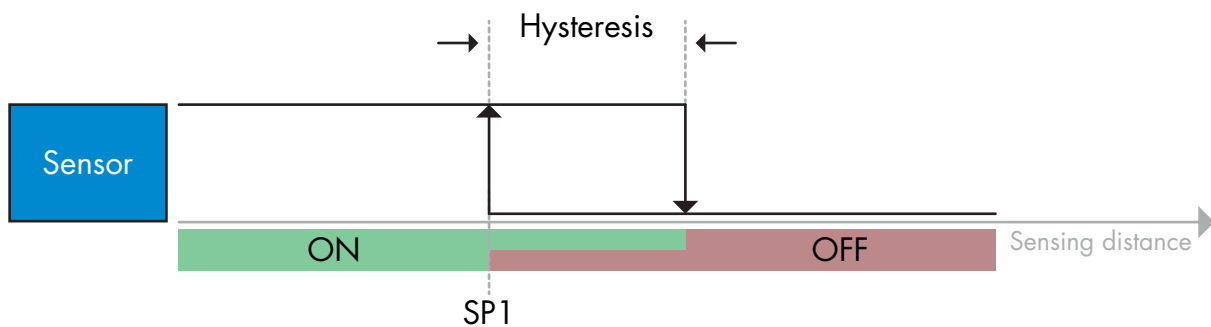
Chaque canal SSC peut être réglé pour fonctionner dans 3 modes ou être désactivé. Le réglage du mode Point de commutation peut être utilisé pour créer un comportement de sortie plus avancé. Les modes Point de commutation suivants sont disponibles au choix pour le comportement de commutation de SSC1 et SSC2

Désactivé

SSC1 et SSC2 peuvent être désactivés séparément.

Mode Point unique

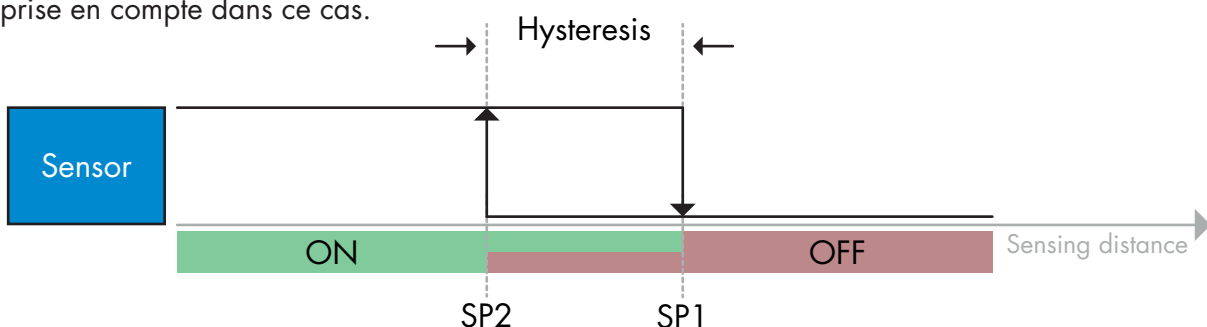
L'information de commutation change lorsque la valeur mesurée dépasse le seuil défini dans le point de consigne SP1, vers le haut ou vers le bas en tenant compte de l'hystérésis.



Exemple de détection de présence - logique non inversée

Mode Deux points

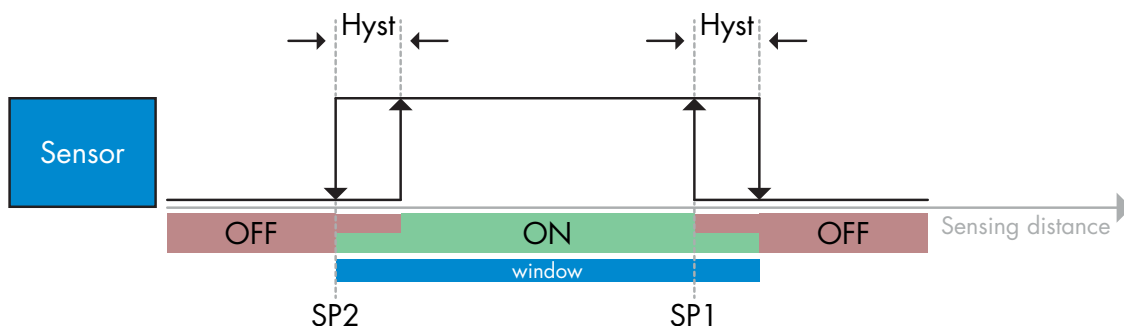
L'information de commutation change lorsque la valeur mesurée dépasse le seuil défini dans le point de consigne SP1. Ce changement ne se produit que lorsque les valeurs de mesure augmentent. L'information de commutation change également lorsque la valeur mesurée dépasse le seuil défini dans le point de consigne SP2. Ce changement ne se produit que lorsque les valeurs de mesure chutent. L'hystérésis n'est pas prise en compte dans ce cas.



Exemple de détection de présence - logique non inversée

Mode Fenêtre

L'information de commutation change lorsque la valeur mesurée dépasse les seuils définis dans les points de consigne SP1 et SP2, vers le haut ou vers le bas en tenant compte de l'hystérésis.



Exemple de détection de présence - logique non inversée

2.4.1.3. Réglages de l'hystérésis

Pour le SSC1, l'hystérésis peut être réglée automatiquement ou manuellement, pour le SSC2 uniquement manuellement. L'hystérésis est définie comme un pourcentage de la valeur choisie pour les points de consigne SP1 et SP2.

Remarque : si le trimmer est sélectionné, le réglage par défaut est toujours l'hystérésis automatique.

Hystérésis automatique :

L'hystérésis automatique garantit un fonctionnement stable pour la plupart des applications.

L'hystérésis est calculée en référence à SP1/SP2. Les valeurs actuelles peuvent être consultées dans le paramètre « Auto-hystérésis SSC1 », elles sont typiquement de 25% de la valeur réglée pour SP1 et SP2.

Hystérésis manuelle :

Si l'hystérésis manuelle est sélectionnée, elle peut être réglée entre 5 et 99%.

Pour les applications qui nécessitent une hystérésis autre qu'automatique, l'hystérésis peut être configurée manuellement. Cette caractéristique rend le capteur plus flexible.

Remarque : il convient de porter une attention particulière à l'application si l'hystérésis choisie est inférieure à l'hystérésis automatique.

2.4.1.4. Alarme de poussière 1 et Alarme de poussière 2

La limite de sécurité peut être réglée individuellement. Elle est définie comme la distance entre le point de commutation de la sortie de commutation et le niveau de signal pour lequel le capteur détecte de manière fiable, même en présence d'une quantité minimale de poussière.

Voir 2.6.6. Limites de sécurité.

2.4.1.5. Alarme de goutte d'eau 1 et Alarme de goutte d'eau 2

La limite de sécurité peut être réglée individuellement. Elle est définie comme la distance entre le point de commutation de la sortie de commutation et le niveau de signal pour lequel le capteur détecte de manière fiable, même en présence d'une quantité minimale de gouttes d'eau.

Voir 2.6.6. Limites de sécurité.

2.4.1.6. Alarme de température (TA)

Le capteur surveille la température interne en permanence. En utilisant le réglage de l'alarme de température, il est possible de déclencher une alarme si les seuils de température sont dépassés. Voir §2.5.5.

Deux réglages indépendants de l'alarme de température sont possibles, l'un pour la température maximale et l'autre pour la température minimale.

Il est possible de consulter la température du capteur via les données de paramètres IO-Link acycliques.

REMARQUE !

En raison de l'échauffement interne, la température mesurée par le capteur sera toujours supérieure à la température ambiante.

La différence entre la température ambiante et la température interne est influencée par la façon dont le capteur est installé dans l'application.

2.4.1.7. Entrée externe

La sortie 2 (SO2) peut être configurée comme une entrée externe, ce qui permet d'envoyer des signaux externes vers le capteur, par exemple en provenance d'un deuxième capteur, d'un PLC ou directement de la sortie de la machine.

2

2.4.2. Réglage automatique

La fonction de réglage automatique peut être activée pour compenser une accumulation de poussière ou de gouttes d'eau.

Le capteur surveille en permanence les signaux reçus de l'objet et de l'arrière-plan sur la base d'un point de consigne prédéfini par le trimmer, au moyen des paramètres IO-Link SSC1_SP1 / SSC2_SP1 ou par apprentissage, et ajuste le point de consigne vers le haut ou vers le bas si un état ON ou OFF stable ne peut pas être atteint.

L'alarme de poussière est activée lorsque le réglage automatique a atteint sa sensibilité maximale et qu'un nettoyage devient nécessaire.

L'alarme de goutte d'eau est activée lorsque le réglage automatique a atteint sa sensibilité minimale et qu'un nettoyage devient nécessaire.

3

2.4.3. Sélecteur de l'entrée

Ce bloc fonctionnel permet à l'utilisateur de sélectionner n'importe quel signal de la « face avant du capteur » pour le canal A ou B.

Canaux A et B : possibilité de choisir entre SSC1, SSC2, l'alarme de poussière 1, l'alarme de poussière 2, l'alarme de goutte d'eau 1, l'alarme de goutte d'eau 2, l'alarme de température et l'entrée externe.

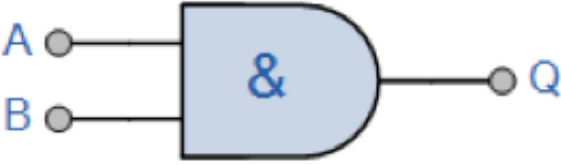
4

2.4.4. Bloc fonctionnel logique

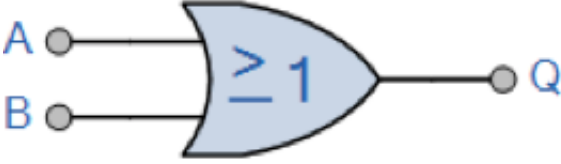
Dans le bloc fonctionnel logique, une fonction logique peut être ajoutée directement aux signaux sélectionnés dans le sélecteur d'entrée sans utiliser de PLC, ce qui permet de prendre des décisions décentralisées.

Les fonctions logiques disponibles sont : ET, OU, OU exclusif et verrou RS.

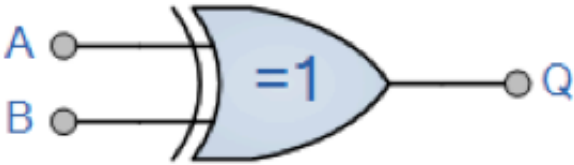
Fonction ET

Symbole	Table de vérité		
 <p>Porte ET - 2 entrées</p>	A	B	Q
	0	0	0
	0	1	0
	1	0	0
	1	1	1
Expression booléenne Q = A.B	Lire A ET B donne Q		

Fonction OU

Symbole	Table de vérité		
 <p>Porte OU - 2 entrées</p>	A	B	Q
	0	0	0
	0	1	1
	1	0	1
	1	1	1
Expression booléenne Q = A + B	Lire A OU B donne Q		

Fonction OU exclusif

Symbole	Table de vérité		
 <p>Porte OU exclusif - 2 entrées</p>	A	B	Q
	0	0	0
	0	1	1
	1	0	1
	1	1	0
Expression booléenne Q = A ⊕ B	Lire A OU B mais PAS LES DEUX donne Q		

Fonction Verrou RS avec porte

The function is designed to: e.g. start or stop signal for a buffer conveyor dependent on the fill status of the
La fonction est conçue de telle sorte que, par exemple, un signal de démarrage ou d'arrêt pour un convoyeur tampon soit émis en fonction du niveau de remplissage des convoyeurs d'alimentation ou d'évacuation voisins avec seulement deux capteurs interconnectés.

Symbole	Table de vérité		
	A	B	Q
	0	0	0
	0	1	X
	1	0	X
	1	1	1

X - aucune modification de la sortie.

5

2.4.5. Minuterie (peut être réglée individuellement pour Out1 et Out2)

La minuterie permet à l'utilisateur d'introduire différentes fonctions de minuterie en modifiant ses 3 paramètres :

- Mode minuterie
- Échelle de temps
- Valeur de la minuterie

2.4.5.1. Mode minuterie

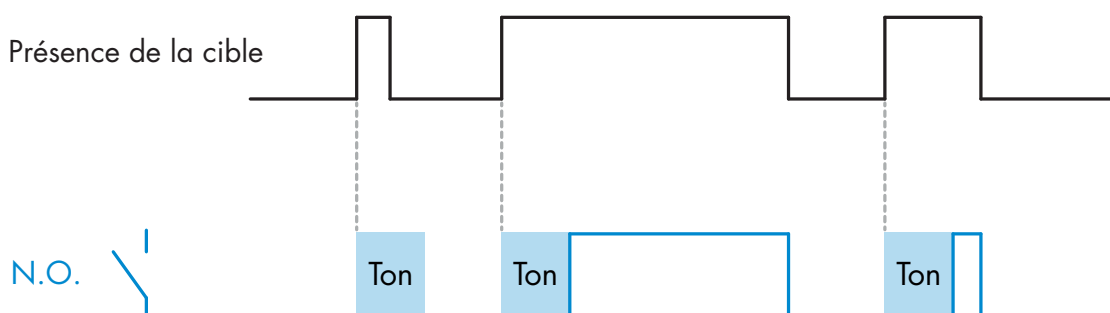
Sélectionne le type de fonction de minuterie introduit sur la sortie de commutation. L'une des options suivantes est possible :

2.4.5.1.1. Désactivé

Cette option désactive la fonction de minuterie, quels que soient les réglages de l'échelle de temps et du délai de la minuterie.

2.4.5.1.2. Retard à la mise sous tension (T-on)

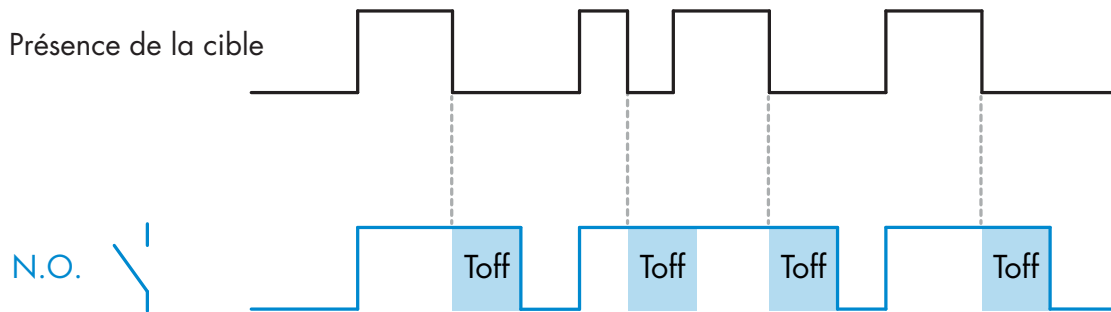
L'activation de la sortie de commutation est générée après l'actionnement effectif du capteur comme indiqué sur la figure ci-dessous.



Exemple avec la sortie normalement ouverte

2.4.5.1.3. Retard à l'arrêt (T-off)

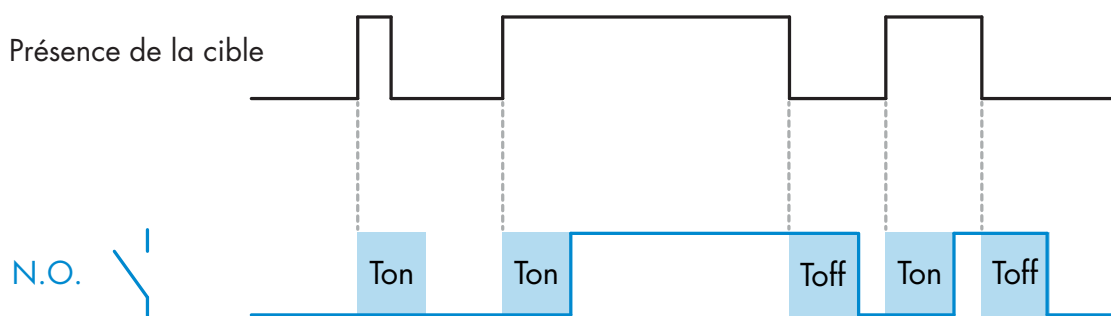
La désactivation de la sortie de commutation est retardée par rapport au moment du retrait de la cible devant le capteur comme indiqué sur la figure ci-dessous.



Exemple avec la sortie normalement ouverte

2.4.5.1.4. Retard à la mise sous tension et à l'arrêt (T-on et T-off)

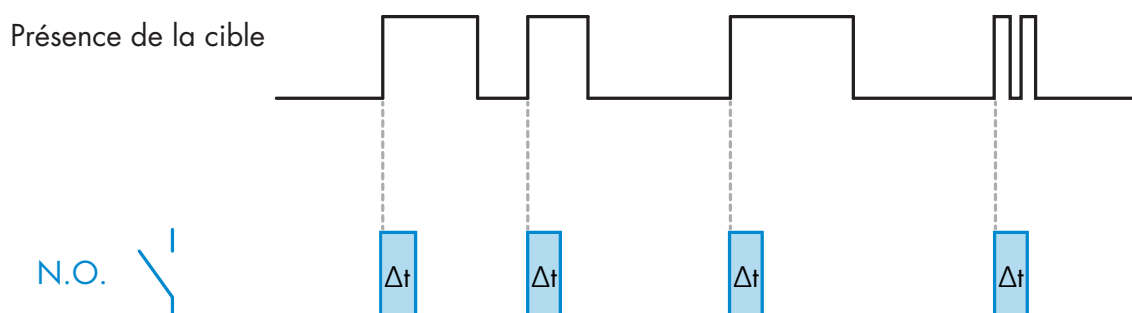
Lorsque cette option est sélectionnée, les délais T-on et T-off sont tous les deux appliqués à la commande de la sortie de commutation.



Exemple avec la sortie normalement ouverte

2.4.5.1.5. Impulsion sur bord d'attaque

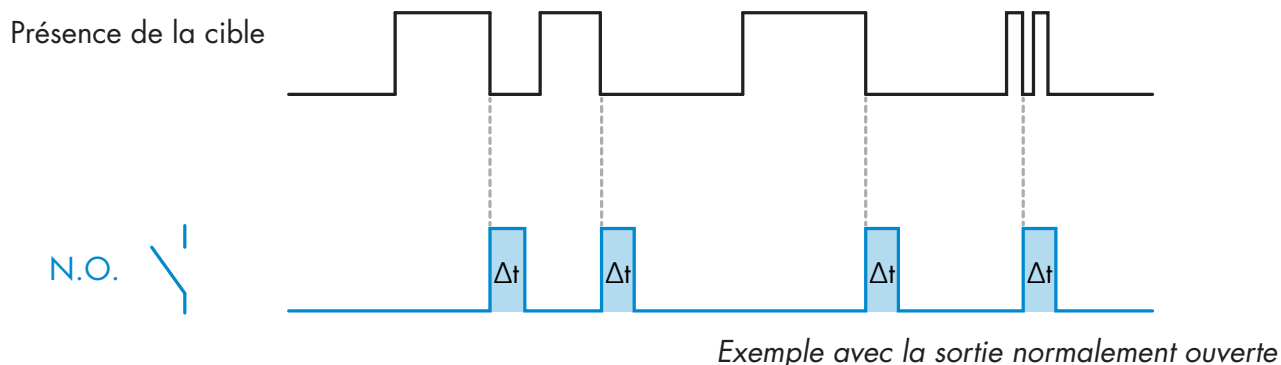
Chaque fois qu'une cible est détectée devant le capteur, la sortie de commutation génère une impulsion de longueur constante pour le bord avant de la détection. Cette fonction n'est pas redéclenchable. Voir la figure ci-dessous.



Exemple avec la sortie normalement ouverte

2.4.5.1.6. Impulsion sur bord de sortie

Fonction similaire à celle de l'impulsion sur le bord d'attaque, mais dans ce mode, la sortie de commutation change pour le bord de sortie comme le montre la figure ci-dessous. Cette fonction n'est pas redéclenchable.



2.4.5.2. Échelle de temps

Le paramètre définit si le délai spécifié dans la minuterie doit être en millisecondes, secondes ou minutes

2.4.5.3. Valeur de la minuterie

Le paramètre définit la durée réelle du retard. Le retard peut être réglé sur n'importe quelle valeur entière comprise entre 1 et 32767.

6

2.4.6. Inversion de la sortie

Cette fonction permet à l'utilisateur d'inverser le fonctionnement de la sortie de commutation entre Normalement Ouvert et Normalement Fermé.

FONCTION RECOMMANDÉE

La fonction recommandée se trouve dans les paramètres sous 64 (0x40) sous-index 8 (0x08) pour SO1 et 65 (0x41) sous-index 8 (0x08) pour SO2 et n'a pas d'influence négative sur les fonctions logiques ou les fonctions de minuterie du capteur puisqu'elle est ajoutée après ces fonctions.

ATTENTION !

La fonction logique de commutation sous 61 (0x3D) sous-index 1 (0x01) pour SSC1 et 63 (0x3F) sous-index 1 (0x01) pour SSC2 n'est pas recommandée car elle aura une influence négative sur les fonctions logique ou de minuterie. Par exemple, l'utilisation de cette fonction transformera un retard à la mise sous tension en un retard à l'arrêt si elle est ajoutée pour SSC1 et SSC2. Elle est uniquement pertinente pour SO1 et SO2.

7

2.4.7. Mode Étage de sortie

Dans ce bloc fonctionnel, l'utilisateur peut choisir si les sorties de commutation doivent fonctionner comme suit :

- SO1 : Désactivée, NPN, PNP ou push-pull.
- SO2 : Désactivée, NPN, PNP, push-pull, entrée externe (active High/Pull-down), entrée externe (active Low/Pull-up) ou entrée d'apprentissage externe.

2.4.8. Fonctions d'application

4 fonctions d'application particulières ne peuvent être choisies que via IO-Link.

- Vitesse et longueur.
- Reconnaissance de motif.
- Diviseur.
- Surveillance des objets et des espaces.

Dans les réglages d'usine, les fonctions d'application sont toutes désactivées.

2.4.8.1. Vitesse et longueur

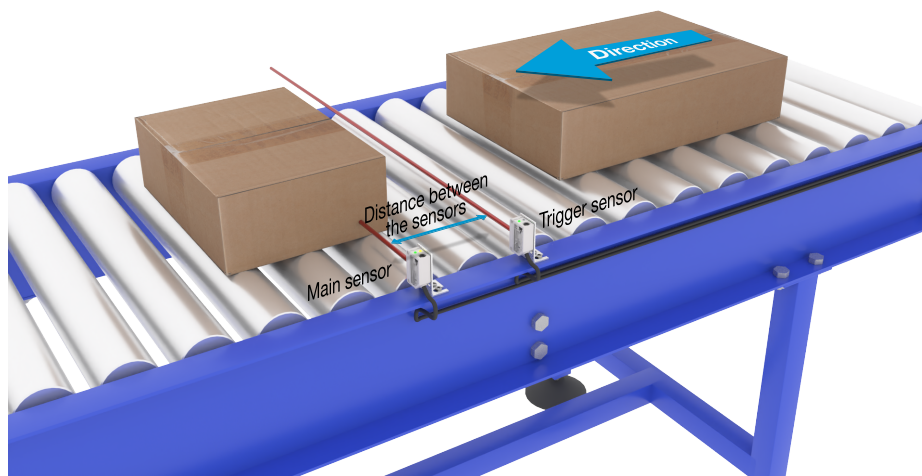
Cette fonction sert à surveiller la longueur d'un objet ainsi que la vitesse d'une bande transporteuse au moyen de deux capteurs interconnectés. Les valeurs actuelles de la longueur en [mm] et de la vitesse en [mm/s] sont directement disponibles sur le maître IO-Link.

La longueur ou la vitesse peut être définie comme donnée de processus.

2.4.8.1.1. Conditions

Cette fonction requiert deux capteurs : un capteur de déclenchement et un capteur principal.

2.4.8.1.2. Vitesse et longueur – Configuration



Alignement du capteur de déclenchement et capteur principal

Préparation du capteur

- 1) Montez deux capteurs sur le convoyeur, par exemple à une distance d'environ 100 mm
- 2) Connectez les deux capteurs à un SCTL55 ou à un maître IO-Link
- 3) Téléchargez les fichiers IODD dans le SCTL55 ou dans le maître IO-Link
- 4) Allumez les capteurs
- 5) Remettez les capteurs aux réglages d'usine au moyen du SCTL55 ou du maître IO-Link.
- 6) Orientez les capteurs de manière à ce que les faisceaux lumineux soient parallèles entre eux et dirigés vers la cible.
- 7) Réglez la sensibilité des capteurs de manière à ce que l'objet soit détecté avec fiabilité. (la LED jaune et la LED verte sont allumées et indiquent ainsi l'état ON stable et le mode IO-Link).

Réglages des paramètres IO-Link (voir les options des plages de données au § 7.2.7.1.)

- 8) Capteur de déclenchement : (l'objet passe en premier devant le capteur de déclenchement)
 - a) Sélectionnez « Vitesse et longueur » dans le SCTL55 ou le maître IO-Link, menu « Paramètres » -> « Fonctions d'application »
 - b) Sélectionnez « Rôle du capteur » -> « Capteur de déclenchement »
 - c) Le réglage des paramètres IO-Link est terminé pour le capteur de déclenchement

- 9) Capteur principal : (il calcule la vitesse et la position et met les données obtenues à disposition via IO-Link)
 - a) Remettez le capteur aux réglages d'usine [2](si vous l'avez déjà fait au point 5, vous pouvez sauter cette étape).
 - b) Sélectionnez « Vitesse et longueur » dans le SCTL55 ou le maître IO-Link, menu « Paramètres » -> « Fonctions d'application »
 - c) Sélectionnez « Rôle du capteur » -> « Capteur principal ».
 - d) Saisissez la distance entre les capteurs en \[mm] dans le menu « Mesure de la vitesse et de la longueur - {MQ}capteur principal » -> « Distance entre les capteurs »
 - e) Si nécessaire, sélectionnez « Longueur de l'objet » ou « Vitesse de l'objet » dans le menu de surveillance sous « Données de processus » -> « Configuration des données de processus » -> « Valeur analogique »
 - i. La longueur de l'objet est indiquée en \[mm]
 - ii. La vitesse de l'objet est indiquée en \[mm/s]
- 10) Reliez la broche 2 de sortie du capteur de déclenchement à la broche 2 d'entrée du capteur principal
- 11) La fonction « Vitesse et longueur » peut désormais être activée.

Note ! Des fluctuations de la vitesse du convoyeur pendant la mesure peuvent influencer le résultat.

2.4.8.2. Reconnaissance de motif

La fonction de reconnaissance de motif est notamment utilisée pour vérifier si une pièce fabriquée présente bien tous les trous ou toutes les chevilles comme prévu et si les pièces sont bien conformes aux spécifications. Le motif d'une pièce peut être enregistré dans le capteur, les pièces suivantes seront ensuite comparées à ce motif pré-enregistré. Si les motifs concordent, le capteur répond par un signal positif ou une instruction, soit en mode autonome, soit via un maître IO-Link.

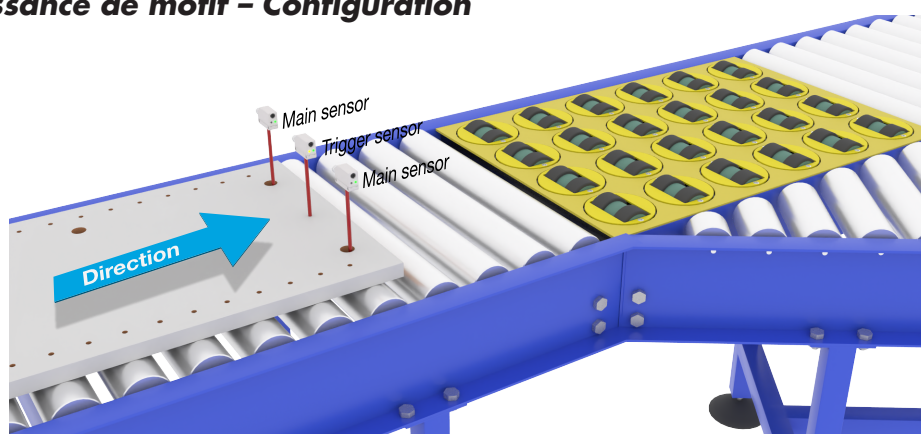
Le motif peut comprendre 20 bords au maximum, par exemple 10 trous et 10 chevilles.

Il est possible, pour reconnaître plusieurs motifs, de raccorder plusieurs capteurs principaux à un seul capteur de déclenchement.

2.4.8.2.1. Conditions

Cette fonction requiert deux capteurs : un capteur de déclenchement et un capteur principal. Il est possible de raccorder plusieurs capteurs principaux à un seul capteur de déclenchement si plusieurs motifs doivent être examinés en même temps.

2.4.8.2.2. Reconnaissance de motif – Configuration



Alignement du capteur de déclenchement et capteur principal

Préparation du capteur

- 1) Montez deux capteurs à la même hauteur le long du convoyeur de manière à ce que l'objet atteigne les deux capteurs en même temps.
- 2) Connectez les deux capteurs à un SCTL55 ou à un maître IO-Link
- 3) Téléchargez les fichiers IODD dans le SCTL55 ou dans le maître IO-Link
- 4) Allumez les capteurs
- 5) Remettez les capteurs aux réglages d'usine au moyen du SCTL55 ou du maître IO-Link.

- 6) Orientez les deux capteurs de manière à ce que les faisceaux lumineux détectent le bord de la cible en même temps.
- 7) Montez le capteur de déclenchement à un endroit auquel il peut détecter l'objet seul, sans trous ni chevilles, en continu.
- 8) Montez le capteur principal de manière à ce qu'il puisse détecter les trous ou les chevilles qui représentent le motif à examiner
- 9) Réglez la sensibilité des capteurs de manière à ce que la cible soit détectée avec fiabilité (la LED jaune et la LED verte sont allumées et indiquent ainsi l'état ON stable et le mode IO-Link).

Réglages des paramètres IO-Link (voir les options des plages de données au § 7.2.7.2.)

- 10) Capteur de déclenchement :
 - a) Sélectionnez « Reconnaissance de motif » dans le SCTL55 ou le maître IO-Link, menu « Paramètres » -> « Fonctions d'application »
 - b) Sélectionnez « Rôle du capteur » -> « Capteur de déclenchement »
 - c) Le réglage des paramètres IO-Link est terminé pour le capteur de déclenchement
- 11) Capteur principal :
 - a) Sélectionnez « Reconnaissance de motif » dans le SCTL55 ou le maître IO-Link, menu « Paramètres » -> « Fonctions d'application »
 - b) Sélectionnez « Rôle du capteur » -> « Capteur principal »
 - c) Dans le menu « Configuration de la reconnaissance de motif » -> « Temporisation », entrez la valeur de la temporisation entre 1 et 60 s pour l'évaluation maximale (valeur par défaut : 60 secondes)
 - d) Dans le menu « Configuration de la reconnaissance de motif » -> « Tolérance », entrez la tolérance de reconnaissance du motif en ‰ (pour mille) entre 1 et 200 ‰ (valeur par défaut : 50 ‰)
- 12) Reliez la broche 2 de sortie du capteur de déclenchement à la broche 2 d'entrée du ou des capteur(s) principal (principaux)

Programmer le motif

- 13) Activez l'instruction « Programmer le motif » pour démarrer l'apprentissage du motif
- 14) Faites complètement passer la cible à vitesse régulière devant les deux capteurs
Note ! Des fluctuations de la vitesse du convoyeur pendant la mesure peuvent influencer le résultat.
- 15) Le capteur répond par :
 - a) « Enregistré » sous « Résultat de la reconnaissance de motif » -> « Motif de référence »
 - b) Par exemple « 12 » sous « Résultat de la reconnaissance de motif » -> « Motif de référence - nombre de bords » (les bords avant et arrière de la cible sont comptés).
 - c) Chaque bord est enregistré en ms à partir du bord avant de la cible complète et peut être consulté dans le menu de surveillance.
 Lors de la comparaison au motif de référence, les arêtes sont enregistrées en pourcentage de la valeur de la cible complète.
 Cela permet de garantir que le motif peut être reconnu à différentes vitesses constantes.
- 16) Le motif peut être enregistré comme projet dans le SCTL55 ou le maître IO-Link et rechargé ultérieurement dans le capteur [1] afin de l'utiliser comme motif de référence.
- 17) La fonction « Reconnaissance de motif » peut désormais être activée.
- 18) Faites à nouveau complètement passer la cible à vitesse régulière devant les deux capteurs
- 19) Le capteur répond par le texte
 - a) Par exemple « 12 » sous « Résultat de la reconnaissance de motif » -> « Dernier motif - nombre de bords »
- 20) « Motif identique » sous « Résultat de la reconnaissance de motif » -> « État de la reconnaissance de motif »

Fonctionnement autonome en mode SIO

- 21) Déconnectez le capteur du SCTL55 ou du maître IO-Link et reliez la broche 4 par exemple à votre colonne lumineuse décentralisée ou à un aiguillage de convoyeur bonnes pièces/mauvaises pièces
- 22) Si un motif correct est détecté, la sortie sur la broche 4 répond par une impulsion d'1 seconde.

Plusieurs motifs

Plusieurs motifs peuvent être détectés simultanément sur la même cible en utilisant un seul capteur de déclenchement et plusieurs capteurs principaux, chaque capteur principal répondant à un motif spécifique.

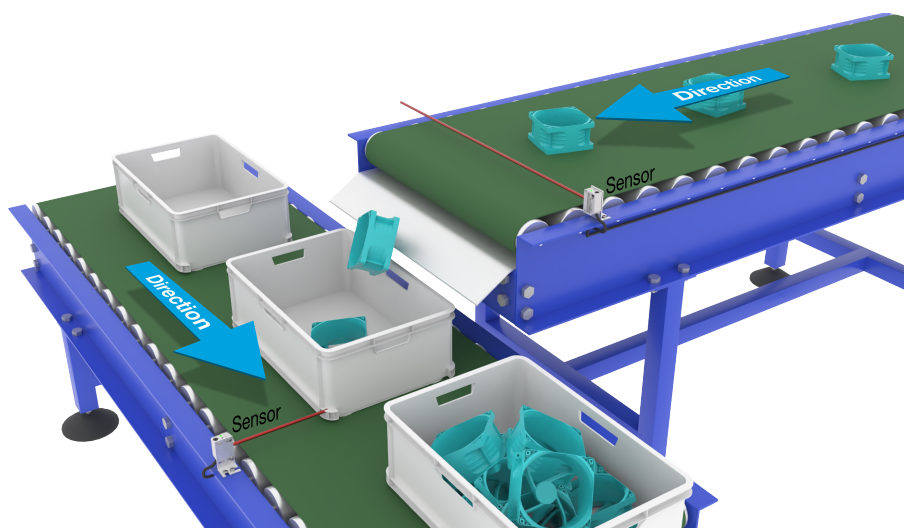
2.4.8.3. Fonction de diviseur

Cette fonction permet, par exemple, à l'utilisateur de définir un nombre de comptages à effectuer avant que l'état de la sortie ne change. La valeur est réglée par défaut à 1, chaque activation provoque alors le changement de la sortie. Si la valeur est réglée à une valeur supérieure, par exemple 10, le capteur émet un signal de sortie toutes les 10 détections, il compte au niveau du bord arrière de l'objet. Dans l'exemple ci-dessous, le capteur doit changer l'état de la sortie quand 8 produits ont été détectés. La sortie du capteur indique une « caisse pleine », une nouvelle caisse est poussée devant le convoyeur primaire. Le compteur peut être réinitialisé manuellement via SO2 qui est configuré en usine comme touche de RAZ externe.

2.4.8.3.1. Conditions

Un seul capteur est utilisé pour cette fonction.

2.4.8.3.2. Fonction de diviseur – Configuration



Alignement du capteur

Préparation du capteur

- 1) Montez les capteurs le long du convoyeur à une position à laquelle le bord arrière de la cible est détecté juste avant qu'elle ne tombe dans la caisse.
- 2) Raccordez le capteur à un SCTL55 ou à un maître IO-Link.
- 3) Téléchargez le fichier IO-DD dans le SCTL55 ou le maître IO-Link.
- 4) Allumez le capteur.
- 5) Remettez le capteur aux réglages d'usine au moyen du SCTL55 ou du maître IO-Link.
- 6) Orientez le capteur de manière à ce que le faisceau lumineux détecte la cible.
- 7) Réglez la sensibilité du capteur de manière à ce que la cible soit détectée avec fiabilité. (la LED jaune et la LED verte sont allumées et indiquent ainsi l'état ON stable et le mode IO-Link).

Réglages des paramètres IO-Link (voir les options des plages de données au § 7.2.7.3.)

- 8) Sélectionnez « Diviseur » dans le SCTL55 ou le maître IO-Link, menu « Paramètres » -> « Fonctions d'application »
- 9) Dans le menu « Configuration du diviseur et du compteur » -> « Limite du compteur », entrez une valeur de compteur entre 1 et 65 535 [2][1](valeur par défaut : 1).
- 10) Si un pré-réglage est requis pour le compteur, celui-ci peut être fait entre 0 et 65 535 dans le menu « Diviseur et compteur » -> « Pré-régler la valeur du compteur » [1](valeur par défaut : 0).

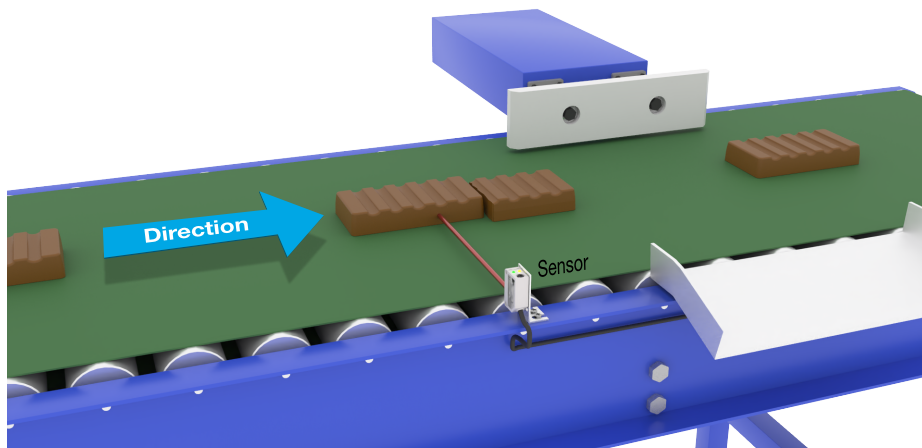
2.4.8.4. Surveillance des objets et des espaces

Cette fonction sert à surveiller que la longueur d'un objet et la distance à l'objet suivant sur une bande transporteuse sont dans certaines limites. Le capteur autonome émet un signal quand un objet est trop petit, que des objets se chevauchent ou que la distance entre deux objets ne suffit pas pour des processus ultérieurs.

2.4.8.4.1. Conditions

Un seul capteur est utilisé pour cette fonction.

2.4.8.4.2. Surveillance des objets et des espaces – Configuration



Alignement du capteur

Préparation du capteur

- 1) Montez le capteur à la position souhaitée le long du convoyeur.
- 2) Raccordez le capteur à un SCTL55 ou à un maître IO-Link.
- 3) Téléchargez le fichier IODD dans le SCTL55 ou le maître IO-Link.
- 4) Allumez le capteur.
- 5) Remettez le capteur aux réglages d'usine au moyen du SCTL55 ou du maître IO-Link.
- 6) Orientez le capteur de manière à que le faisceau lumineux soit dirigé vers la cible à détecter.
- 7) Réglez la sensibilité du capteur de manière à ce que la cible soit détectée avec fiabilité.
(la LED jaune et la LED verte sont allumées et indiquent ainsi l'état ON stable et le mode IO-Link).

Réglages des paramètres IO-Link (voir les options des plages de données au § 7.2.7.4.)

- 8) Sélectionnez « Surveillance des objets et des espaces » dans le SCTL55 ou le maître IO-Link, menu « Paramètres » -> « Fonctions d'application ».
- 9) Durée de l'objet :
 - a) Dans le menu « Surveillance des objets et des espaces » -> « Durée minimale de l'objet », entrez le temps minimum de détection de l'objet entre 10 et 60 000 ms, par exemple 130 ms (valeur par défaut : 500 ms).
Pour vous aider, vous pouvez lire la durée de l'objet sous « Surveillance des objets et des espaces » -> « Durée de l'objet ».
 - b) Dans le menu « Surveillance des objets et des espaces » -> « Durée maximale de l'objet », entrez le temps [2]maximum{3} de détection de l'objet entre 10 et 60 000 ms, par exemple 150 ms (valeur par défaut : 500 ms).
Pour vous aider, vous pouvez lire la durée de l'objet sous « Surveillance des objets et des espaces » -> « Durée de l'objet ».

- 10) Durée de l'espace :
- a) Dans le menu « Surveillance des objets et des espaces » -> « Durée minimale de l'espace », entrez le temps minimum de détection de l'espace entre 10 et 60 000 ms, par exemple 110 ms (valeur par défaut : 500 ms).
Pour vous aider, vous pouvez lire la durée de l'espace sous « Surveillance des objets et des espaces » -> « Durée de l'espace ».
 - b) Dans le menu « Surveillance des objets et des espaces » -> « Durée maximale de l'espace », entrez le temps maximum de détection de l'espace entre 10 et 60 000 ms, par exemple 130 ms (valeur par défaut : 500 ms).
Pour vous aider, vous pouvez lire la durée de l'espace sous « Surveillance des objets et des espaces » -> « Durée de l'espace ».
- 11) Le capteur est désormais prêt à l'emploi.
- 12) Le paramètre « Longueur de l'objet » bascule entre « Mesure en cours dans les limites », « Temps trop long » et « Temps trop court ».
- 13) Le paramètre « Longueur de l'espace » bascule entre « Mesure en cours dans les limites », « Temps trop long » et « Temps trop court ».

Fonctionnement autonome en mode SIO

- 14) Déconnectez le capteur du SCTL55 ou du maître IO-Link.
 - 15) La sortie sur la broche 4 est activée quand la durée de l'objet est trop longue ou trop courte.
 - 16) La sortie sur la broche 2 est activée quand la durée de l'espace est trop longue ou trop courte.
- Note !** En combinant les deux sorties à l'aide d'une fonction logique OU, le résultat de la fonction OU peut être utilisé comme sortie d'erreur commune pour l'objet et l'espace.

2.5. Paramètres réglables spécifiques au capteur

Outre les paramètres directement liés à la configuration des sorties, le capteur dispose également de divers paramètres internes utiles pour la configuration et le diagnostic.

2.5.1. Sélection du réglage local ou à distance

Il est possible de choisir comment régler la distance de détection en sélectionnant l'« Entrée du trimmer » ou l'« Apprentissage par fil » par le biais de l'entrée externe du capteur, ou de désactiver l'entrée du trimmer au moyen du « Réglage IO-Link » pour rendre le capteur inviolable.

2.5.2. Données de trimmer

La plage de données entre 13 500 et 70 unités correspond à 100 ... 1 000 mm.

2.5.3. Configuration des données de processus

Lorsque le capteur est utilisé en mode IO-Link, l'utilisateur a accès à la variable cyclique Données de processus. Par défaut, les données de processus montrent les paramètres suivants comme étant actifs : valeur analogique 16 bits, sortie de commutation 1 (SO1) et sortie de commutation 2 (SO2).

Les paramètres suivants sont définis comme inactifs : SSC1, SSC2, DA1, DA2, TA, SC, WDA1, WDA2, AFO1. Cependant, en modifiant le paramètre Configuration des données de processus, l'utilisateur peut décider d'activer des paramètres inactifs. De cette façon, plusieurs statuts peuvent être observés dans le capteur en même temps.

Note ! Lorsque des fonctions d'application sont sélectionnées, des options supplémentaires peuvent être choisies pour les « Valeurs analogiques » dans l'onglet de surveillance.

2.5.4. Sélection de la mesure du capteur

Le capteur dispose de 3 préréglages de précision qui peuvent être sélectionnés selon les besoins de l'environnement :

- Précision par défaut (degré de filtrage fixé à 1)
- Haute précision (degré de filtrage fixé à 10 - lent)
- Personnalisée (degré de filtrage réglable entre 1 et 255)

La précision peut être réglée au moyen du paramètre « Degré de filtrage ». Voir 2.6.9.

2.5.5. Seuil d'alarme de la température

La température à laquelle l'alarme de température sera activée peut être modifiée pour les températures maximale et minimale. Cela signifie que le capteur déclenche une alarme lorsque la température maximale ou minimale est atteinte. Les températures peuvent être réglées entre -50 °C et +150 °C. Les réglages d'usine par défaut sont un seuil bas à -30 °C et un seuil haut à +120 °C.

2.5.6. Limites de sécurité

Les limites de sécurité peuvent être réglées pour le capteur en pourcentages de SP1 et SP2, elles sont configurables individuellement pour SSC1 et SSC2.

Ces limites servent au calcul des signaux ON stable et OFF stable.

- Alarme de poussière : si les limites de sécurité sont dépassées, l'alarme de poussière est activée, voir également la description de l'alarme de poussière
- Alarme de goutte d'eau : si les limites de sécurité sont dépassées, l'alarme de goutte d'eau est activée, voir également la description de l'alarme de goutte d'eau.
- Réglage automatique : lorsque les limites de sécurité sont atteintes pour la fonction de réglage automatique, l'alarme est activée pour demander le nettoyage de la face avant du capteur.
- La LED verte est également influencée par les limites de sécurité, elle peut être utilisée pour régler manuellement la distance de sécurité en changeant la distance jusqu'à ce que la LED indique l'état ON stable.

2.5.6.1. ON stable

Si le capteur détecte un signal supérieur de x % (x étant réglé au moyen de la limite de sécurité) à la valeur à laquelle la sortie s'active, le capteur est dans l'état ON stable.

2.5.6.2. OFF stable

Si le capteur détecte un signal inférieur de x % (x étant réglé au moyen de la limite de sécurité) à la valeur à laquelle la sortie se désactive, le capteur est dans l'état OFF stable.

2.5.7. Configuration des événements

Les événements de température transmis par l'interface IO-Link sont désactivés par défaut dans le capteur. Si l'utilisateur souhaite obtenir des informations sur les températures critiques détectées dans l'application du capteur, ce paramètre permet d'activer ou de désactiver les 4 événements suivants :

- Défaut de température : le capteur détecte une température en dehors de la plage de fonctionnement spécifiée.
- Dépassement par le haut de la température : le capteur détecte une température supérieure à celle réglée dans le seuil d'alarme de température.
- Dépassement par le bas de la température : le capteur détecte une température inférieure à celle réglée dans le seuil d'alarme de température.
- Court-circuit : le capteur détecte si la sortie du capteur est court-circuitée.

2.5.8. Qualité du fonctionnement QoR

La qualité du fonctionnement informe l'utilisateur sur la performance réelle du capteur au moyen des paramètres suivants : {MQ}signal maximal, signal minimal, hystérésis, points de consigne SP et limites de sécurité.

La valeur de QoR peut varier entre 0 et 255 %.

Elle est actualisée pour chaque cycle de détection.

Le tableau ci-dessous contient des exemples de QoR.

Valeurs de qualité du fonctionnement	Explication
> 150%	Excellentes conditions de détection, le capteur ne devrait pas nécessiter de maintenance dans un avenir proche.
100%	Bonnes conditions de détection, le capteur se comporte comme au moment de l'apprentissage ou du réglage manuel des points de consigne, avec une marge de sécurité de deux fois l'hystérésis standard. <ul style="list-style-type: none"> • Une fiabilité à long terme est attendue dans toutes les conditions ambiantes. • Une maintenance ne devrait pas s'avérer nécessaire.
50%	Conditions de détection moyennes <ul style="list-style-type: none"> • En raison des conditions ambiantes, la fiabilité des valeurs mesurées est réduite, une maintenance est nécessaire pour améliorer le comportement de détection. • Si les conditions ambiantes restent stables, on peut s'attendre à obtenir une détection fiable dans un avenir proche.
0%	Conditions de détection incertaines, le capteur ne fonctionne pas correctement, une maintenance immédiate est nécessaire.

2.5.9. Qualité de l'apprentissage QoT

La valeur de la qualité de l'apprentissage permet à l'utilisateur de savoir si la procédure d'apprentissage s'est bien déroulée en évaluant le rapport entre les paramètres suivants : TP2, TP1, hystérésis et limites de sécurité.

La valeur de QoT peut varier entre 0 et 255 %.

Elle est actualisée après chaque apprentissage.

Le tableau ci-dessous contient des exemples de QoT.

Valeurs de qualité de l'apprentissage	Explication
> 150%	Excellentes conditions d'apprentissage, le capteur ne devrait pas nécessiter de maintenance dans un avenir proche.
100%	Bonnes conditions d'apprentissage, le capteur a été programmé avec les limites de sécurité réglées par défaut : <ul style="list-style-type: none"> • Une fiabilité à long terme est attendue dans toutes les conditions ambiantes. • Une maintenance ne devrait pas s'avérer nécessaire.
50%	Conditions d'apprentissage moyennes. <ul style="list-style-type: none"> • Les conditions ambiantes ne permettent pas d'assurer longtemps une détection fiable. Il est recommandé d'effectuer la maintenance dans un avenir proche. <ul style="list-style-type: none"> • Si les conditions ambiantes restent stables, on peut s'attendre à obtenir une détection fiable dans un avenir proche.
0%	Mauvais résultat d'apprentissage. <ul style="list-style-type: none"> • Mauvaises conditions pour une détection fiable (p.ex. différence trop faible entre les mesures de la cible et de l'environnement).

2.5.10. Excès de gain

La valeur de l'Excès de gain décrit le rapport entre la lumière reçue par la cellule photoélectrique et la lumière nécessaire au fonctionnement du capteur.

Elle se trouve sous l'onglet Diagnostic du SCTL55 ou du maître IO-Link.

$$\text{Excès de gain} = \frac{\text{Lumière reçue par le capteur}}{\text{Lumière nécessaire pour commuter la sortie}}$$

2.5.11. Degré de filtrage

Cette fonction permet d'augmenter l'immunité envers les cibles instables et les perturbations électromagnétiques : Sa valeur peut être réglée entre 1 et 255, la valeur par défaut est 1. Le filtrage fonctionne comme une moyenne mobile. Cela signifie qu'un réglage de filtrage de 1 donne une fréquence de détection maximale et un réglage de 255 une fréquence de détection minimale.

2.5.12. Interférences mutuelles

Dans une installation optimale, les capteurs doivent être montés de manière à ne pas interférer entre eux. La fonction de protection contre les interférences mutuelles peut être utilisée si cela n'est pas possible.

Cette fonction permet de nettement augmenter l'immunité, mais a aussi un impact négatif sur la vitesse de détection.

Si le filtre est activé, le capteur analyse les signaux reçus et essaie ce faisant de rejeter les impulsions perturbatrices.

Mode à 1 capteur : à utiliser là où le capteur est perturbé par un autre capteur, un flash fort ou une source de lumière modulée forte, par exemple des lampes à LED.

Le temps de réponse est multiplié par 5.

Mode à 2 capteurs : à utiliser là où deux capteurs identiques interfèrent entre eux.

Le temps de réponse est multiplié par 5 à 6.

Mode à 3 capteurs : à utiliser là où trois capteurs identiques interfèrent entre eux.

Le temps de réponse est multiplié par 5 à 7.

2.5.13. Indication par LED

L'indication par LED peut être configurée en 3 modes différents : Inactive, Active ou Trouver mon capteur.

Inactive : les LED sont toujours éteintes

Active : les LED suivent le schéma d'indication donné à la section 5.1.

Trouver mon capteur : les LEDs clignotent en alternance à 2 Hz avec un cycle de service de 50%, ce qui permet de localiser facilement le capteur.

2.5.14. Mode d'hystérésis

Voir 2.4.1.3. Réglages de l'hystérésis

2.5.15. Valeur de l'hystérésis automatique

Voir 2.4.1.3. Réglages de l'hystérésis

2.6. Procédure d'apprentissage avec le SCTL55 ou un maître IO-Link

Les points de consigne peuvent être réglés au moyen d'une procédure d'apprentissage. Cela permet d'obtenir un réglage à une valeur optimale tout en tenant compte des limites de sécurité et de l'hystérésis.

2.6.1. Apprentissage externe (apprentissage par fil)

Note ! Cette fonction marche en mode Point unique, et seulement pour SP1 dans SSC1.

La fonction d'apprentissage par fil doit d'abord être sélectionnée au moyen du SCTL55 ou maître IO-Link :

- Sélectionnez « Apprentissage » sous « Canal 2 (SO2) » -> « Configuration du canal 2, mode Étage de sortie ».
- Sélectionnez « Mode Point unique » sous « Canal 1 du signal de commutation » -> « Mode de configuration de SSC1 ».
- Sélectionnez « Apprentissage par fil » sous « Point unique SSC1 » -> « Sélection du réglage local/à distance ».

Procédure d'apprentissage par fil.

- Placez la cible devant le capteur.
- Connectez l'entrée du fil d'apprentissage (broche 2, fil blanc) à V+ (broche 1, fil marron).
La LED jaune se met à clignoter à 1 Hz (10% ON), ce qui indique que l'apprentissage est en cours.
- Au bout de 3-6 secondes, la fenêtre d'apprentissage est ouverte. Le rythme de clignotement passe à 90%.
Détachez le fil blanc.
- Si l'apprentissage a réussi, la LED jaune fait 4 flashes (2 Hz, 50%).
- Le nouveau point de consigne programmé peut être consulté sous « Point unique SSC1 » -> « Point de consigne » -> « Paramètre SSC1.Point de consigne 1 ».

Si l'apprentissage échoue ou est suspendu, le capteur quitte le mode d'apprentissage.

Note : Si le fil blanc est détaché en dehors de la fenêtre d'apprentissage, l'apprentissage est suspendu. Si le fil blanc n'est pas détaché au bout de 10 secondes, l'apprentissage est suspendu (timeout indiqué par un certain nombre de flashes jaunes rapides, 5 Hz, 50%).

2.6.2. Apprentissage depuis le maître IO-Link ou le configurateur intelligent (SCTL55)

- Sélectionnez le mode de configuration de SSC1 ou SSC2 :
SSC1 : Sélectionnez « Point unique », « Fenêtre » ou « Deux points » sous « Canal 1 du signal de commutation » -> « Mode de configuration de SSC1 ».
Note ! Dans le cas « Point unique », l'option « Réglage IO-Link » doit être choisie sous « Point unique SSC1 » -> « Sélection du réglage local/à distance ».
SSC2 : Sélectionnez « Point unique », « Fenêtre » ou « Deux points » sous « Canal 2 du signal de commutation » -> « Mode de configuration de SSC2 ».
- Choisissez le canal à programmer « Canal 1 du signal de commutation » ou « Canal 2 du signal de commutation » sous « Apprentissage » -> « Sélection de l'apprentissage ».

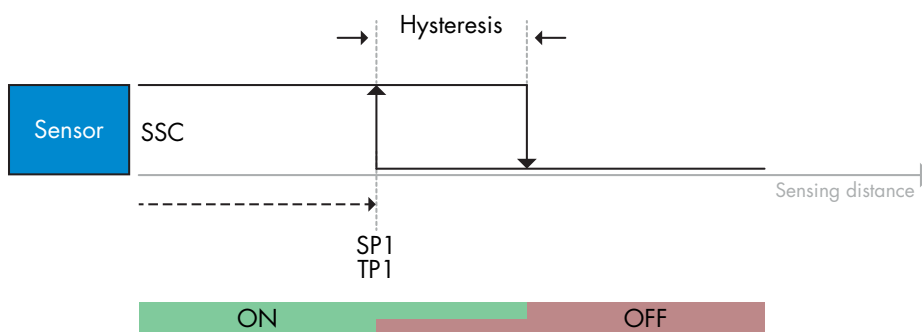
2.6.2.1. Procédure en mode Point unique

1) Séquence de commande de l'apprentissage d'une valeur unique :

Séquence de commande de l'apprentissage d'une valeur unique.

(les boutons se trouvent sous « Apprentissage SSC1 » ou « Apprentissage SSC2 » -> « Apprentissage de valeur unique SSC1 » ou « Apprentissage de valeur unique SSC2 »).

- Placez la cible devant le capteur.
- Appuyez sur « Apprentissage de SP1 ».
- Le résultat de l'apprentissage est indiqué sous « Résultat de l'apprentissage » -> « État de l'apprentissage », p.ex. « RÉUSSI ».
- QoT est affiché sous « Qualité de l'apprentissage », p.ex. 100%.



2) Séquence de commande de l'apprentissage dynamique

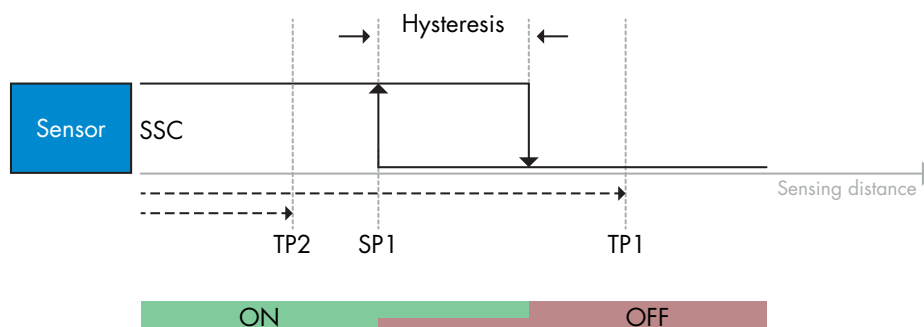
Apprentissage dynamique pour la séquence de commande de l'apprentissage d'une valeur unique. (les boutons se trouvent sous « Apprentissage SSC1 » ou « Apprentissage SSC2 » -> « Apprentissage dynamique SSC1 » ou « Apprentissage dynamique SSC2 »)

1. Appuyez sur « Démarrer l'apprentissage de SP1 ».
2. Déplacez la cible à des positions légèrement différentes dans et hors de la zone de détection devant le capteur.
3. Appuyez sur « Arrêter l'apprentissage de SP1 ».
4. Le résultat de l'apprentissage est indiqué sous « Résultat de l'apprentissage » -> « État de l'apprentissage », p.ex. « RÉUSSI ».
5. QoT est affiché sous « Qualité de l'apprentissage », p.ex. 150%

3) Séquence de commande de l'apprentissage de deux valeurs

Apprentissage de deux valeurs pour SP1. (les boutons se trouvent sous « Apprentissage SSC1 » ou « Apprentissage SSC2 » -> « Apprentissage de deux valeurs SSC1 » ou « Apprentissage de deux valeurs SSC2 »)

1. Déplacez la cible à la position pour SP1 TP1
 - A. Appuyez sur « Apprentissage de SP1 TP1 ».
 - B. « Résultat de l'apprentissage » -> « Point d'apprentissage 1 du point de consigne 1 » = p.ex. « OK ».
 - C. « Résultat de l'apprentissage » -> « État de l'apprentissage » = p.ex. « EN ATTENTE DE COMMANDE ».
2. Déplacez la cible à la position pour SP1 TP2
 - A. Appuyez sur « Apprentissage de SP1 TP2 ».
 - B. « Résultat de l'apprentissage » -> « Point d'apprentissage 2 du point de consigne 1 » = p.ex. « OK ».
 - C. « Résultat de l'apprentissage » -> « État de l'apprentissage » = p.ex. « RÉUSSI ».
3. QoT est affiché sous « Qualité de l'apprentissage », p.ex. 150%

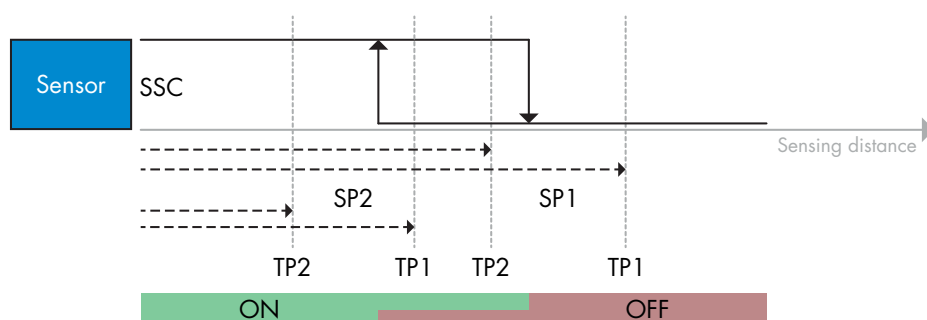


2.6.2.2. Procédure en mode Deux points

1) Séquence de commande de l'apprentissage de deux valeurs :

Les boutons se trouvent dans le menu « Apprentissage SSC1 » ou « Apprentissage SSC2 » -> « Apprentissage de deux valeurs SSC1 » ou « Apprentissage de deux valeurs SSC2 »

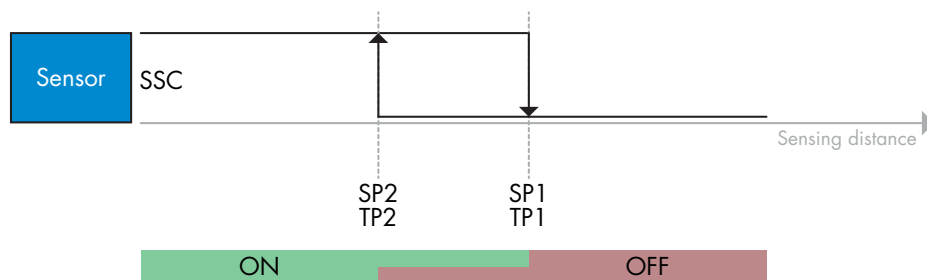
1. Déplacez la cible à la position pour SP1 TP1.
 - A. Appuyez sur « Apprentissage de SP1 TP1 ».
 - B. « Résultat de l'apprentissage » -> « Point d'apprentissage 1 du point de consigne 1 » = p.ex. « OK ».
 - C. « Résultat de l'apprentissage » -> « État de l'apprentissage » = p.ex. « EN ATTENTE DE COMMANDE ».
2. Déplacez la cible à la position pour SP1 TP2.
 - A. Appuyez sur « Apprentissage de SP1 TP2 ».
 - B. « Résultat de l'apprentissage » -> « Point d'apprentissage 2 du point de consigne 1 » = p.ex. « OK ».
 - C. « Résultat de l'apprentissage » -> « État de l'apprentissage » = p.ex. « EN ATTENTE DE COMMANDE ».
3. Déplacez la cible à la position pour SP2 TP1.
 - A. Appuyez sur « Apprentissage de SP2 TP1 ».
 - B. « Résultat de l'apprentissage » -> « Point d'apprentissage 1 du point de consigne 2 » = p.ex. « OK ».
 - C. « Résultat de l'apprentissage » -> « État de l'apprentissage » = p.ex. « EN ATTENTE DE COMMANDE ».
4. Déplacez la cible à la position pour SP2 TP2.
 - A. Appuyez sur « Apprentissage de SP2 TP2 ».
 - B. « Résultat de l'apprentissage » -> « Point d'apprentissage 2 du point de consigne 2 » = p.ex. « OK ».
 - C. « Résultat de l'apprentissage » -> « État de l'apprentissage » = p.ex. « EN ATTENTE DE COMMANDE ».
5. Appuyez sur Appliquer l'apprentissage.
 - A. « Résultat de l'apprentissage » -> « État de l'apprentissage » = p.ex. « Réussi ».
6. QoT est affiché sous « Qualité de l'apprentissage », p.ex. 100%



2) Séquence de commande de l'apprentissage dynamique :

Les boutons se trouvent dans le menu « Apprentissage dynamique SSC1 » ou « Apprentissage dynamique SSC2 » -> « Apprentissage »

1. Déplacez la cible à la position pour SP1.
 - A. Appuyez sur « Démarrer l'apprentissage de SP1 ».
 - B. « Résultat de l'apprentissage » -> « État de l'apprentissage » = p.ex. « EN ATTENTE DE COMMANDE ».
 - C. Appuyez sur « Arrêter l'apprentissage de SP1 ».
 - D. « Résultat de l'apprentissage » -> « État de l'apprentissage » = p.ex. « EN ATTENTE DE COMMANDE ».
2. Déplacez la cible à la position pour SP2.
 - A. Appuyez sur « Démarrer l'apprentissage de SP2 ».
 - B. « Résultat de l'apprentissage » -> « État de l'apprentissage » = p.ex. « EN ATTENTE DE COMMANDE ».
 - C. Appuyez sur « Arrêter l'apprentissage de SP2 ».
 - D. « Résultat de l'apprentissage » -> « État de l'apprentissage » = p.ex. « EN ATTENTE DE COMMANDE ».
3. « Résultat de l'apprentissage » -> « État de l'apprentissage » = p.ex. « RÉUSSI ».
4. QoT est affiché sous « Qualité de l'apprentissage », p.ex. 100%

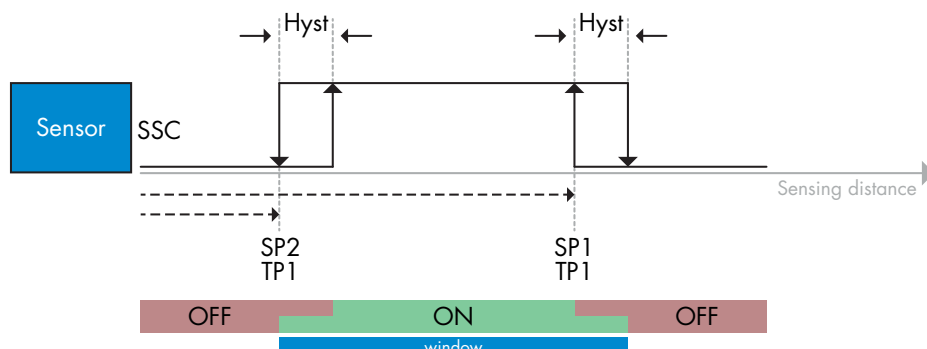


2.6.2.3. Procédure en mode Fenêtre

1) Séquence de commande de l'apprentissage d'une valeur unique :

Les boutons se trouvent dans le menu « Apprentissage SSC1 » ou « Apprentissage SSC2 » -> « Apprentissage de valeur unique SSC1 » ou « Apprentissage de valeur unique SSC2 »

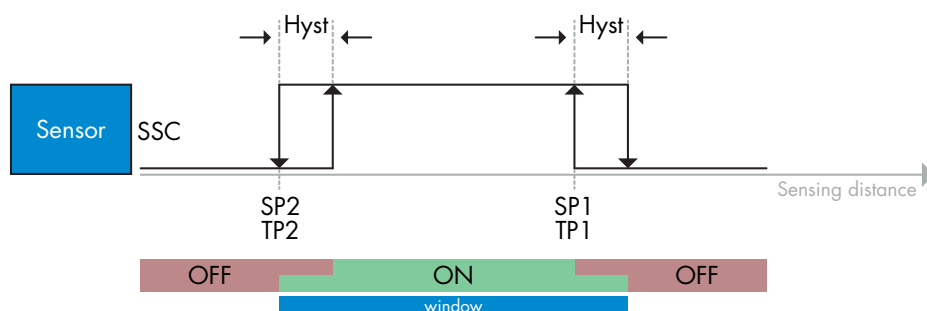
1. Déplacez la cible à la position pour SP1.
 - A. Appuyez sur « Apprentissage de SP1 ».
 - B. « Résultat de l'apprentissage » -> « État de l'apprentissage » = p.ex. « EN ATTENTE DE COMMANDE ».
2. Déplacez la cible à la position pour SP2.
 - A. Appuyez sur « Apprentissage de SP2 ».
 - B. « Résultat de l'apprentissage » -> « État de l'apprentissage » = p.ex. « RÉUSSI ».
3. QoT est affiché sous « Qualité de l'apprentissage », p.ex. 255%



2) Séquence de commande de l'apprentissage dynamique :

Les boutons se trouvent dans le menu « Apprentissage SSC1 » ou « Apprentissage SSC2 » -> « Apprentissage dynamique SSC1 » ou « Apprentissage dynamique SSC2 »

1. Déplacez la cible à la position pour SP1.
 - A. Appuyez sur « Démarrer l'apprentissage de SP1 ».
 - B. « Résultat de l'apprentissage » -> « État de l'apprentissage » = p.ex. « EN ATTENTE DE COMMANDE ».
 - C. Appuyez sur « Arrêter l'apprentissage de SP1 ».
 - D. « Résultat de l'apprentissage » -> « État de l'apprentissage » = p.ex. « EN ATTENTE DE COMMANDE ».
2. Déplacez la cible à la position pour SP2.
 - A. Appuyez sur « Démarrer l'apprentissage de SP2 ».
 - B. « Résultat de l'apprentissage » -> « État de l'apprentissage » = p.ex. « EN ATTENTE DE COMMANDE ».
 - C. Appuyez sur « Arrêter l'apprentissage de SP2 ».
 - D. « Résultat de l'apprentissage » -> « État de l'apprentissage » = p.ex. « RÉUSSI ».
3. QoT est affiché sous « Qualité de l'apprentissage », p.ex. 100%



2.7. Paramètres de diagnostic

2.7.1. Heures de fonctionnement

Le capteur est doté d'un compteur intégré qui enregistre chaque heure complète de fonctionnement. La durée maximale possible d'enregistrement peut être consultée via le SCTL55 ou un maître IO-Link.

2.7.2. Nombre de cycles de puissance [cycles]

Le capteur est doté d'un compteur intégré qui enregistre chaque fois que le capteur a été mis sous tension. La valeur est sauvegardée toutes les heures. Le nombre maximale de cycles de puissance est enregistré et peut être consulté via le SCTL55 ou un maître IO-Link.

2.7.3. Température maximale - depuis toujours [°C]

Le capteur est doté d'une fonction intégrée qui enregistre la température la plus élevée à laquelle il a été exposé pendant toute sa durée de vie opérationnelle. Ce paramètre est mis à jour une fois par heure et peut être consulté via le SCTL55 ou un maître IO-Link.

2.7.4. Température minimale - depuis toujours [°C]

Le capteur est doté d'une fonction intégrée qui enregistre la température la plus basse à laquelle il a été exposé pendant toute sa durée de vie opérationnelle. Ce paramètre est mis à jour une fois par heure et peut être consulté via le SCTL55 ou un maître IO-Link.

2.7.5. Température maximale - depuis la dernière mise sous tension [°C]

À l'aide de ce paramètre, l'utilisateur peut obtenir des informations sur la température maximale enregistrée depuis la mise sous tension. Cette valeur n'est pas sauvegardée dans le capteur, mais elle peut être consultée via le SCTL55 ou un maître IO-Link.

2.7.6. Température minimale - depuis la dernière mise sous tension [°C]

À l'aide de ce paramètre, l'utilisateur peut obtenir des informations sur la température minimale enregistrée depuis la mise sous tension. Cette valeur n'est pas sauvegardée dans le capteur, mais elle peut être consultée via le SCTL55 ou un maître IO-Link.

2.7.7. Température actuelle [°C]

À l'aide de ce paramètre, l'utilisateur peut obtenir des informations sur la température actuelle du capteur. La température peut être consultée via le SCTL55 ou un maître IO-Link.

2.7.8. Compteur de détection [cycles]

Le capteur enregistre chaque fois que le SSC1 change d'état. Ce paramètre est mis à jour une fois par heure et peut être consulté via le SCTL55 ou un maître IO-Link.

2.7.9. Minutes au-dessus de la température maximale [min]

Le capteur enregistre combien de minutes il a été opérationnel au-dessus de la température maximale. Le nombre maximum de minutes pouvant être enregistrées est de 2 147 483 647. Ce paramètre est mis à jour une fois par heure et peut être consulté via le SCTL55 ou un maître IO-Link.

2.7.10. Minutes en dessous de la température minimale [min]

Le capteur enregistre combien de minutes il a été opérationnel en dessous de la température minimale. Le nombre maximum de minutes pouvant être enregistrées est de 2 147 483 647. Ce paramètre est mis à jour une fois par heure et peut être consulté via le SCTL55 ou un maître IO-Link.

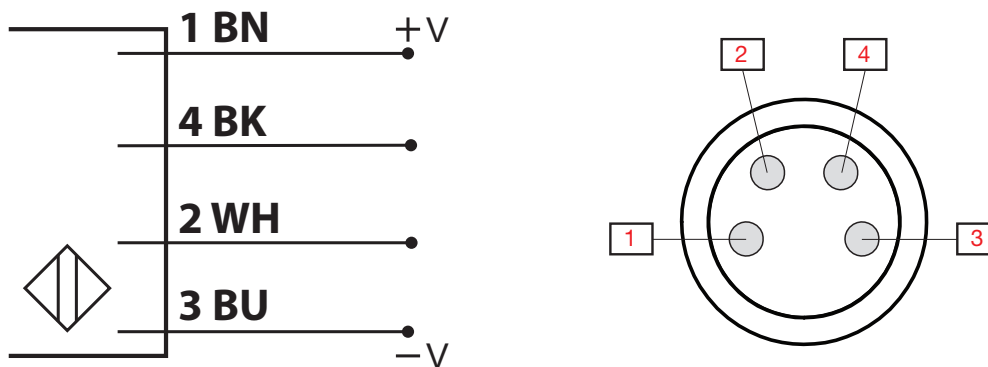
2.7.11. Compteur de téléchargement

Le capteur enregistre combien de fois ses paramètres ont été changés. Le nombre maximum de changements pouvant être enregistrés est de 65 536. Ce paramètre est mis à jour une fois par heure et peut être consulté via le SCTL55 ou un maître IO-Link.

REMARQUE !

En raison de l'échauffement interne, la température mesurée par le capteur sera toujours supérieure à la température ambiante.

La différence entre la température ambiante et la température interne est influencée par la façon dont le capteur est installé dans l'application. Si le capteur est installé dans un support métallique, la différence sera plus faible que si le capteur est monté dans un support plastique.

3. Schémas de câblage

Broche	Couleur	Signal	Description
1	Marron	10 ... 30 VCC	Alimentation du capteur
2	Blanc	Charge	Sortie 2 / Mode SIO / Entrée externe / Apprentissage externe
3	Bleu	GND	Masse
4	Noir	Charge	IO-Link / Sortie 1 / mode SIO

4. Mise en service

Le capteur est opérationnel 150 ms après la mise sous tension.

S'il est connecté à un maître IO-Link, aucun réglage supplémentaire n'est nécessaire et la communication IO-Link démarre automatiquement après que le maître IO-Link ait envoyé une demande de réveil au capteur.

5. Fonctionnement

5.1. Interface utilisateur du PD30ETDx10BPxxIO

Les capteurs PD30ETDx10BPxxIO sont équipés d'une LED jaune et d'une LED verte.

Mode SIO et IO-Link				
LED verte	LED jaune	Alimentation	Détection	
● ON	● OFF	ON	SSCI OFF (stable)	
● OFF	● OFF	ON	SSCI OFF (non stable) ou LED désactivées	
● OFF	● ON	ON	SSCI ON (non stable)	
● ON	● ON	ON	SSCI ON (stable)	
● OFF	● OFF	OFF	Alimentation non connectée	
-	● Clignote, 10 Hz 50% du cycle de service	ON	Court-circuit de la sortie	
-	● Clignote, 0,5 ... 20 Hz 50% du cycle de service	ON	Indication « minuterie déclenchée »	
Mode SIO uniquement				
-	● Clignote, 1 Hz ON 100 ms OFF 900 ms	ON	Apprentissage externe par fil. Seulement pour le mode Point unique	
-	● Clignote, 1 Hz ON 900 ms OFF 100 ms	ON	Fenêtre temporelle d'apprentissage (3 ... 6 s)	
-	● Clignote, 10 Hz ON 50 ms OFF 50 ms Clignote 2 s	ON	Temps d'apprentissage (12 sec)	
-	● Clignote, 2 Hz ON 250 ms OFF 250 ms Clignote 2 s	ON	Apprentissage réussi	
Mode IO-Link uniquement				
● Clignote, 1 Hz ON 900 ms OFF 100 ms	● OFF	ON	Le capteur est en mode IO-Link et SSCI est stable	
● Clignote, 1 Hz ON 100 ms OFF 900 ms	● ON	ON	Le capteur est en mode IO-Link et SSCI est instable	
● ● Clignote, 2 Hz 50% du cycle de service		ON	Trouver mon capteur	

6. Fichier IODD et réglage d'usine

6.1. Fichier IODD d'un appareil IO-Link

L'ensemble des caractéristiques, des paramètres de l'appareil et des valeurs de réglage du capteur sont rassemblés dans un fichier appelé Description de l'appareil d'IO (fichier IODD). Le fichier IODD est nécessaire pour établir la communication entre le SCTL55 ou le maître IO-Link et le capteur. Chaque fournisseur d'appareil IO-Link doit fournir ce fichier et le mettre à disposition pour le téléchargement sur son site web.

Le fichier IODD comprend :

- les données de processus et de diagnostic
- la description des paramètres avec le nom, la plage autorisée, le type des données et l'adresse (index et sous-index)
- les propriétés de communication, y compris le temps de cycle minimum de l'appareil
- l'identité de l'appareil, le numéro d'article, la photo de l'appareil et le logo du fabricant

Les fichiers IODD sont mis à disposition dans l'IODD finder et sur le site web de Carlo Gavazzi à l'adresse : <http://gavazziautomation.com>

6.2. Réglages d'usine

Les réglages d'usine par défaut sont listés à l'annexe 7 sous les valeurs par défaut.

7. Annexe

7.1. Acronymes

IntegerT	Entier signé
OctetStringT	Tableau d'octets
PDV	Process Data Variable (variable de données de processus)
R/W	Read and Write (lecture et écriture)
RO	Read Only (lecture seule)
SO	Switching Output (sortie de commutation)
SP	Set point (point de consigne)
TP	Point d'apprentissage
SSC	Switching Signal Channel (canal du signal de commutation)
StringT	Chaîne de caractères ASCII
TA	Alarme de température
UIntegerT	Entier non signé
WO	Write Only (écriture seule)
SC	Court-circuit
DA	Alarme de poussière
WDA	Alarme de goutte d'eau
AFO1	Fonctions d'application sortie 1

7.2. Paramètres des dispositifs IO-Link pour le PD30ETD IO-Link

7.2.1. Paramètres de l'appareil

Nom du paramètre	Indice déc (hex)	Accès	Valeur par défaut	Plage de données	Type de données	Longueur
Nom du fournisseur	16 (0x10)	RO	Carlo Gavazzi	-	StringT	20 octets
Texte du fournisseur	17 (0x11)	RO	www.gavazziautomation.com	-	StringT	34 octets
Nom du produit	18 (0x12)	RO	(nom du capteur) p.ex. PD30ETD110BPA210	-	StringT	20 octets
ID de produit	19 (0x13)	RO	(code EAN du produit) p.ex. 5709870394046	-	StringT	13 octets
Texte du produit	20 (0x14)	RO	p.ex. Cellule photoélectrique, réflexion diffuse, émetteur de lumière rouge, 1000 mm, boîtier inox, IO-Link	-	StringT	30 octets
Numéro de série	21 (0x15)	RO	(numéro de série unique) p.ex. 20210315C0001	-	StringT	13 octets
Révision du matériel	22 (0x16)	RO	(révision du matériel) p.ex. v01.00	-	StringT	6 octets
Révision du firmware	23 (0x17)	RO	(révision du firmware) p.ex. v01.00	-	StringT	6 octets
Étiquette spécifique à l'application	24 (0x18)	R/W	***	N'importe quelle chaîne de jusqu'à 32 caractères	StringT	max. 32 octets
Étiquette de fonction	25 (0x19)	R/W	***	N'importe quelle chaîne de jusqu'à 32 caractères	StringT	max. 32 octets
Étiquette d'emplacement	26 (0x1A)	R/W	***	N'importe quelle chaîne de jusqu'à 32 caractères	StringT	max. 32 octets
Entrée de données de processus	40 (0x28)	RO	-	-	IntegerT	32 bits

7.2.2. Surveillance

Nom du paramètre	Indice déc (hex)	Accès	Valeur par défaut	Plage de données	Type de données	Longueur
Configuration des données de processus	70 (0x46)	R/W	-	-	-	-
Valeur analogique	1 (0x01)	R/W	1 = Normale	0 = Inactif 1 = Normale 2 = Longueur de l'objet 3 = Vitesse de l'objet 4 = Valeur du compteur	RecordT	16 bit
Sortie de commutation 1	2 (0x02)	R/W	1 = Sortie de commutation 1 active	0 = Sortie de commutation 1 inactive 1 = Sortie de commutation 1 active	RecordT	16 bit
Sortie de commutation 2	3 (0x03)	R/W	1 = Sortie de commutation 2 active	0 = Sortie de commutation 2 inactive 1 = Sortie de commutation 2 active	RecordT	16 bit
Canal 1 du signal de commutation	4 (0x04)	R/W	0 = SSC1 inactif	0 = SSC1 inactif 1 = SSC1 actif	RecordT	16 bit
Canal 2 du signal de commutation	5 (0x05)	R/W	0 = SSC2 inactif	0 = SSC2 inactif 1 = SSC2 actif	RecordT	16 bit
Alarme poussière 1	6 (0x06)	R/W	0 = DA1 inactif	0 = DA1 inactif 1 = DA1 actif	RecordT	16 bit
Alarme poussière 2	7 (0x07)	R/W	0 = DA2 inactif	0 = DA2 inactif 1 = DA2 actif	RecordT	16 bit
Alarme de température	8 (0x08)	R/W	0 = TA inactive	0 = TA inactive 1 = TA active	RecordT	16 bit
Court-circuit	8 (0x08)	R/W	0 = SC inactif	0 = SC inactif 1 = SC actif	RecordT	16 bit
Alarme de goutte d'eau 1	10 (0x10)	R/W	0 = WDA1 inactif	0 = WDA1 inactif 1 = WDA1 actif	RecordT	16 bit
Alarme de goutte d'eau 2	11 (0x11)	R/W	0 = WDA2 inactif	0 = WDA2 inactif 1 = WDA2 actif	RecordT	16 bit
Fonctions d'application sortie 1	12 (0x12)	R/W	0 = AFO1 inactif	0 = AFO1 inactif 1 = AFO1 actif	RecordT	16 bit

7.2.3. Paramètres de SSC

Nom du paramètre	Indice déc (hex)	Accès	Valeur par défaut	Plage de données	Type de données	Longueur
Sélection de l'apprentissage	58 (0x3A)	RW	1 = SSC1	0 = Aucun canal sélectionné 1 = SSC1 (Signal de commutation Canal 1) 2 = SSC2 (Signal de commutation Canal 2)	UIntegerT	8 bit
Résultat de l'apprentissage	59 (0x3B)	-	-	-	-	-
État de l'apprentissage	1 (0x01)	RO	0 = Inactif	0 = Inactif 1 = Réussi 4 = En attente de commande 5 = Occupé 7 = Erreur	RecordT	8 bit
TP1 (Point d'apprentissage 1) du SP1 (point de consigne 1)	2 (0x02)	RO	0 = Pas OK	0 = Pas OK 1 = OK	RecordT	8 bit
TP2 (Point d'apprentissage 2) du SP1 (point de consigne 1)	3 (0x03)	RO	0 = Pas OK	0 = Pas OK 1 = OK	RecordT	8 bit
TP1 (Point d'apprentissage 1) du SP2 (point de consigne 2)	4 (0x04)	RO	0 = Pas OK	0 = Pas OK 1 = OK	RecordT	8 bit
TP2 (Point d'apprentissage 2) du SP2 (point de consigne 2)	5 (0x05)	RO	0 = Pas OK	0 = Pas OK 1 = OK	RecordT	8 bit
Paramètre de SSC1 (canal du signal de commutation)	60 (0x3C)	-	-	-	-	-
Point de consigne 1 (SP1)	1 (0x01)	R/W	100	0 ... 13 500	IntegerT	16 bit
Point de consigne 2 (SP2)	2 (0x02)	R/W	13 500	0 ... 13 500	IntegerT	16 bit
Configuration de SSC1 (canal du signal de commutation)	61 (0x3D)	-	-	-	-	-
Logique de commutation 1	1 (0x01)	R/W	0 = Actif High	0 = Actif High 1 = Actif Low	UIntegerT	8 bit
Mode	2 (0x02)	R/W	1 = Point unique	0 = Désactivé 1 = Point unique 2 = Fenêtre 3 = Deux points	UIntegerT	8 bit
Hystérésis	3 (0x03)	R/W	25%	5 ... 99%	UIntegerT	16 bit
Paramètre de SSC2	62 (0x3E)	-	-	-	-	-
Point de consigne 1 (SP1)	1 (0x01)	R/W	100	0 ... 13 500	IntegerT	16 bit
Point de consigne 2 (SP2)	2 (0x02)	R/W	13 500	0 ... 13 500	IntegerT	16 bit
Configuration de SSC2	63 (0x3F)	-	-	-	-	-
Logique de commutation 2	1 (0x01)	R/W	0 = Actif High	0 = Actif High 1 = Actif Low	UIntegerT	8 bit
Mode	2 (0x02)	R/W	0 = Désactivé	0 = Désactivé 1 = Point unique 2 = Fenêtre 3 = Deux points	UIntegerT	8 bit
Hystérésis	3 (0x03)	R/W	25%	5 ... 99%	UIntegerT	16 bit

7.2.4. Paramètres de sortie

Nom du paramètre	Indice déc (hex)	Accès	Valeur par défaut	Plage de données	Type de données	Longueur
Canal 1 (S01)	64 (0x40)	-	-	-	-	-
Mode Étage	1 (0x01)	R/W	1 = Sortie PNP	0 = Sortie désactivée 1 = Sortie PNP 2 = Sortie NPN 3 = Sortie push-pull	UIntegerT	8 bits
Sélecteur de l'entrée 1	2 (0x02)	R/W	1 = SSC 1	0 = Désactivé 1 = SSC 1 2 = SSC 2 3 = Alarme poussière 1 (DA1) 4 = Alarme poussière 2 (DA2) 5 = Alarme de température (TA) 6 = Entrée logique externe 7 = Fonctions d'application	UIntegerT	8 bits
Minuterie - Mode	3 (0x03)	R/W	0 = Minuterie désactivée	0 = Minuterie désactivée 1 = Retard à la mise sous tension 2 = Retard à l'arrêt 3 = Retard à la mise sous tension/retard à l'arrêt 4 = Impulsion sur bord d'attaque 5 = Impulsion sur bord de sortie	UIntegerT	8 bits
Minuterie - Échelle	4 (0x04)	R/W	0 = Millisecondes	0 = Millisecondes 1 = Secondes 2 = Minutes	UIntegerT	8 bits
Minuterie - Valeur	5 (0x05)	R/W	0	0 ... 32 767	IntegerT	16 bits
Fonction logique	7 (0x07)	R/W	0 = Direct	0 = Direct 1 = ET 2 = OU 3 = OU exclusif 4 = Verrou RS	UIntegerT	8 bits
Inversion de la sortie	8 (0x08)	R/W	0 = Non inversé (N.O.)	0 = Non inversé (normalement ouvert) 1 = Inversé (normalement fermé)	UIntegerT	8 bits
Canal 2 (S02)	65 (0x41)	-	-	-	-	-
Mode Étage	1 (0x01)	R/W	1 = Sortie PNP	0 = Sortie désactivée 1 = Sortie PNP 2 = Sortie NPN 3 = Sortie push-pull 4 = Entrée logique numérique (active High/Pull-down) 5 = Entrée logique numérique (active Low/Pull-up) 6 = Apprentissage (actif High)	UIntegerT	8 bits
Sélecteur de l'entrée 2	2 (0x02)	R/W	1 = SSC 1	0 = Désactivé 1 = SSC 1 2 = SSC 2 3 = Alarme poussière 1 (DA1) 4 = Alarme poussière 2 (DA2) 5 = Alarme de température (TA) 6 = Entrée logique externe 7 = Fonctions d'application	UIntegerT	8 bits
Minuterie - Mode	3 (0x03)	R/W	0 = Minuterie désactivée	0 = Minuterie désactivée 1 = Retard à la mise sous tension 2 = Retard à l'arrêt 3 = Retard à la mise sous tension/retard à l'arrêt 4 = Impulsion sur bord d'attaque 5 = Impulsion sur bord de sortie	UIntegerT	8 bits
Minuterie - Échelle	4 (0x04)	R/W	0 = Millisecondes	0 = Millisecondes 1 = Secondes 2 = Minutes	UIntegerT	8 bits
Minuterie - Valeur	5 (0x05)	R/W	0	0 ... 32 767	IntegerT	16 bits
Fonction logique	7 (0x07)	R/W	0 = Direct	0 = Direct 1 = ET 2 = OU 3 = OU exclusif 4 = Verrou RS	UIntegerT	8 bits
Inversion de la sortie	8 (0x08)	R/W	1 = Inversée (normalement fermée)	0 = Non inversée (normalement ouverte) 1 = Inversée (normalement fermée)	UIntegerT	8 bits

7.2.5. Paramètres réglables spécifiques au capteur

Nom du paramètre	Indice déc (hex)	Accès	Valeur par défaut	Plage de données	Type de données	Longueur
Sélection du réglage local/à distance	68 (0x44)	R/W	1 = Entrée du trimmer	0 = Désactivé 1 = Entrée du trimmer 2 = Apprentissage par fil	UIntegerT	8 bit
Valeur du trimmer SP1	69 (0x45)	RO	70	70 ... 13 500	UIntegerT	16 bit
Préréglage de l'application du capteur	71 (0x47)	R/W	0 = Normal	0 = Normal/basse précision (rapide) 1 = Haute précision (lent) 2 = Personnalisé (degré de filtrage)	UIntegerT	8 bit
Seuil d'alarme de la température	72 (0x48)	-	-	-	-	-
Seuil haut	1 (0x01)	R/W	70°C	-30 ... 70°C	IntegerT	16 bit
Seuil bas	2 (0x02)	R/W	- 20°C	-30 ... 70°C	IntegerT	16 bit
Limites de sécurité ON/OFF	73 (0x49)	-	-	-	-	-
SSC 1 - Limite de sécurité	1 (0x01)	R/W	20%	1 ... 100%	IntegerT	8 bit
SSC 2 - Limite de sécurité	2 (0x02)	R/W	20%	1 ... 100%	IntegerT	8 bit
Degré de filtrage	77 (0x4D)	R/W	1	1 ... 255	UIntegerT	8 bit
Indication par LED	78 (0x4E)	R/W	1 = Indication par LED active	0 = Indication par LED inactive 1 = Indication par LED active 2 = Trouver mon capteur	UIntegerT	8 bit
Mode d'hystérésis	80 (0x50)	R/W	0 = Hystérésis réglée manuellement	0 = Hystérésis réglée manuellement 1 = Hystérésis réglée automatiquement	UIntegerT	8 bit
Valeur de l'hystérésis automatique SSC1	81 (0x51)	-	-	-	-	-
ValeurHystérésisAutoSP1	1 (0x01)	RO	-	5 ... 99%	UIntegerT	16 bit
ValeurHystérésisAutoSP2	2 (0x02)	RO	-	5 ... 99%	UIntegerT	16 bit
Protection contre les interférences mutuelles	84 (0x54)	R/W	0 = Off	0 = Off 1 = Mode 1 capteur 2 = 2capteurs - capteur1 3 = 2capteurs - capteur2 4 = 3capteurs - capteur1 5 = 3capteurs - capteur2 6 = 3capteurs - capteur3	UInteger	8 bit

7.2.6. Réglage automatique

Nom du paramètre	Indice déc (hex)	Accès	Valeur par défaut	Plage de données	Type de données	Longueur
Configuration du réglage automatique	85 (0x54)	-	-	-	-	-
Configuration du réglage automatique	1 (0x01)	R/W	0 = Réglage automatique inactif	0 = Réglage automatique inactif 1 = Réglage automatique actif	UIntegerT	8 bit
Régler la taille de la fenêtre	2 (0x02)	R/W	20%	5 ... 50%	UIntegerT	8 bit
Changer la résolution	3 (0x03)	R/W	50%	5 ... 100%	UIntegerT	8 bit
Points de consigne corrigés	86 (0x56)	-	-	-	-	-
SSC1	4 (0x04)	RO	100	0 ... 13 500	UIntegerT	16 bit
SSC2	5 (0x05)	RO	100	0 ... 13 500	UIntegerT	16 bit

7.2.7. Fonction d'application

Nom du paramètre	Indice déc (hex)	Accès	Valeur par défaut	Plage de données	Type de données	Longueur
Sélecteur de fonction d'application	88 (0x58)	RO	0 = Aucune fonction d'application sélectionnée	0 = Aucune fonction d'application sélectionnée 1 = Vitesse et longueur 2 = Reconnaissance de motif 3 = Diviseur 4 = Surveillance des objets et des espaces	UIntegerT	8 bit

7.2.7.1. Vitesse et longueur

Nom du paramètre	Indice déc (hex)	Accès	Valeur par défaut	Plage de données	Type de données	Longueur
Configuration	89 (0x59)	-	-	-	-	-
Mode capteur	1 (0x01)	R/W	0 = Aucun rôle sélectionné	0 = Aucun rôle sélectionné 1 = Déclencher le capteur 2 = Capteur principal	UIntegerT	8 bit
Distance entre capteurs	2 (0x02)	R/W	100 mm	25 ... 150 mm	UIntegerT	8 bit
Résultat	90 (0x5A)	-	-	-	-	-
Vitesse de l'objet	1 (0x01)	RO	-	0 ... 2 000 mm/sec	UIntegerT	16 bit
Longueur de l'objet	2 (0x02)	RO	-	25 ... 60 000 mm	UIntegerT	16 bit
État	3 (0x03)	RO	0 = IDLE	0 = IDLE 1 = Mesure en cours 2 = Vitesse trop élevée 3 = Temporisation 4 = Objet trop long 5 = Défaillance logique	UIntegerT	8 bit

7.2.7.2. Reconnaissance de motif

Nom du paramètre	Indice déc (hex)	Accès	Valeur par défaut	Plage de données	Type de données	Longueur
Configuration de la reconnaissance de motif	91 (0x5B)	-	-	-	-	-
Temporisation	1 (0x01)	R/W	60 sec	1 ... 60 sec	UIntegerT	8 bit
Tolérance	2 (0x02)	R/W	50 %	1 ... 200 %	UIntegerT	8 bit
Rôle du capteur	3 (0x03)	R/W	0 = Aucun rôle sélectionné	0 = Aucun rôle sélectionné 1 = Déclencher le capteur 2 = Capteur principal	UIntegerT	8 bit
Résultat de la reconnaissance de motif	92 (0x5C)	-	-	-	-	-
Motif de référence	1 (0x01)	RO	0 = Non sauvegardé	0 = Non sauvegardé 1 = Sauvegardé	UIntegerT	8 bit
Motif de référence - Nombre de bords	2 (0x02)	RO	0	0 ... 20	UIntegerT	8 bit
Nombre de bords du dernier motif	3 (0x03)	RO	0	0 ... 20	UIntegerT	8 bit
État de la reconnaissance de motif	4 (0x04)	RO	0 = IDLE	0 = IDLE 1 = Mesure en cours 2 = Correspondance des motifs 3 = Temporisation 4 = Trop de bords 5 = ERREUR du compteur de BORDS 6 = ERREUR de timing des BORDS	UIntegerT	8 bit

7.2.7.2. Reconnaissance de motif (cont)

Nom du paramètre	Indice déc (hex)	Accès	Valeur par défaut	Plage de données	Type de données	Longueur
Menu de surveillance						
Reconnaissance de motif	97 (0x61)	-	-	-	-	-
Horodatage 1 ... 20	1 ... 20 (0x01 ... 14)	R/W	0	Horodatage pour chaque événement [ms]. Par rapport au démarrage (temps 0)	UIntegerT	16 bit
Motif de l'horodatage 1 ... 20	21 ... 40 (0x15 ... 28)	R/W	0 = Pas de flanc	0 = Pas de flanc 1 = Flanc positif 2 = Flanc négatif	UIntegerT	8 bit
Durée de la détection d'objet	41 (0x29)	R/W	0 ms	0 ... 65 535 ms	UIntegerT	16 bit
Motif de référence	42 (0x2A)	R/W	0 = Non sauvegardé	0 = Non sauvegardé 1 = Sauvegardé	UIntegerT	8 bit
Motif de référence - Nombre de bords	43 (0x2B)	R/W	0	0 ... 20	UIntegerT	8 bit

7.2.7.3. Diviseur

Nom du paramètre	Indice déc (hex)	Accès	Valeur par défaut	Plage de données	Type de données	Longueur
Configuration du diviseur et du compteur	93 (0x5D)	-	-	-	-	-
Limite du compteur	1 (0x01)	R/W	5	1 ... 65 535	UIntegerT	16 bit
Préréglage la valeur du compteur	2 (0x02)	R/W	0 -	0 ... 65 535	UIntegerT	16 bit
Résultat	94 (0x5E)	-	-	-	-	-
Valeur du compteur	1 (0x01)	RO	-	0 ... 65 535	UIntegerT	16 bit

7.2.7.4. Surveillance des objets et des espaces

Nom du paramètre	Indice déc (hex)	Accès	Valeur par défaut	Plage de données	Type de données	Longueur
Configuration de la surveillance des objets et des espaces	95 (0x5F)	-	-	-	-	-
Durée minimale de l'objet	1 (0x01)	R/W	500 ms	10 ... 60 000 ms	UIntegerT	16 bit
Durée maximale de l'objet	2 (0x02)	R/W	10 000 ms	10 ... 60 000 ms	UIntegerT	16 bit
Durée minimale de l'espace	3 (0x03)	R/W	500 ms	10 ... 60 000 ms	UIntegerT	16 bit
Durée maximale de l'espace	4 (0x04)	R/W	10 000 ms	10 ... 60 000 ms	UIntegerT	16 bit
Résultat de la surveillance des objets et des espaces	96 (0x60)	-	-	-	-	-
Durée de l'objet	1 (0x01)	RO	0 ms	0 ... 60 000 ms	UIntegerT	16 bit
Durée de l'espace	2 (0x02)	RO	0 ms	0 ... 60 000 ms	UIntegerT	16 bit
État de l'objet	3 (0x03)	RO	0 = IDLE	0 = IDLE 1 = Mesure en cours 2 = Dans les limites 3 = Temps trop long 4 = Temps trop court	UIntegerT	8 bit
État de l'espace	4 (0x04)	RO	0 = IDLE	0 = IDLE 1 = Mesure en cours 2 = Dans les limites 3 = Temps trop long 4 = Temps trop court	UIntegerT	8 bit

7.2.8. Paramètres de diagnostic

Nom du paramètre	Indice déc (hex)	Accès	Valeur par défaut	Plage de données	Type de données	Longueur
Diagnostic du capteur						
Erreur à l'avant	209 (0xD1)	RO	0 = OK	0 = OK. 1 = Incident.	IntegerT	8 bit
EE_MemoryFailure (pendant la mise en marche)	208 (0xD0)	-	-	-	-	-
Défaillance de la mémoire	1 (0x01)	RO	0 = OK	0 = OK. 1 = Incident.	IntegerT	8 bit
Diagnostic de la température						
Température maximale - depuis toujours	203 (0xCB)	RO	- °C	-50 ... 150 [°C]	IntegerT	16 bits
Température minimale - depuis toujours	204 (0xCC)	RO	- °C	-50 ... 150 [°C]	IntegerT	16 bits
Température maximale depuis la mise sous tension	205 (0xCD)	RO	- °C	-50 ... 150 [°C]	IntegerT	16 bits
Température minimale depuis la mise sous tension	206 (0xCE)	RO	- °C	-50 ... 150 [°C]	IntegerT	16 bits
Température actuelle	207 (0xCF)	RO	- °C	-50 ... 150 [°C]	IntegerT	16 bits
Minutes au-dessus de la température maximale	211 (0xD3)	RO	0 min	0 ... 2 147 483 647 [min]	IntegerT	32 bits
Minutes en dessous de la température minimale	212 (0xD4)	RO	0 min	0 ... 2 147 483 647 [min]	IntegerT	32 bits
Diagnostic en fonctionnement						
Heures de fonctionnement	201 (0xC9)	RO	0 h	0 ... 2 147 483 647 [h]	IntegerT	32 bits
Nombre de cycles de puissance	202 (0xCA)	RO	0	0 ... 2147483647	IntegerT	32 bits
Compteur de détection de SSC1	210 (0xD2)	RO	0	0 ... 2147483647	IntegerT	32 bits
Compteur d'événements de maintenance	213 (0xD5)	RO	0	0 ... 2 147 483 647	IntegerT	32 bit
Compteur de téléchargement	214 (0xD6)	RO	0	0 ... 65536	UIntegerT	16 bits
Qualité de l'apprentissage	75 (0x4B)	RO	-	0 ... 255	UIntegerT	8 bits
Qualité du fonctionnement	76 (0x4C)	RO	-	0 ... 255	UIntegerT	8 bits
Excès de gain	83 (0x53)	RO	-	1 ... 255%	UIntegerT	8 bit
Compteur d'erreurs	32 (0x20)	RO	0	0 ... 65535	UIntegerT	16 bits
État de l'appareil	36 (0x24)	RO	0 = L'appareil fonctionne correctement	0 = L'appareil fonctionne correctement 1 = Entretien nécessaire 2 = Hors spécification 3 = Contrôle fonctionnel 4 = Défaut	UIntegerT	8 bits
État détaillé de l'appareil	37 (0x25)	-	-	-	-	-
Défaut de température	-	RO	-	-	OctetStringT	3 octets
Dépassement par le haut de la température	-	RO	-	-	OctetStringT	3 octets
Dépassement par le bas de la température	-	RO	-	-	OctetStringT	3 octets
Court-circuit	-	RO	-	-	OctetStringT	3 octets
Entretien nécessaire	-	RO	-	-	OctetStringT	3 octets
Configuration des événements						
Configuration des événements	74 (0x4A)	-	-	-	-	-
Événement de maintenance (0x8C30)	1 (0x01)	R/W	0 = Événement de maintenance Inactif	0 = Événement de maintenance Inactif 1 = Événement de maintenance Actif	RecordT	16 bit
Événement de défaut de température (0x4000)	2 (0x02)	R/W	0 = Événement de défaut de température Inactif	0 = Événement de défaut de température Inactif 1 = Événement de défaut de température Actif	RecordT	16 bit
Événement de sur-température (0x4210)	3 (0x03)	R/W	0 = Événement de sur-température Inactif	0 = Événement de sur-température Inactif 1 = Événement de sur-température Actif	RecordT	16 bit
Événement de sous-température (0x4220)	4 (0x04)	R/W	0 = Événement de sous-température Inactif	0 = Événement de sous-température Inactif 1 = Événement de sous-température Actif	RecordT	16 bit
Short circuit event (0x7710)	5 (0x05)	R/W	0 = Événement de court-circuit Inactif	0 = Événement de court-circuit Inactif 1 = Événement de court-circuit Actif	RecordT	16 bit



Fotocélula IO-Link

PD30ETDx10BPxxIO

Manual de instrucciones

Betriebsanleitung

Manuel d'instructions

Manual de instrucciones

Manuale d'istruzione

Brugervejledning

使用手册

1. Introducción	132
1.1. Descripción	132
1.2. Validez de la documentación	132
1.3. Quién debería utilizar esta documentación.	132
1.4. Uso del producto	132
1.5. Precauciones de seguridad.	132
1.7. Acrónimos	133
2. Producto	134
2.1. Características principales	134
2.2. Número de identificación	134
2.3. Modos de funcionamiento	135
2.3.1. Modo SIO	135
2.3.2. Modo IO-Link	135
2.3.3. Datos de proceso.	136
2.4. Parámetros de salida.	137
2.4.1. Frontal del sensor	137
2.4.1.1. Canal de señal de conmutación (SSC)	137
2.4.1.2. Modo de punto de conmutación:	138
2.4.1.3. Ajustes de la histéresis	139
2.4.1.4. Alarma de polvo 1 y alarma de polvo 2.	139
2.4.1.5. Alarma de goteo de agua 1 y alarma de goteo de agua 2.	139
2.4.1.6. Alarma de temperatura (TA)	139
2.4.1.7. Entrada externa	140
2.4.2. Ajuste automático	140
2.4.3. Selector de entrada	140
2.4.4. Bloque de funciones lógicas	140
2.4.5. Temporizador (puede ajustarse de forma individual para Out1 y Out2)	142
2.4.5.1. Modo de temporizador	142
2.4.5.1.1. <i>Deshabilitado</i>	142
2.4.5.1.2. <i>Retardo a la conexión (T-on)</i>	142
2.4.5.1.3. <i>Retardo a la desconexión (T-off)</i>	142
2.4.5.1.4. <i>Retardo a la conexión y a la desconexión (T-on y T-off)</i>	143
2.4.5.1.5. <i>Impulso único con flanco ascendente</i>	143
2.4.5.1.6. <i>Impulso único con flanco descendente</i>	143
2.4.5.2. Escala de temporizador	144
2.4.5.3. Valor de temporizador	144
2.4.6. Inversor de salida	144
2.4.7. Modo de etapa de salida	144
2.4.8. Funciones de aplicación	145
2.4.8.1. Velocidad y longitud	145
2.4.8.1.1. <i>Requisitos</i>	145
2.4.8.1.2. <i>Velocidad y longitud – Procedimiento de ajuste</i>	145
2.4.8.2. Detección de patrón	146
2.4.8.2.1. <i>Requisitos</i>	146
2.4.8.2.2. <i>Ajuste de detección de patrón – Procedimiento de ajuste</i>	146
2.4.8.3. Función de divisor	148
2.4.8.3.1. <i>Requisitos</i>	148
2.4.8.3.2. <i>Función de divisor – Procedimiento de ajuste</i>	148
2.4.8.4. Supervisión de objeto y hueco	149
2.4.8.4.1. <i>Requisitos</i>	149
2.4.8.4.2. <i>OSupervisión de objeto y hueco – Procedimiento de ajuste</i>	149
2.5. Parámetros ajustables específicos del sensor	150
2.5.1. Selección de ajuste local o remoto	150
2.5.2. Datos del potenciómetro	150
2.5.3. Configuración de datos de proceso	150
2.5.4. Selección de parámetros de medición del sensor	151
2.5.5. Umbral de alarma de temperatura	151
2.5.6. Valores límite seguros	151
2.5.6.1. Stable ON	151
2.5.6.2. Stable OFF	151

2.5.7. Configuración de eventos	151
2.5.8. Calidad de funcionamiento QoR	152
2.5.9. Calidad de Teach QoT	152
2.5.10. Ganancia excesiva	153
2.5.11. Escalador de filtro	153
2.5.12. Interferencia mutua	153
2.5.13. Indicación LED	153
2.5.14. Modo de histéresis	153
2.5.15. Valor de histéresis automática	153
2.6. Procedimiento de Teach con el SCTL55 o un maestro IO-Link.	154
2.6.1. Teach externo (Teach por cable)	154
2.6.2. Teach por maestro IO-Link o configurador inteligente (SCTL55)	154
2.6.2.1. Procedimiento de modo de un punto	154
2.6.2.2. Procedimiento de modo de dos puntos	156
2.6.2.3. Procedimiento de modo de ventana	157
2.7. Parámetros de diagnóstico.	159
2.7.1. Horas de funcionamiento	159
2.7.2. Número de ciclos de encendido [ciclos]	159
2.7.3. Temperatura máxima - siempre alta [°C]	159
2.7.4. Temperatura mínima - siempre baja [°C]	159
2.7.5. Temperatura máxima desde último encendido [°C]	159
2.7.6. Temperatura mínima desde último encendido [°C]	159
2.7.7. Temperatura actual [°C]	159
2.7.8. Contador de detección [ciclos]	159
2.7.9. Minutos por encima de temperatura máxima [min]	159
2.7.10. Minutos por debajo de temperatura mínima [min]	159
2.7.11. Contador de descargas	159
3. Diagramas de cableado	160
4. Puesta en marcha	160
5. Funcionamiento.	161
5.1. Interfaz de usuario de PD30ETDx10BPxxIO	161
6. Archivo IODD y ajuste de fábrica.	162
6.1. Archivo IODD de un dispositivo IO-Link	162
6.2. Ajustes de fábrica	162
7. Anexo.	162
7.1. Acrónimos	162
7.2. Parámetros del dispositivo IO-Link para PD30ETD IO-Link	163
7.2.1. Parámetros del dispositivo	163
7.2.2. Observación	163
7.2.3. Parámetros de SSC	164
7.2.4. Parámetros de salida	165
7.2.5. Parámetros ajustables específicos del sensor	166
7.2.6. Auto Adjust	166
7.2.7. Función de aplicación	167
7.2.7.1. Velocidad y longitud	167
7.2.7.2. Detección de patrón	167
7.2.7.2. Detección de patrón (cont.)	168
7.2.7.3. Divisor	168
7.2.7.4. Supervisión de objeto y hueco	168
7.2.8. Parámetros de diagnóstico	169
Dimensiones	291
Nivel de señal.	291
Diagrama de detección	292
Normas de Instalación	293

1. Introducción

Este manual es una guía de referencia para las fotocélulas IO-Link PD30ETDx10BPxxIO de Carlo Gavazzi que describe cómo instalar, configurar y utilizar el producto para su uso previsto.

1.1. Descripción

Las fotocélulas de Carlo Gavazzi son dispositivos diseñados y fabricados de acuerdo con las normas internacionales IEC y las directivas CE de Baja tensión (2014/35/EU) y Compatibilidad electromagnética (2014/30/EU).

Carlo Gavazzi Industri se reserva todos los derechos sobre el presente documento, por lo que únicamente está permitido realizar copias del mismo para uso interno.

No dude en hacer cualquier sugerencia para mejorar este documento.

1.2. Validez de la documentación

Este manual es válido únicamente para las fotocélulas PD30ETDx10BPxxIO con IO-Link y hasta nueva publicación. Este manual de instrucciones describe las funciones, el funcionamiento y la instalación del producto para su uso previsto.

1.3. Quién debería utilizar esta documentación

Este manual contiene información importante acerca de la instalación y debe ser leído atentamente y comprendido por completo por el personal especializado que trabaje con estas fotocélulas.

Recomendamos encarecidamente que lea atentamente el manual antes de instalar el sensor. Guarde el manual. Estas fotocélulas de reflexión directa están diseñadas como sensores energizados, es decir, cuando el receptor

1.4. Uso del producto

recibe un nivel suficiente de luz emitida, el sensor reacciona y conmuta las salidas. El nivel de señal recibido se puede leer a través de los datos de proceso en el modo IO-Link.

Los sensores PD30ETDx10BPxxIO pueden funcionar con o sin comunicación IO-Link. Estos dispositivos se pueden operar y configurar utilizando un SCTL55 o un maestro IO-Link.

1.5. Precauciones de seguridad

Este sensor no debe utilizarse en aplicaciones en las que la seguridad del personal dependa del funcionamiento adecuado del sensor (el sensor no está diseñado conforme a la Directiva de máquinas UE).

El sensor debe ser instalado y utilizado únicamente por personal técnico cualificado con conocimientos básicos sobre instalaciones eléctricas.

El instalador es responsable de instalar correctamente el sensor conforme a las normativas de seguridad locales y debe garantizar que el sensor no suponga peligro alguno para personas ni equipos. Si el sensor está defectuoso, debe reemplazarse y protegerlo contra un uso no autorizado.

1.6. Otros documentos

Puede encontrar la ficha de datos, el archivo IODD y el manual de parámetros IO-Link en internet en <http://gavazziautomation.com>

1.7. Acrónimos

E/S	Entrada/salida
PD	Datos de proceso
PLC	Controlador lógico programable
SIO	Entrada/salida estándar
SP	Puntos de consigna
IODD	Descripción del dispositivo E/S
IEC	Comisión electrotécnica internacional
NO	Contacto normalmente abierto
NC	Contacto normalmente cerrado
NPN	Carga a tierra
PNP	Carga a V+
Push-Pull	Carga a tierra o a V+
QoR	Calidad de funcionamiento
QoT	Calidad de Teach
UART	Transmisor-receptor asíncrono universal
SO	Salida de conmutación
SSC	Canal de señal de conmutación
DA	Alarma de polvo
WDA	Alarma de goteo de agua
AFO	Función de aplicación salida
TA	Alarma de temperatura

2. Producto

2.1. Características principales



Las fotocélulas de reflexión directa CC de 4 conductores IO-Link de Carlo Gavazzi están fabricadas de acuerdo con los más altos estándares de calidad y están disponibles con carcasa de acero inoxidable AISI316L para entornos rudos. Con grado de protección IP69K y probado según ECOLAB.

Pueden funcionar en modo E/S estándar (SIO), que es el modo de funcionamiento predeterminado. Cuando están conectados a un SCTL55 o a un maestro IO-Link, conmutan automáticamente al modo IO-Link pudiéndose operar y configurar fácilmente de forma remota.

Gracias a su interfaz IO-Link, estos dispositivos son mucho más inteligentes y presentan numerosas opciones de configuración adicionales como, por ejemplo, se pueden ajustar la distancia de detección y la histéresis, así como las funciones de temporizador de la salida. Las funcionalidades avanzadas como el bloque de funciones lógicas y la posibilidad de convertir una salida en una entrada externa hacen de estos sensores soluciones muy flexibles.

Las funciones de aplicación como la detección de patrones, el control de velocidad y longitud, la función de divisor y la detección de objeto y hueco son funciones descentralizadas para resolver tareas de detección específicas.

2.2. Número de identificación

Código	Opción	Descripción
P	-	Fotocélula
D	-	Caja rectangular
30	-	Tamaño de la caja
E	-	Caja de acero inoxidable - AISI316L
T	-	Potenciómetro superior
D	-	Reflexión directa
	I	Luz infrarroja
	R	Luz roja
10	-	Distancia de detección de 1000 mm
B	-	Funciones seleccionables: NPN, PNP, push-pull, entrada externa (solo pin 2), entrada de Teach externa (solo pin 2)
P	-	Seleccionable: NO o NC
	A2	Cable de PVC de 2 metros
	M5	M8, conector de 4 polos
IO	-	Versión IO-Link

Pueden utilizarse caracteres adicionales para versiones personalizadas.

2.3. Modos de funcionamiento

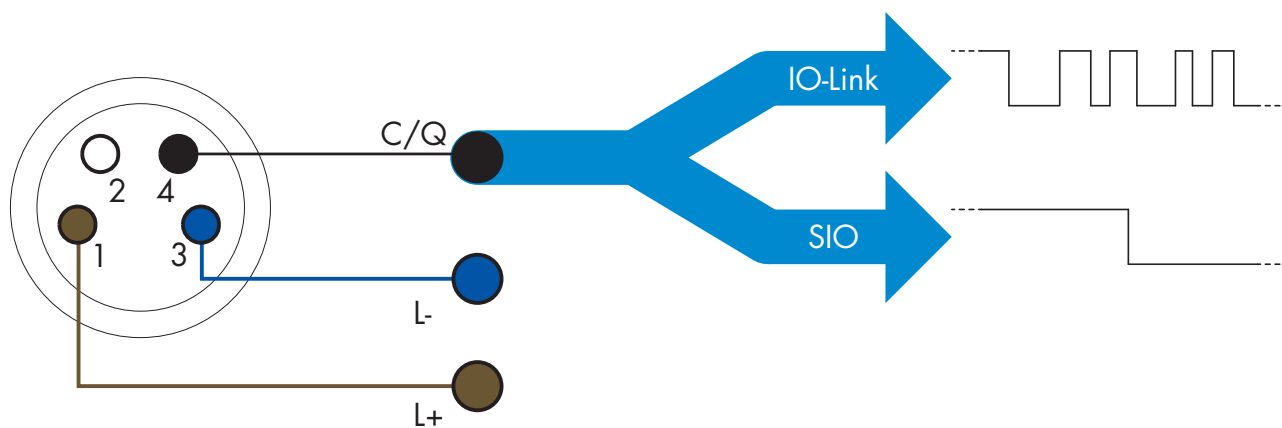
Las fotocélulas IO-Link se suministran con dos salidas de conmutación (SO) y pueden operarse en dos modos distintos: modo SIO (modo E/S estándar) o modo IO-Link (pin 4).

2.3.1. Modo SIO

Cuando el sensor opera en el modo SIO (por defecto), no se requiere ningún SCTL55 ni maestro IO-Link. El dispositivo funciona como fotocélula estándar y se puede operar mediante un dispositivo de bus de campo o un controlador (p. ej. un PLC) conectado a las entradas digitales PNP, NPN o push-pull (puerto E/S estándar). Uno de los mayores beneficios de estas fotocélulas es que se pueden configurar mediante un SCTL55 o un maestro IO-Link y, cuando se desconectan del maestro, mantienen los parámetros y ajustes configurados por última vez. De este modo, es posible, por ejemplo, configurar las salidas del sensor individualmente como una salida PNP, NPN o push-pull, o añadir funciones de temporizador como los retardos a la conexión (T-on) o a la desconexión (T-off), o funciones lógicas. Así, el mismo sensor puede satisfacer requisitos de diversas aplicaciones.

2.3.2. Modo IO-Link

IO-Link es una tecnología de E/S estandarizada reconocida a nivel mundial como norma internacional (IEC 61131-9). En la actualidad se considera la «interfaz USB» para sensores y actuadores en el sector de la automatización industrial. Cuando el sensor está conectado a un puerto IO-Link, el SCTL55 o el maestro IO-Link envía una solicitud de activación (impulso de activación) al sensor que, automáticamente, conmuta al modo IO-Link: entonces se inicia automáticamente la comunicación bidireccional punto a punto entre el maestro y el sensor. La comunicación IO-Link requiere solo un cable estándar sin apantallamiento de 3 hilos con una longitud máxima de 20 m.



La comunicación IO-Link tiene lugar con una modulación de impulso de 24 V, el protocolo estándar UART por medio del cable de conmutación y comunicación (canal combinado de datos y de estado de conmutación C/Q), PIN 4 o un cable negro.

Por ejemplo, un conector macho M8 de 4 polos tiene:

- Fuente de alimentación positiva: polo 1, marrón
- Fuente de alimentación negativa: polo 3, azul
- Salida digital 1: polo 4, negro
- Salida digital 2: polo 2, blanco

La velocidad de transmisión de los sensores PD30ETDx10BPxxIO es de 38,4 kBaud (COM2).

Una vez conectado al puerto IO-Link, el maestro dispone de acceso remoto a todos los parámetros del sensor y a las funcionalidades avanzadas, lo que permite cambiar los ajustes y la configuración durante el funcionamiento y habilita funciones de diagnóstico como, por ejemplo, avisos de temperatura, alarmas de temperatura y datos de proceso.

Gracias a IO-Link, es posible ver la información del fabricante y el número del artículo (datos de servicio) del dispositivo conectado, a partir de la V1.1. La función de almacenamiento de datos permite sustituir el dispositivo

y transferir automáticamente al dispositivo sustituto toda la información almacenada en el dispositivo anterior. El acceso a los parámetros internos permite al usuario ver el rendimiento del sensor, por ejemplo, leyendo la temperatura interna.

Los datos de eventos permiten al usuario obtener información de diagnóstico como errores, alarmas, avisos o problemas de comunicación.

Existen dos tipos de comunicación diferentes entre el sensor y el maestro que son independientes entre sí:

- Comunicación cíclica para los datos de proceso y el estado de los valores. Estos datos se intercambian cíclicamente.
- Comunicación acíclica para la configuración de parámetros, los datos de identificación, la información de diagnóstico y los eventos (p. ej., mensajes de error o avisos). Estos datos se intercambian bajo demanda.

2.3.3. Datos de proceso

Los datos de proceso muestran por defecto los siguientes parámetros como activos: 16 bit Analogue value, Switching Output 1 (SO1) y Switching Output 2 (SO2).

Los siguientes parámetros están ajustados como inactivos: SSC1, SSC2, TA, SC, DA1, DA2, AFO1, WDA1, WDA2.

Sin embargo, cambiando el parámetro Process Data Configuration, el usuario puede decidir habilitar también el estado de los parámetros inactivos. De este modo, se pueden observar en el sensor diversos estados al mismo tiempo.

Los datos de proceso se pueden configurar. Véase 2.5.3. Configuración de datos de proceso.

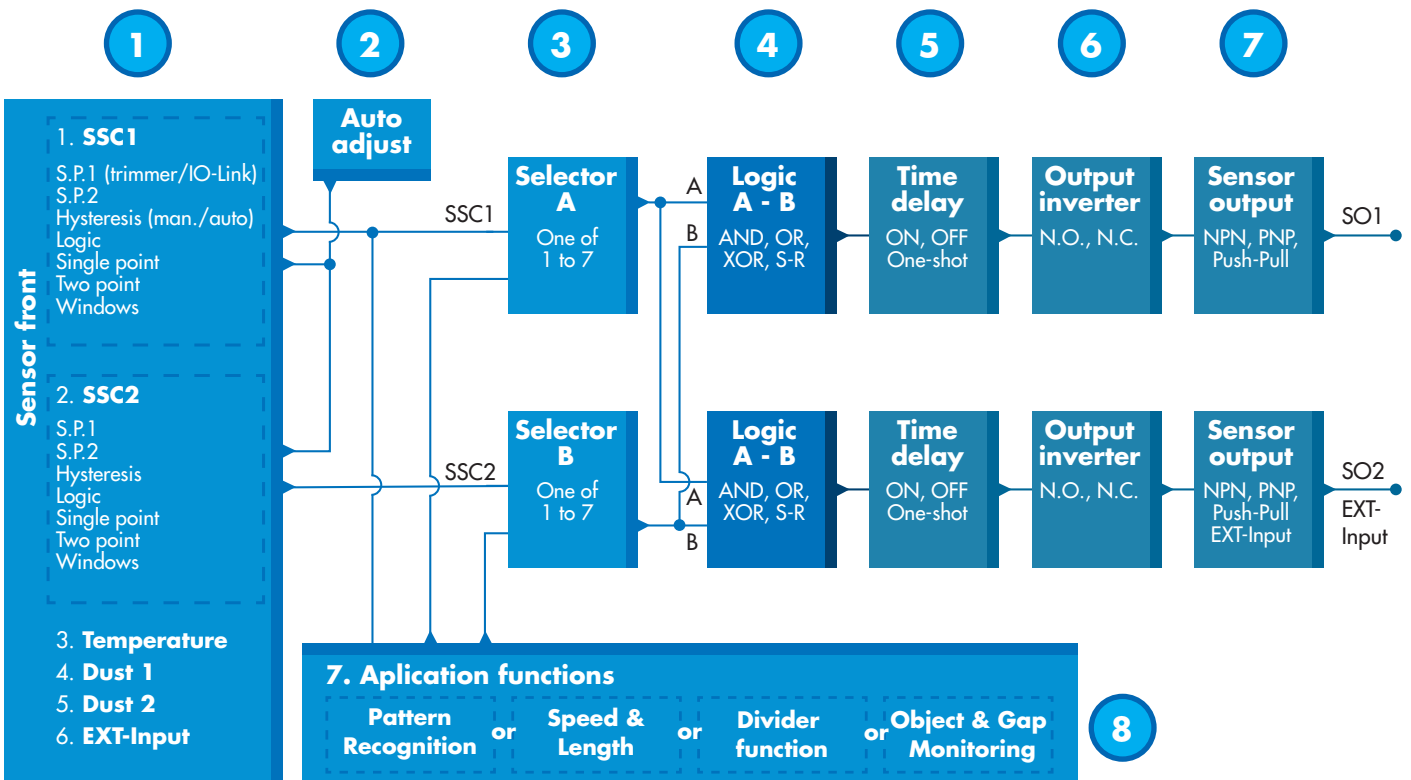
Byte 0	31	30	29	28	27	26	25	24
	MSB							
Byte 1	23	22	21	20	19	18	17	16
								LSB
Byte 2	15	14	13	12	11	10	9	8
			SC	TA	DA2	DA1	SSC2	SSC1
Byte 3	7	6	5	4	3	2	1	0
	AFO1				WDA2	WDA1	SO2	SO1

4 bytes

Valor analógico 16 ... 31 (16 bits)

2.4. Parámetros de salida

Se pueden seleccionar siete funciones de detección y cuatro funciones de aplicación. Estos valores pueden ajustarse de modo independiente y utilizarse como fuente para Switching Output 1 o 2. Además de estas, puede seleccionarse una entrada externa para SO2. Tras seleccionar una de estas fuentes, es posible configurar la salida del sensor con un SCTL55 o un maestro IO-Link siguiendo los siete pasos indicados más abajo para la configuración de la salida de conmutación. Una vez que el sensor se ha desconectado del maestro, este conmuta al modo SIO y conserva el último ajuste de configuración.



1

2.4.1. Frontal del sensor

La fotocélula de reflexión directa emite luz hacia un objetivo destino y mide el nivel de luz reflejado por el objeto. Cuando la energía del nivel de luz supera un valor predefinido, el sensor conmuta la salida. La distancia de detección depende del color, la forma y la estructura del objeto.

2.4.1.1. Canal de señal de conmutación (SSC)

Para detectar la presencia (o ausencia) de un objeto en frente del frontal del sensor están disponibles los siguientes ajustes: SSC1 o SSC2. Los puntos de consigna se pueden ajustar entre 100 ... 1 000 [mm]*.

* No se recomienda utilizar ajustes superiores a 1 000 mm. Sin embargo, si las condiciones son óptimas (superficie del objeto, luz ambiente, ruido ambiente y EMC, etc.), la distancia se puede ajustar con un valor superior a 1 000 mm.

2.4.1.2. Modo de punto de conmutación:

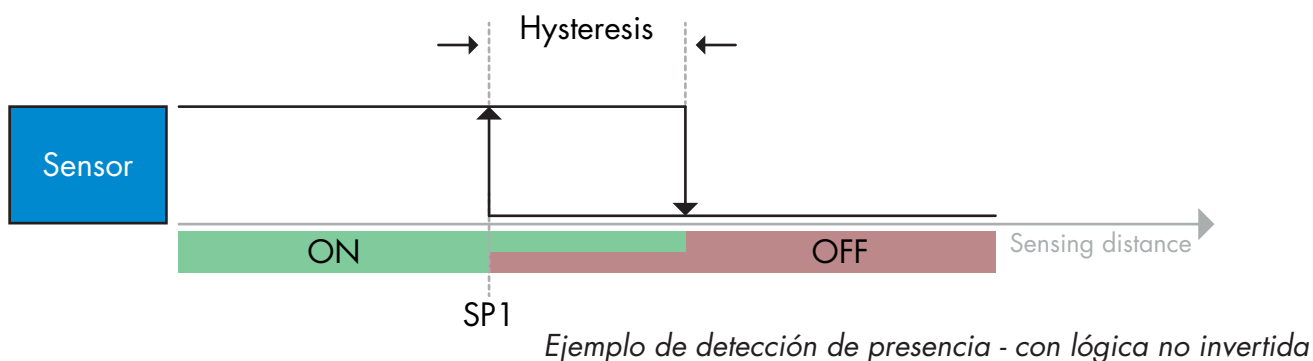
Cada canal SSC se puede operar en 3 modos distintos o se puede deshabilitar. El modo de punto de conmutación se puede utilizar para conseguir un comportamiento de salida más avanzado. Los siguientes modos de punto de conmutación se pueden seleccionar para el comportamiento de conmutación de SSC1 y SSC2.

Deshabilitado

SSC1 y SSC2 se pueden deshabilitar individualmente.

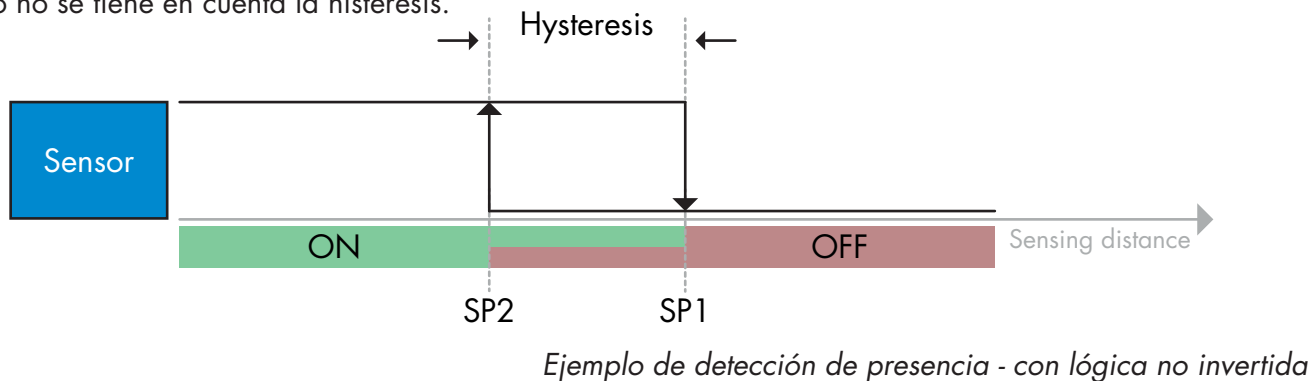
Modo de un punto

La información de conmutación cambia cuando el valor de medición excede el umbral definido en el punto de consigna SP1, con valores de medición en aumento o descenso, teniendo en cuenta la histéresis.



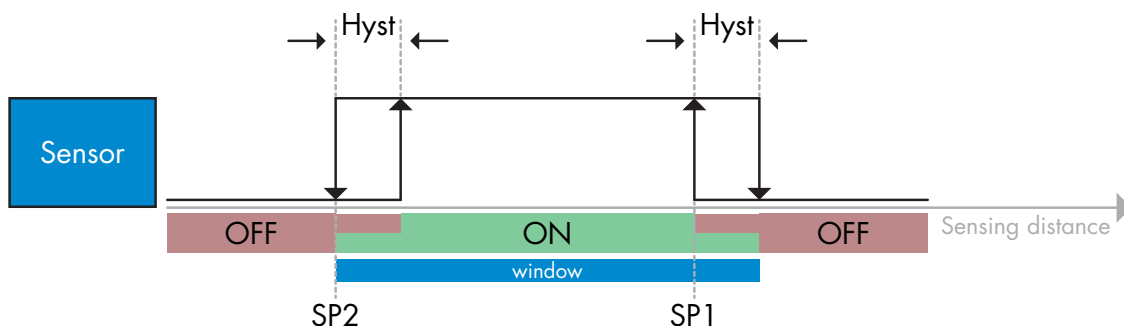
Modo de dos puntos

La información de conmutación cambia cuando el valor de medición excede el umbral definido en el punto de consigna SP1. Este cambio se produce únicamente con valores de medición en aumento. La información de conmutación también cambia cuando el valor de medición excede el umbral definido en el punto de consigna SP2. Este cambio se produce únicamente con valores de medición en descenso. En este caso no se tiene en cuenta la histéresis.



Modo de ventana

La información de conmutación cambia cuando el valor de medición excede el umbral definido en el punto de consigna SP1 y en el punto de consigna SP2, con valores de medición en aumento o descenso, teniendo en cuenta la histéresis.



Ejemplo de detección de presencia - con lógica no invertida

2.4.1.3. Ajustes de la histéresis

La histéresis se puede ajustar automática o manualmente para el SSC1 y solo manualmente para el SSC2. La histéresis se ajusta en forma de porcentaje del valor nominal seleccionado para SP1 y SP2.

Nota: Cuando se selecciona el potenciómetro, el ajuste por defecto es «Histéresis automática».

Histéresis automática:

La histéresis automática garantiza un funcionamiento estable para la mayoría de aplicaciones.

La histéresis se calcula con respecto al SP1/SP2. Los valores reales se pueden leer a través del parámetro «Valor de histéresis automático SSC1», cuyo valor típico es el 25 % del valor nominal para SP1 y SP2.

Histéresis manual:

Si se ha seleccionado la histéresis manual, esta se puede ajustar entre 5 ... 99 %.

Para las aplicaciones que requieren una histéresis que no sea la automática, esta se puede configurar manualmente. Esta característica hace que el sensor sea más versátil.

Nota: Debe prestar especial atención a la aplicación cuando se escoge una histéresis inferior a la histéresis automática.

2.4.1.4. Alarma de polvo 1 y alarma de polvo 2

El valor límite seguro se puede ajustar individualmente. Este se define como la distancia entre el punto de conmutación para la salida y el nivel de señal con el cual el sensor detecta de forma fiable incluso niveles bajos de polvo.

Vea 2.6.6. Valor límite seguro.

2.4.1.5. Alarma de goteo de agua 1 y alarma de goteo de agua 2

El valor límite seguro se puede ajustar individualmente. Este se define como la distancia entre el punto de conmutación para la salida y el nivel de señal con el cual el sensor detecta de forma fiable incluso niveles bajos de goteo de agua.

Vea 2.6.6. Valor límite seguro.

2.4.1.6. Alarma de temperatura (TA)

El sensor supervisa constantemente la temperatura interna. Con el ajuste de alarma de temperatura, el sensor emite una alarma cuando se exceden los umbrales de temperatura. Vea 2.5.5.

Se pueden realizar dos ajustes independientes para la alarma de temperatura. Uno para la alarma de temperatura máxima y uno para la alarma de temperatura mínima.

Se puede leer la temperatura del sensor mediante los datos de parámetros IO-Link acíclicos.

NOTA

La temperatura medida por el sensor será siempre superior a la temperatura ambiente debido al calentamiento interno.

La diferencia entre la temperatura ambiente y la temperatura interna se ve afectada por cómo está montado el sensor en la aplicación.

2.4.1.7. Entrada externa

La salida 2 (SO2) puede configurarse como entrada externa permitiendo que se envíen señales externas al sensor ya sea desde un segundo sensor, desde un PLC o directamente desde la salida de una máquina.

2

2.4.2. Ajuste automático

La función de ajuste automático se puede activar para compensar la formación de polvo y gotas de agua. En base con el valor de consigna ajustado a través del potenciómetro, los parámetros IO-Link SSC1_SP1 / SSC2_SP1 o por Teach, el sensor supervisa continuamente las señales recibidas del objeto y el fondo. Si no se puede alcanzar un estado OFF u ON estable, el sensor aumenta o disminuye el valor de consigna.

La alarma de polvo se activa cuando el ajuste automático ha alcanzado su sensibilidad máxima y se requiere una limpieza.

La alarma de goteo de agua se activa cuando el ajuste automático ha alcanzado su sensibilidad mínima y se requiere una limpieza.

3

2.4.3. Selector de entrada

Este bloque de funciones permite al usuario seleccionar cualquier señal desde el frontal del sensor al canal A o B.

Canales A y B: es posible seleccionar entre SSC1, SSC2, Alarma de polvo 1, Alarma de polvo 2, Alarma de goteo de agua 1, Alarma de goteo de agua 2, Alarma de temperatura y Entrada externa.

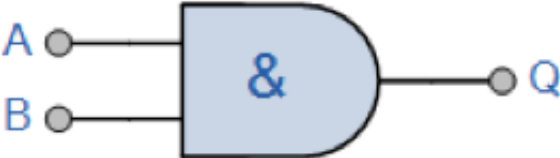
4

2.4.4. Bloque de funciones lógicas

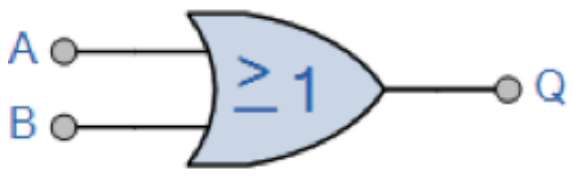
En el bloque de funciones lógicas, se puede añadir directamente una función lógica a las señales seleccionadas en el selector de entrada sin tener que utilizar un PLC, permitiendo así decisiones descentralizadas.

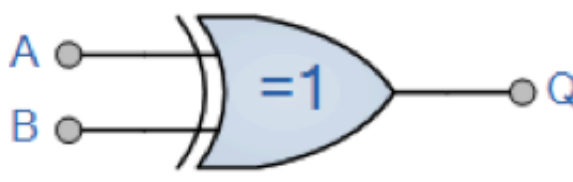
Las funciones lógicas disponibles son: AND, OR, XOR, SR-FF.

Función AND

Símbolo	Tabla de verdad		
 <p>Puerta AND con 2 entradas</p>	A	B	Q
	0	0	0
	0	1	0
	1	0	0
	1	1	1
Expresión booleana Q = A.B	Leída como A Y B da como resultado Q		

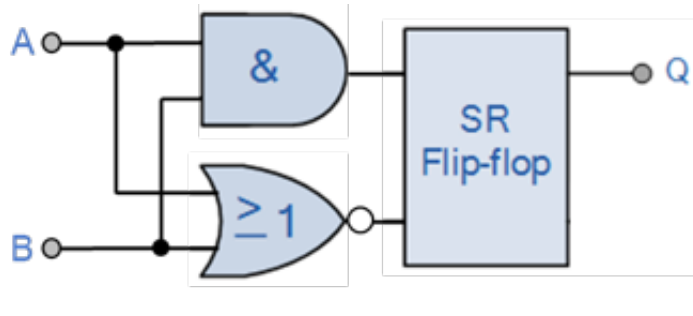
Función OR

Símbolo	Tabla de verdad		
 <p>Puerta OR con 2 entradas</p>	A	B	Q
	0	0	0
	0	1	1
	1	0	1
	1	1	1
Expresión booleana $Q = A + B$ Función XOR	Leída como $A \odot B$ da como resultado Q		

Símbolo	Tabla de verdad		
 <p>Puerta XOR con 2 entradas</p>	A	B	Q
	0	0	0
	0	1	1
	1	0	1
	1	1	0
Expresión booleana $Q = A \oplus B$	A \odot B, pero NO AMBAS , da como resultado Q		

Función «Gated SR-FF»

La función está diseñada de tal modo que, por ejemplo, con tan solo dos sensores interconectados, se puede emitir una señal de inicio o de stop para un alimentador intermedio en función del nivel de llenado del alimentador adyacente o la cinta de transporte receptora.

Símbolo	Tabla de verdad		
	A	B	Q
	0	0	0
	0	1	X
	1	0	X
	1	1	1

X – sin cambios en la salida.

2.4.5. Temporizador (puede ajustarse de forma individual para Out1 y Out2)

El temporizador permite al usuario introducir diferentes funciones de temporizador editando 3 parámetros:

- Modo de temporizador
- Escala de temporizador
- Valor de temporizador

2.4.5.1. Modo de temporizador

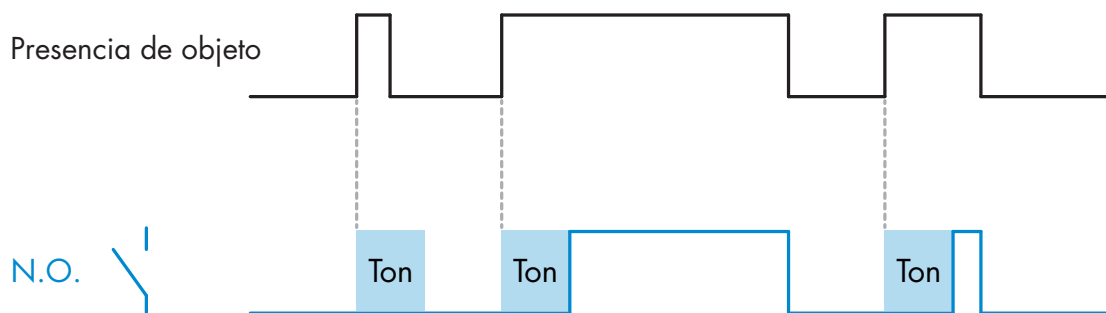
Selecciona qué tipo de función de temporizador se ha introducido en la salida de conmutación. Es posible cualquiera de las siguientes:

2.4.5.1.1. Deshabilitado

Esta opción deshabilita la función de temporizador independientemente de la configuración de la escala y del retardo del temporizador.

2.4.5.1.2. Retardo a la conexión (T-on)

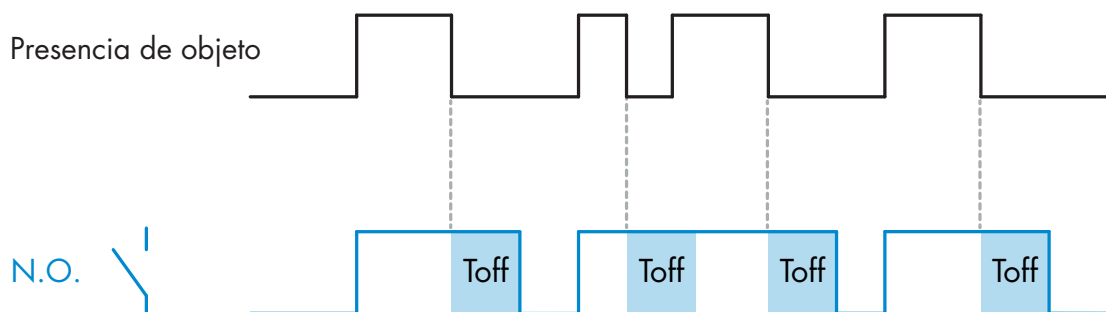
La activación de la salida de conmutación se genera después de la activación real del sensor mostrada en la siguiente figura.



Ejemplo con salida normalmente abierta

2.4.5.1.3. Retardo a la desconexión (T-off)

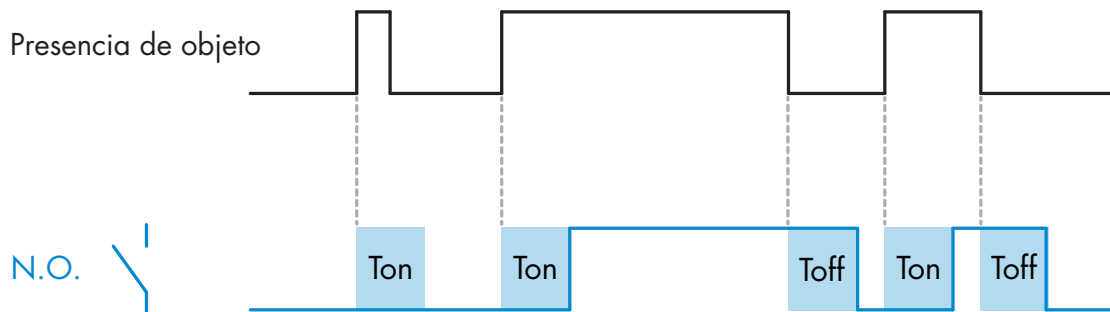
La desactivación de la salida de conmutación se retrasa con respecto al momento de retirada del objeto en frente del sensor como se muestra en la siguiente figura.



Ejemplo con salida normalmente abierta

2.4.5.1.4. Retardo a la conexión y a la desconexión (T-on y T-off)

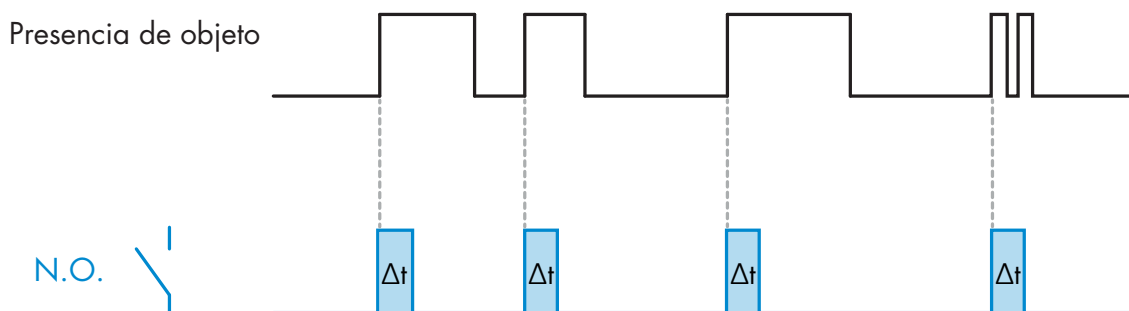
Cuando este parámetro está seleccionado, se aplican los retardos T-on y T-off a la generación de la salida de conmutación.



Ejemplo con salida normalmente abierta

2.4.5.1.5. Impulso único con flanco ascendente

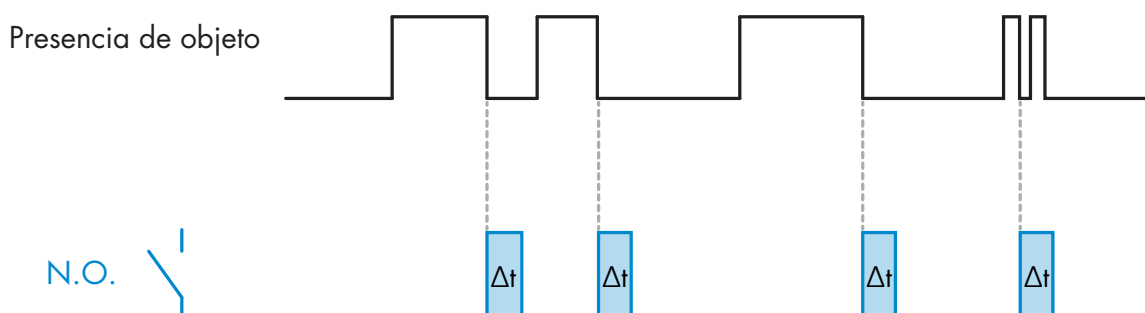
Cada vez que se detecta un objeto en frente del sensor, la salida de conmutación genera un impulso de longitud constante en el flanco ascendente de la detección. Esta función no se puede volver a activar. Vea la siguiente figura.



Ejemplo con salida normalmente abierta

2.4.5.1.6. Impulso único con flanco descendente

Modo de función similar a la del modo de impulso único con flanco ascendente, aunque en este modo la salida de conmutación se cambia en el flanco descendente de la señal tal y como se muestra en la siguiente figura.



Ejemplo con salida normalmente abierta

2.4.5.2. Escala de temporizador

El parámetro define si el retardo especificado en el retardo de temporizador debe indicarse en milisegundos, segundos o minutos.

2.4.5.3. Valor de temporizador

El parámetro define la duración real del retardo. El retardo puede ajustarse a cualquier valor entero comprendido entre 1 y 32 767.

6

2.4.6. Inversor de salida

Esta función permite al usuario invertir el funcionamiento de la salida de conmutación entre normalmente abierta y normalmente cerrada.

FUNCIÓN RECOMENDADA

La función recomendada se encuentra en los parámetros bajo 64 (0x40) subíndice 8 (0x08) para SO1 y 65 (0x41) subíndice 8 (0x08) para SO2. No afecta negativamente a las funciones lógicas ni a las funciones de temporizador del sensor puesto que se agrega después de estas funciones.

PRECAUCIÓN

No se recomienda utilizar la función lógica de conmutación que puede encontrarse bajo 61 (0x3F) subíndice 1 (0x01) para SSC1 y 63 (0x3D) subíndice 1 (0x01) para SSC2 puesto que afectará negativamente en las funciones lógicas o de temporizador provocando, p. ej., que esta función convierta un retardo a la conexión en un retardo a la desconexión ya que se añade para SSC1 y SSC2. Es solo para SO1 y SO2.

7

2.4.7. Modo de etapa de salida

En este bloque de funciones, el usuario puede seleccionar si las salidas de conmutación deben funcionar como:

SO1: Deshabilitada, NPN, PNP o push-pull.

SO2: Deshabilitada, NPN, PNP, push-pull, entrada externa (active low/pull-up), entrada externa (active low/pull-up) o entrada de Teach externa.

2.4.8. Funciones de aplicación

Las 4 funciones de aplicación especiales se pueden seleccionar únicamente vía IO-Link.

- Velocidad y longitud.
- Detección de patrón.
- Divisor.
- Supervisión de objeto y hueco.

Todas las funciones de aplicación están desactivada por defecto.

2.4.8.1. Velocidad y longitud

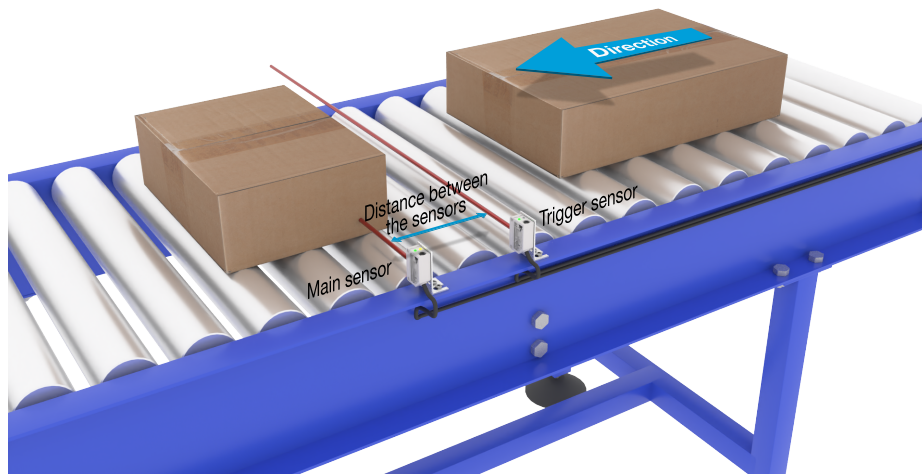
Esta función está diseñada para controlar la longitud de un objeto así como la velocidad de la cinta transportadora a través de únicamente los dos sensores interconectados. Los valores reales de longitud [mm] y velocidad [mm/s] están disponibles directamente en el maestro IO-Link.

○ bien la longitud o bien la velocidad se puede ajustar como datos de proceso.

2.4.8.1.1. Requisitos

Para esta función se requieren dos sensores: sensor de disparo y sensor principal.

2.4.8.1.2. Velocidad y longitud – Procedimiento de ajuste



Alineación del disparo y el sensor principal

Preparación del sensor

- 1) Monte dos sensores en la cinta transportadora con una distancia de, p. ej., 100 mm
- 2) Conecte los dos sensores al SCTL55 o al maestro IO-Link
- 3) Cargue los archivos IODD en el SCTL55 o el maestro IO-Link
- 4) Conecte la fuente de alimentación de los sensores
- 5) Restablezca los ajustes de fábrica de los sensores con el SCTL55 o el maestro IO-Link.
- 6) Alinee los dos sensores de tal modo que los haces de luz estén paralelos unos con otros y estén orientados hacia el objeto.
- 7) Ajuste la sensibilidad de los sensores con el fin de que detecten de forma fiable el objeto. (Los LED amarillo y verde están encendidos y, con ello, señalizan «Stable ON» y modo IO-Link)

Ajustes de parámetros IO-Link (vea las opciones para el rango de datos en § 7.2.7.1.)

- 8) Sensor de disparo: (el objeto primero pasa por el sensor de disparo)
 - a) Seleccione «Velocidad y longitud» en el SCTL55 o el maestro IO-Link; menú «Parámetros» -> «Funciones de aplicación»

- b) Seleccione «Rol del sensor» -> «Sensor de disparo»
- c) Se ha completado la configuración de los parámetros IO-Link para el sensor de disparo
- 9) Sensor principal: (calcula la velocidad y longitud, y proporciona los datos vía IO-Link)
 - a) Restablezca los ajustes de fábrica del sensor con «Restablecer ajustes de fábrica» (si ya se ha llevado a cabo en el punto 5, se puede saltar este paso).
 - b) Seleccione «Velocidad y longitud» en el SCTL55 o el maestro IO-Link; menú «Parámetros» -> «Funciones de aplicación»
 - c) Seleccione «Rol del sensor» -> «Sensor principal».
 - d) Introduzca la distancia entre los dos sensores en [mm] en el menú «Medición de la velocidad y la longitud sensor principal» -> «Distancia entre sensores»
 - e) En caso de que sea necesario en el menú «Supervisión» en «Datos de proceso», seleccione «Longitud de objeto» o «Velocidad de objeto» en «Configuración de datos de proceso» -> «Valor analógico»
 - i. La longitud de objeto se indica en [mm]
 - ii. La velocidad de objeto se indica en [mm/s]
- 10) Conecta la salida Pin 2 del sensor de disparo a la entrada Pin 2 del sensor principal
- 11) Ahora la función de velocidad y longitud ya está disponible.

NOTA Los cambios en la velocidad de la cinta transportadora durante la medición pueden influenciar el resultado.

2.4.8.2. Detección de patrón

Con la función detección de patrón se puede comprobar si una pieza fabricada tiene, p. ej., todos los taladros o tapones esperados y si la pieza está fabricada de acuerdo con las especificaciones.

En el sensor se puede memorizar el patrón de la pieza y entonces las piezas siguientes se comparan con el patrón guardado previamente.

Si el patrón coincide, el sensor emitirá una señal o un comando positivo según si se opera como equipo autónomo o con maestro IO-Link

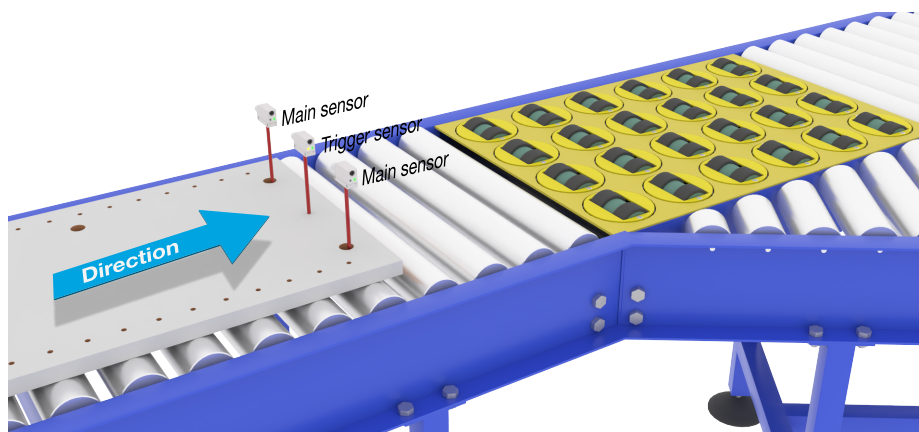
El patrón puede contener como máximo 20 bordes, p. ej. 10 taladros o 10 tapones.

Si se deben detectar varios patrones, se pueden conectar varios sensores principales a un único sensor de disparo.

2.4.8.2.1. Requisitos

Para esta función se requieren dos sensores: sensor de disparo y sensor principal. Sin embargo, en caso de que se deban detectar varios patrones simultáneamente, se pueden conectar varios sensores principales al sensor de disparo.

2.4.8.2.2. Ajuste de detección de patrón – Procedimiento de ajuste



Alineación del disparo y el sensor principal

Preparación del sensor

- 1) Monte dos sensores en la cinta transportadora de tal modo que el objeto alcance los dos sensores al mismo tiempo.
- 2) Conecte los dos sensores al SCTL55 o al maestro IO-Link

- 3) Cargue los archivos IODD en el SCTL55 o el maestro IO-Link
- 4) Conecte la fuente de alimentación de los sensores
- 5) Restablezca los ajustes de fábrica de los sensores con el SCTL55 o el maestro IO-Link.
- 6) Alinee los dos sensores de tal modo que los haces de luz detecten el borde del objeto al mismo tiempo.
- 7) El sensor de disparo se debe montar en una posición donde continuamente detecte únicamente el objeto sin taladros ni tapones.
- 8) El sensor principal se debe montar de tal modo que detecte los tapones o taladros que contiene el patrón que se debe examinar
- 9) Ajuste la sensibilidad de los sensores con el fin de que detecten de forma fiable el objeto.
(Los LED amarillo y verde están encendidos y, con ello, señalizan «Stable ON» y modo IO-Link)

Ajustes de parámetros IO-Link (vea las opciones para el rango de datos en § 7.2.7.2.)

- 10) Sensor de disparo:
 - a) Seleccione «Detección de patrón» en el SCTL55 o el maestro IO-Link; menú «Parámetros» -> «Funciones de aplicación»
 - b) Seleccione «Rol del sensor» -> «Sensor de disparo»
 - c) Se ha completado la configuración de los parámetros IO-Link para el sensor de disparo
- 11) Sensor principal:
 - a) Seleccione «Detección de patrón» en el SCTL55 o el maestro IO-Link; menú «Parámetros» -> «Funciones de aplicación»
 - b) Seleccione «Rol del sensor» -> «Sensor principal».
 - c) En el menú «Ajuste de detección de patrón» -> «Timeout», introduzca el valor de timeout utilizado para el tiempo de evaluación máximo entre 1 ... 60 s (el valor predeterminado es de 60 s)
 - d) Introduzca la tolerancia del patrón en ‰ (por mil) entre 1 y 200 ‰ en el menú «Ajuste de detección de patrón» -> «Tolerancia» (el valor predeterminado es 50 ‰)
- 12) Conecta la salida Pin 2 del sensor de disparo a la entrada Pin 2 del sensor o sensores principales

Ejecutar Teach del patrón

- 13) Active el comando «Ejecutar Teach de patrón» para iniciar la programación del patrón
- 14) Pase el objeto a una velocidad continua completamente más allá de los sensores
NOTA Los cambios en la velocidad de la cinta transportadora durante la medición pueden influenciar el resultado.
- 15) El sensor responde con:
 - a) «Guardado» en «Resultado de detección del patrón» -> «Patrón de referencia»
 - b) «P. ej. 12» en «Resultado de detección del patrón» -> «Núm. de bordes del patrón de referencia» (cuenta tanto los bordes delanteros como traseros de los objetos de medición).
 - c) Para cada borde, se guarda el valor de medición en ms a partir del borde delantero del objeto. Este valor se puede encontrar en el menú «Supervisión». Cuando se comparan con el patrón de referencia los bordes se normalizan como valor porcentual del objeto completo de medición. Esto garantiza que el patrón se pueda detectar a diversas velocidades constantes.
- 16) El patrón se puede guardar como un proyecto en el SCTL55 o el maestro IO-Link y, más adelante, se puede enviar al sensor para utilizar este patrón específico como patrón de referencia.
- 17) Ahora la función de detección de patrón ya está disponible.
- 18) Vuelva a pasar el objeto a una velocidad continua completamente más allá de los sensores
- 19) El sensor responde con el texto
 - a) «P. ej. 12» en «Resultado de detección del patrón» -> «Núm. de bordes del patrón de referencia»
- 20) «Coincidencia de patrones» en «Resultado de detección de patrón» -> «Estado de detección de patrón»

Funcionamiento autónomo en el modo SIO

- 21) Desconecte el sensor del SCTL55 o el maestro IO-Link y conecte el Pin 4 a su columna de luz descentralizada o bifurcación de cinta transportadora en buen/mal estado
- 22) Cuando ya se ha detectado un patrón válido, la salida Pin 4 responde con un impulso de 1 segundo.

Múltiples patrones

Se pueden detectar múltiples patrones simultáneamente en el mismo objeto utilizando solo un sensor de disparo y múltiples sensores principales. Cada sensor principal responde a un patrón específico.

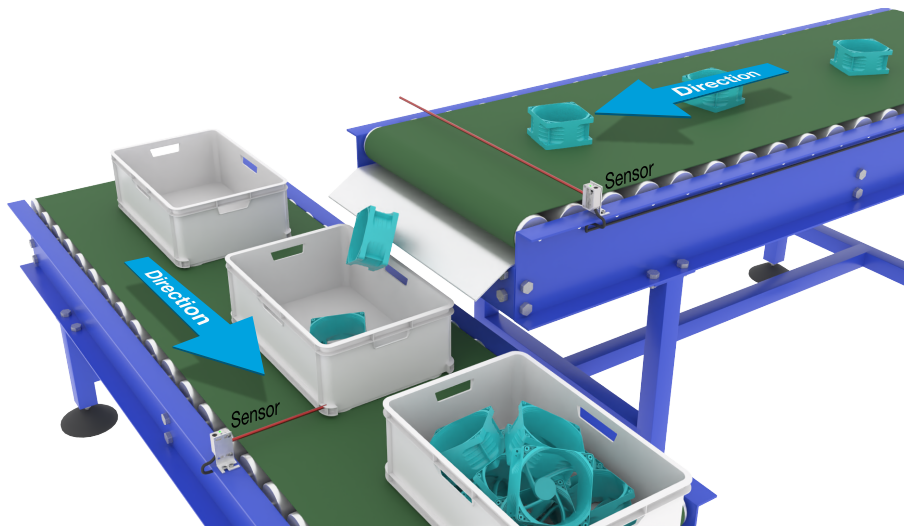
2.4.8.3. Función de divisor

Esta función permite al usuario, p. ej., ajustar un número de detecciones de objeto que se deben realizar antes de que cambie el estado de la salida. Por defecto, este valor está ajustado a 1 y cada activación cambia el estado de la salida. Cuando el valor está ajustado a un valor superior, p. ej. 10, entonces el sensor activa la salida en cada décima detección. El sensor emite el impulso de recuento en el borde trasero del objeto. En el siguiente ejemplo de aplicación, el sensor debe cambiar el estado de la salida tras haber detectado 8 productos. La salida del sensor indica «caja llena» y una nueva caja se desplaza enfrente de la cinta transportadora primaria. El contador se puede reiniciar manualmente vía SO2. SO2 está configurada por defecto como botón de reset externo.

2.4.8.3.1. Requisitos

Para esta función solo se utiliza un sensor.

2.4.8.3.2. Función de divisor – Procedimiento de ajuste



Alineación del sensor

Preparación del sensor

- 1) Monte los sensores en la cinta transportadora en la posición donde se detecte el borde trasero del objeto justo antes de caer en la caja.
- 2) Conecte el sensor al SCTL55 o al maestro IO-Link.
- 3) Cargue el archivo IODD en el SCTL55 o el maestro IO-Link.
- 4) Conecte la fuente de alimentación del sensor.
- 5) Restablezca los ajustes de fábrica del sensor con el SCTL55 o el maestro IO-Link.
- 6) Alinee el sensor de tal forma que el haz de luz detecte el objeto.
- 7) Ajuste la sensibilidad del sensor con el fin de que detecte de forma fiable el objeto.
(Los LED amarillo y verde están encendidos y, con ello, señalizan «Stable ON» y modo IO-Link)

Ajustes de parámetros IO-Link (vea las opciones para el rango de datos en § 7.2.7.3.)

- 8) Seleccione «Divisor» en el SCTL55 o el maestro IO-Link; menú «Parámetros» -> «Funciones de aplicación»
- 9) Introduzca el valor de contador en el menú «Ajuste del contador y del divisor» -> «Límite del contador» entre 1 y 65.535 (el valor predeterminado es 1).
- 10) Si se requiere un valor preajustado, este se puede ajustar en el menú «Divisor y contador» -> «Valor de contador preajustado» entre 0 y 65.535 (el valor predeterminado es 0).

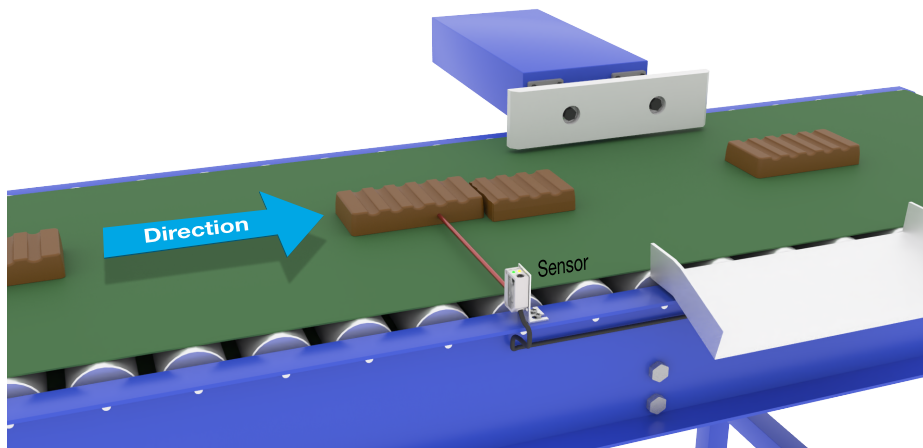
2.4.8.4. Supervisión de objeto y hueco

Esta función está diseñada para controlar que la longitud de un objeto y el hueco entre este y el siguiente objeto en la cinta transportadora se encuentren dentro de los valores límites definidos. El sensor autónomo emite una señal cuando el tamaño del objeto es demasiado pequeño, cuando los objetos se solapan entre sí o cuando el hueco entre dos objetos es demasiado pequeño para los procesos posteriores.

2.4.8.4.1. Requisitos

Only a single sensor is being used for this function. Para esta función solo se utiliza un sensor.

2.4.8.4.2. OSupervisión de objeto y hueco – Procedimiento de ajuste



Alineación del sensor

Preparación del sensor

- 1) Monte el sensor en la cinta transportadora en la posición deseada.
- 2) Conecte el sensor al SCTL55 o al maestro IO-Link.
- 3) Cargue el archivo IODD en el SCTL55 o el maestro IO-Link.
- 4) Conecte la fuente de alimentación del sensor.
- 5) Restablezca los ajustes de fábrica del sensor con el SCTL55 o el maestro IO-Link.
- 6) Alinee el sensor de tal forma que el haz de luz esté dirigido al objeto que debe ser detectado.
- 7) Ajuste la sensibilidad del sensor con el fin de que detecte de forma fiable el objeto.
(Los LED amarillo y verde están encendidos y, con ello, señalizan «Stable ON» y modo IO-Link)

Ajustes de parámetros IO-Link (vea las opciones para el rango de datos en § 7.2.7.4.)

- 8) Seleccione «Supervisión de objeto y hueco» en el SCTL55 o el maestro IO-Link; menú «Parámetros» -> «Funciones de aplicación».
- 9) Duración de detección de objeto:
 - a) Introduzca el tiempo mínimo en el cual se debe detectar el objeto en el menú «Supervisar objeto y hueco» -> «Duración mínima de detección de objeto» entre 10 y 60.000 ms (el valor predeterminado es 500 ms), p. ej. 130 ms.
La duración de detección de objeto medida se puede leer «Supervisar objeto y hueco» -> «Duración de detección de objeto».
 - b) Introduzca el tiempo máximo en el cual se debe detectar el objeto en el menú «Supervisar objeto y hueco» -> «Duración máxima de detección de objeto» entre 10 y 60.000 ms (el valor predeterminado es 500 ms), p. ej. 150 ms.
La duración de detección de objeto medida se puede leer «Supervisar objeto y hueco» -> «Duración de detección de objeto».

- 10) Duración de detección de hueco:
- Introduzca el tiempo mínimo en el cual se debe detectar el hueco en el menú «Supervisar objeto y hueco» -> «Duración mínima de detección de hueco» entre 10 y 60.000 ms (el valor predeterminado es 500 ms), p. ej. 110 ms.
La duración de detección de hueco medida se puede leer en «Supervisar objeto y hueco» -> «Duración de detección de hueco».
 - Introduzca el tiempo máximo en el cual se debe detectar el hueco en el menú «Supervisar objeto y hueco» -> «Duración máxima de detección de hueco» entre 10 y 60.000 ms (el valor predeterminado es 500 ms), p. ej. 130 ms.
La duración de detección de hueco medida se puede leer en «Supervisar objeto y hueco» -> «Duración de detección de hueco».
- 11) Ahora el sensor está listo para operar.
- 12) El parámetro para la longitud de objeto emite una de las siguientes informaciones: «Medición en curso dentro de los límites admisibles», «Tiempo demasiado largo» o «Tiempo demasiado corto».
- 13) El parámetro para la longitud de hueco emite una de las siguientes informaciones: «Medición en curso dentro de los límites admisibles», «Tiempo demasiado largo» o «Tiempo demasiado corto».

Funcionamiento autónomo en el modo SIO

- 14) Desconecte el sensor del SCTL55 o del maestro IO-Link.
- 15) La salida Pin 4 se activa cuando la duración de detección de objeto es demasiado larga o demasiado corta.
- 16) La salida Pin 2 se activa cuando la duración de detección de hueco es demasiado larga o demasiado corta.
- NOTA** Si se evalúan ambas salidas utilizando una función OR lógica, se puede utilizar la salida de esta función OR como salida de error común para el objeto y el hueco.

2.5. Parámetros ajustables específicos del sensor

Además de los parámetros directamente relacionados con la configuración de la salida, el sensor también cuenta con diversos parámetros internos útiles para la configuración y el diagnóstico.

2.5.1. Selección de ajuste local o remoto

Con este ajuste puede seleccionar cómo ajustar la distancia de detección: con «Entrada de potenciómetro» o «Teach por cable» utilizando la entrada externa del sensor, o puede deshabilitar la entrada de potenciómetro seleccionando «Ajuste IO-Link» para proteger el sensor contra manipulaciones.

2.5.2. Datos del potenciómetro

El rango de datos entre 13.500 y 70 unidades corresponde a 100 ... 1.000 mm.

2.5.3. Configuración de datos de proceso

Cuando el sensor funciona en el modo IO-Link, el usuario puede acceder a las variables de datos de proceso cíclicos.

Los datos de proceso muestran por defecto los siguientes parámetros como activos: 16 bit Analogue value, Switching Output 1 (SO1) y Switching Output 2 (SO2).

Los siguientes parámetros están ajustados como inactivos: SSC1, SSC2, DA1, DA2, TA, SC, WDA1, WDA2, AFO1.

Sin embargo, cambiando el parámetro Process Data Configuration, el usuario puede decidir habilitar también el estado de los parámetros inactivos. De este modo, se pueden observar en el sensor diversos estados al mismo tiempo.

NOTA Si se seleccionan las funciones de aplicación, se pueden seleccionar más opciones para los «Valores analógicos» en la pestaña «Supervisión».

2.5.4. Selección de parámetros de medición del sensor

El sensor tiene 3 preajustes de precisión que se pueden seleccionar en función del entorno:

- Precisión estándar (escalador de filtro fijado a 1)
- Alta precisión (escalador de filtro ajustado a 10 - lento)
- Personalizada (el escalador de filtro se puede ajustar de 1 a 255)

La precisión se puede ajustar en el parámetro «Escalador de filtro». Vea 2.6.9.

2.5.5. Umbral de alarma de temperatura

Se puede ajustar la temperatura máxima y mínima con la que se activa la alarma de temperatura. Esto significa que el sensor emite una alarma cuando se excede la temperatura máxima o mínima. Las temperaturas pueden ajustarse entre -50 °C y $+150\text{ °C}$. Los valores por defecto son: -30 °C para el umbral inferior y $+120\text{ °C}$ para el umbral superior.

2.5.6. Valores límite seguros

Los valores límite seguros se pueden fijar para el sensor en % de los valores fijados para SP1 y SP2. Para SSC1 y SSC2 se pueden ajustar también valores límite seguros individuales. Se utilizan para el cálculo de una señal «Stable ON» o «Stable OFF».

- Alarma de polvo: si se exceden los valores límite seguros, se activa la alarma de polvo (vea la descripción de la alarma de polvo)
- Alarma de goteo de agua: si se exceden los valores límite seguros, se activa la alarma de goteo de agua (vea la descripción de la alarma de goteo de agua).
- Ajuste automático: Si se alcanzan los valores límite seguros para la función de ajuste automático, se activa la alarma para la limpieza del frontal del sensor.
- El LED verde también está influenciado por los valores límite seguros. Cambiando la distancia hasta que el LED muestre «Stable ON», se puede ajustar manualmente la distancia de conmutación.

2.5.6.1. Stable ON

El sensor está en Stable ON cuando detecta una señal un $x\%$ mayor (ajustado en los valores límite seguros) que el valor, para el cual la salida se conecta.

2.5.6.2. Stable OFF

El sensor está en Stable OFF cuando detecta una señal un $x\%$ menor (ajustado en los valores límite seguros) que el valor, para el cual la salida se desconecta.

2.5.7. Configuración de eventos

Los eventos de temperatura transmitidos a través de la interfaz IO-Link están desactivados por defecto en el sensor. Si el usuario desea obtener información sobre temperaturas críticas detectadas en la aplicación del sensor, este parámetro permite habilitar o deshabilitar los 4 eventos siguientes:

- Evento de error de temperatura: el sensor detecta una temperatura fuera del rango de funcionamiento especificado.
- Temperatura excesiva: el sensor detecta una temperatura superior al valor ajustado en el umbral de alarma de temperatura.
- Temperatura insuficiente: el sensor detecta una temperatura inferior al valor ajustado en el umbral de alarma de temperatura.
- Cortocircuito: el sensor detecta si la salida del sensor presenta un cortocircuito.

2.5.8. Calidad de funcionamiento QoR

La calidad de funcionamiento informa al usuario del rendimiento real del sensor evaluando los siguientes parámetros:

Señal máxima, señal mínima, histéresis, punto de conmutación y valores límite seguros.

El valor para QoR puede variar de 0 a 255 %.

El valor QoR se actualiza en cada ciclo de detección.

En la siguiente tabla se listan ejemplos de QoR.

Valores de calidad de funcionamiento	Explicación
> 150%	Condiciones de detección excelentes: no se espera que el sensor requiera mantenimiento en un futuro próximo.
100%	Buenas condiciones de detección: el sensor se comporta como cuando se programaron o se ajustaron manualmente los puntos de consigna. <ul style="list-style-type: none">• Bajo cualquier condición ambiental se debe esperar una fiabilidad duradera.• No se espera que requiera mantenimiento.
50%	Condiciones medias de detección <ul style="list-style-type: none">• Debido a la condiciones ambientales, la fiabilidad de los valores de medición se ve reducida y se requieren trabajos de mantenimiento para mejorar el comportamiento de detección.• Si las condiciones ambientales se mantienen estables, se puede esperar una detección fiable en un futuro próximo.
0%	Condiciones de detección no fiables: el sensor no funciona correctamente, se requiere realizar el mantenimiento de inmediato.

2.5.9. Calidad de Teach QoT

La calidad del valor de Teach permite conocer al usuario la calidad del procedimiento de Teach realizado, evaluando la relación entre los siguientes parámetros: TP2, TP1, histéresis y valores límite seguros.

El valor para QoT puede variar de 0 a 255 %.

El valor QoT se actualiza en cada procedimiento de Teach.

En la siguiente tabla se listan ejemplos de QoT.

Valores de calidad de Teach	Explicación
> 150%	Condiciones de Teach excelentes: no se espera que el sensor requiera mantenimiento en un futuro próximo.
100%	Buenas condiciones de Teach: el sensor se ha programado con los valores límite seguros ajustados a los valores límite seguros estándar: <ul style="list-style-type: none">• Bajo cualquier condición ambiental se debe esperar una fiabilidad duradera.• No se espera que requiera mantenimiento.
50%	Condiciones medias de Teach. <ul style="list-style-type: none">• Las condiciones ambientales no permiten la detección fiable durante un período de tiempo más largo. En un futuro próximo se requerirán trabajos de mantenimiento.• Si las condiciones ambientales se mantienen estables, se puede esperar una detección fiable en un futuro próximo.
0%	Resultado de Teach de mala calidad. <ul style="list-style-type: none">• Malas condiciones de detección para una detección fiable (p. ej. margen de medición demasiado pequeño entre el objeto y el entorno).

2.5.10. Ganancia excesiva

El valor de ganancia excesiva describe la razón entre la luz recibida por la fotocélula y la luz requerida por el sensor para su funcionamiento.

El valor de ganancia excesiva se puede encontrar en la pestaña Diagnóstico del SCTL55 o el maestro IO-Link.

$$\text{Ganancia excesiva} = \frac{\text{Luz recibida por el sensor}}{\text{Luz requerida por el sensor para conmutar la salida}}$$

2.5.11. Escalador de filtro

Esta función puede incrementar la inmunidad respecto a los objetos inestables y las interferencias electromagnéticas. El valor de esta función se puede ajustar de 1 a 255. El ajuste de fábrica es 1. El filtro funciona como promedio. Esto significa que si el ajuste de filtro es 1, se ajusta la frecuencia de detección máxima, mientras que si el ajuste de filtro es 255, se ajusta la frecuencia de detección mínima.

2.5.12. Interferencia mutua

En una instalación óptima, los sensores se deben montar de tal forma que no se produzcan interferencias entre ellos. Sin embargo, en los casos que no es posible, se puede utilizar la función protección contra interferencia mutua. Con esta función se incrementa la inmunidad significativamente, aunque tenga también un impacto negativo en la velocidad de detección. Cuando el filtro está activado, el sensor analiza las señales recibidas e intenta filtrar los impulsos de interferencia.

Modo de 1 sensor: se debe utilizar cuando el sensor está distorsionado por un sensor externo, una potente luz flash o una potente fuente de luz modulada, p. ej. LED.

El tiempo de respuesta aumenta hasta 5 veces más.

Modo de 2 sensores: se debe utilizar cuando dos sensores idénticos interfieren entre sí.

El tiempo de respuesta aumenta hasta 5 o 6 veces más.

Modo de 3 sensores: se debe utilizar cuando tres sensores idénticos interfieren entre sí.

El tiempo de respuesta aumenta hasta 5 ... 7 veces más.

2.5.13. Indicación LED

La indicación LED se puede configurar en 3 modos diferentes: Inactiva, Activa o Encontrar mi sensor.

Inactiva: Los LED están siempre apagados

Activa: Los LED siguen el esquema de indicaciones de 5.1.

Encontrar mi sensor: Los LED parpadean alternando 2Hz con ciclo de trabajo 50% para localizar fácilmente el sensor.

2.5.14. Modo de histéresis

Véase 2.4.1.3.Ajustes de la histéresis

2.5.15. Valor de histéresis automática

Véase 2.4.1.3.Ajustes de la histéresis

2.6. Procedimiento de Teach con el SCTL55 o un maestro IO-Link

Los puntos de consigna se pueden ajustar utilizando el procedimiento de Teach. Este garantiza que los puntos de consigna se fijan en un valor óptimo tomando en consideración los valores límite seguros y la histéresis.

2.6.1. Teach externo (Teach por cable)

NOTA Esta función se opera en el Modo de un punto y únicamente para el SP1 en el SSC1.

La función de Teach por cable se debe seleccionar utilizando el SCTL55 o el maestro IO-Link:

- Seleccione «Teach-in» en «Canal 2 (SO2)» -> «Configuración canal 2. Modo de circuito de salida.
- Seleccione «Modo de un punto» en «Señal de conmutación canal 1» -> «Modo de configuración SSC1».
- Seleccione «Teach por cable» en «Un punto SSC1» -> «Selección de ajuste local/remoto».

Procedimiento de Teach por cable.

- Coloque el objeto delante del sensor.
- Conecte la entrada de cable de Teach (pin 2, cable blanco) a V+ (pin 1, cable marrón).
El LED amarillo empieza a parpadear a 1Hz (10% on), indicando que se está ejecutando el Teach.
- Tras unos 3-6 segundos, la ventana de Teach se abre. En este momento, el parpadeo pasa a 90%.
Desconecte el cable blanco.
- Si el Teach se ha realizado con éxito, el LED amarillo parpadea 4 veces (2Hz, 50%).
- El nuevo punto de consigna programado se puede encontrar en «Un punto SSC1» -> «Punto de consigna» -> «Parámetro SSC1. Punto de consigna 1».
Si el Teach ha fallado o se ha interrumpido, el sensor sale del modo de Teach

NOTA: Si el cable blanco se desconecta fuera de la ventana de Teach, se interrumpe el Teach.

Si el cable blanco no se desconecta durante 12 segundos, se interrumpe el Teach (timeout indicado por un número de parpadeos rápidos del LED amarillo (5 Hz, 50%)).

2.6.2. Teach por maestro IO-Link o configurador inteligente (SCTL55)

- Seleccione el modo de configuración SSC1 o SSC2:
SSC1: Seleccione «Un punto», «Ventana» o «Dos puntos» en «Canal de señal de conmutación 1» -> «Modo de configuración SSC1».
NOTA Si «Un punto» está seleccionado, el «Ajuste IO-Link» se debe seleccionar en «Un punto SSC1» -> «Selección de ajuste local/remoto».
SSC2: Seleccione «Un punto», «Ventana» o «Dos puntos» en «Canal de señal de conmutación 2» -> «Modo de configuración SSC2».
- Seleccione el canal que se debe programar, p. ej., «Canal de señal de conmutación 1» o «Canal de señal de conmutación 2» en «Teach-in» -> «Teach-in, seleccionar».

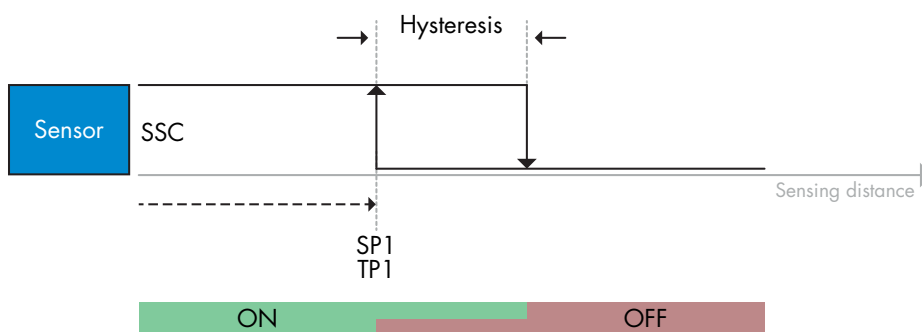
2.6.2.1. Procedimiento de modo de un punto

1) Secuencia de comando de Teach de un solo valor:

Secuencia de comando de Teach de un solo valor.

(Los botones se encuentran en: «Teach-in de SSC1» o «Teach-in de SSC2» -> «Teach-in valor único SSC1» o «Teach-in valor único SSC2»).

- Coloque el objeto delante del sensor.
- Pulse «Teach SP1».
- El resultado de Teach-in se muestra en «Resultado Teach-in -Y Estado Teach-in», p. ej. «SATISFACTORIO».
- QoT se muestra en «Calidad de Teach» p. ej. 100 %.



2) Secuencia de comando de Teach dinámico

Teach dinámico para secuencia de comando de Teach de un solo valor

(Los botones se encuentran en: «Teach-in de SSC1» o «Teach-in de SSC2» -> «Teach-in dinámico de SSC1» o «Teach-in dinámico de SSC2»)

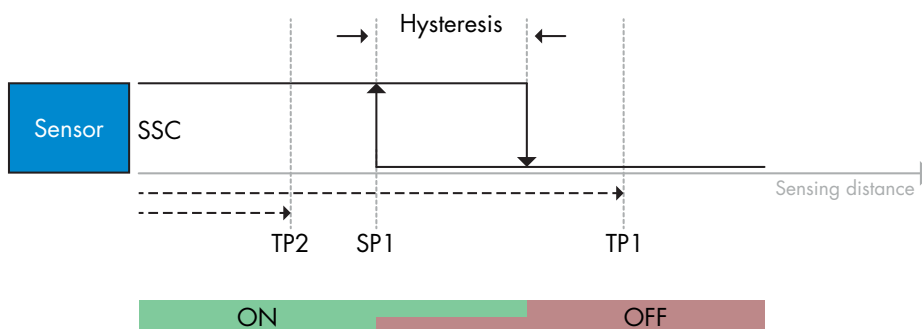
1. Pulse «Iniciar Teach SP1».
2. Desplace el objeto dentro y fuera del área de detección, en posiciones ligeramente diferentes, delante del sensor.
3. Pulse «Parar Teach SP1».
4. El resultado de Teach-in se muestra en «Resultado Teach-in -Y Estado Teach-in», p. ej. «SATISFACTORIO».
5. QoT se muestra en «Calidad de Teach» p. ej. 150 %

3) Secuencia de comando de Teach de dos valores

Dos valores de Teach para SP1

(Los botones se encuentran en: «Teach-in de SSC1» o «Teach-in de SSC2» -> «Teach-in dos valores SSC1» o «Teach-in dos valores SSC2»)

1. Desplace el objeto a la posición para SP1 TP1
 - A. Pulse «Teach SP1 TP1».
 - B. «Resultado Teach in -> Punto de Teach 1 de punto de consigna 1» = p. ej. «OK».
 - C. «Resultado Teach-in -> Estado Teach-in» = p. ej. «ESPERANDO COMANDO».
2. Desplace el objeto a la posición para SP1 TP2
 - A. Pulse «Teach SP1 TP2».
 - B. «Resultado Teach in -> Punto de Teach 2 de punto de consigna 1» = p. ej. «OK».
 - C. «Resultado Teach-in -> Estado Teach-in» = p. ej. «SATISFACTORIO».
3. QoT se muestra en «Calidad de Teach» p. ej. 150 %

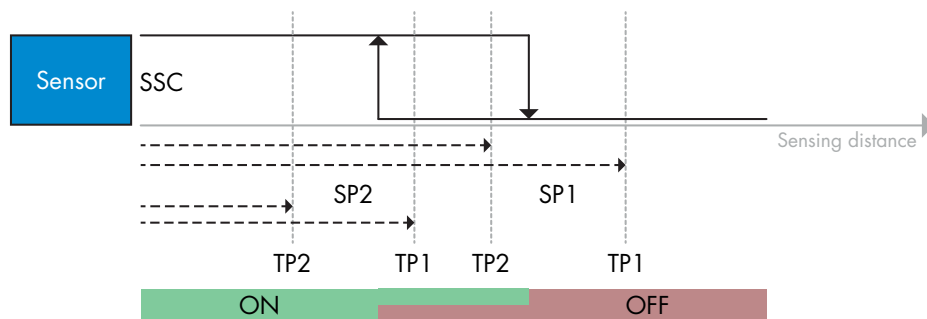


2.6.2.2. Procedimiento de modo de dos puntos

1) Secuencia de comando de Teach de dos valores:

Los botones se encuentran en el menú: «Teach-in de SSC1» o «Teach-in de SSC2» -> «Teach-in dos valores SSC1» o «Teach-in dos valores SSC2»

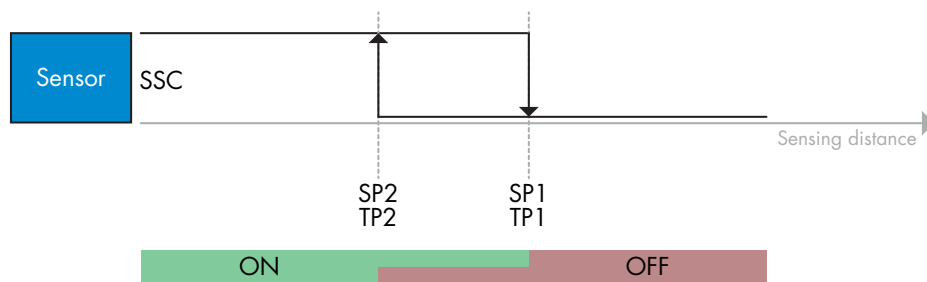
- Desplace el objeto a la posición para SP1 TP1.
 - Pulse «Teach SP1 TP1».
 - «Resultado Teach in -> Punto de Teach 1 de punto de consigna 1» = p. ej. «OK».
 - «Resultado Teach-in -> Estado Teach-in» = p. ej. «ESPERANDO COMANDO».
- Desplace el objeto a la posición para SP1 TP2.
 - Pulse «Teach SP1 TP2».
 - «Resultado Teach in -> Punto de Teach 2 de punto de consigna 1» = p. ej. «OK».
 - «Resultado Teach-in -> Estado Teach-in» = p. ej. «ESPERANDO COMANDO».
- Desplace el objeto a la posición para SP2 TP1.
 - Pulse «Teach SP2 TP1».
 - «Resultado Teach in -> Punto de Teach 1 de punto de consigna 2» = p. ej. «OK».
 - «Resultado Teach-in -> Estado Teach-in» = p. ej. «ESPERANDO COMANDO».
- Desplace el objeto a la posición para SP2 TP2.
 - Pulse «Teach SP2 TP2».
 - «Resultado Teach in -> Punto de Teach 2 de punto de consigna 2» = p. ej. «OK».
 - «Resultado Teach-in -> Estado Teach-in» = p. ej. «ESPERANDO COMANDO».
- Pulse «Aplicar Teach».
 - «Resultado Teach-in -> Estado Teach-in» = p. ej. «Satisfactorio».
- QoT se muestra en «Calidad de Teach» p. ej. 100 %



2) Secuencia de comando de Teach dinámico:

Los botones se encuentran en el menú: «Teach-in dinámico de SSC1» o «Teach-in dinámico de SSC2» -> «Teach-in»

- Desplace el objeto a la posición para SP1.
 - Pulse «Iniciar Teach SP1».
 - «Resultado Teach-in -> Estado Teach-in» = p. ej. «ESPERANDO COMANDO».
 - Pulse «Parar Teach SP1».
 - «Resultado Teach-in -> Estado Teach-in» = p. ej. «ESPERANDO COMANDO».
- Desplace el objeto a la posición para SP2.
 - Pulse «Iniciar Teach SP2».
 - «Resultado Teach-in -> Estado Teach-in» = p. ej. «ESPERANDO COMANDO».
 - Pulse «Parar Teach SP2».
 - «Resultado Teach-in -> Estado Teach-in» = p. ej. «ESPERANDO COMANDO».
- «Resultado Teach-in -> Estado Teach-in» = p. ej. «SATISFACTORIO».
- QoT se muestra en «Calidad de Teach» p. ej. 100 %

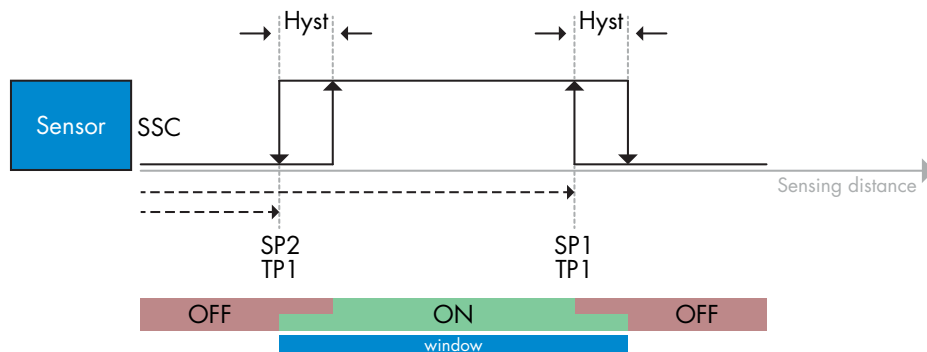


2.6.2.3. Procedimiento de modo de ventana

1) Secuencia de comando de Teach de un solo valor:

Los botones se encuentran en el menú: «Teach-in de SSC1» o «Teach-in de SSC2» -> «Teach-in valor único SSC1» o «Teach-in valor único SSC2»

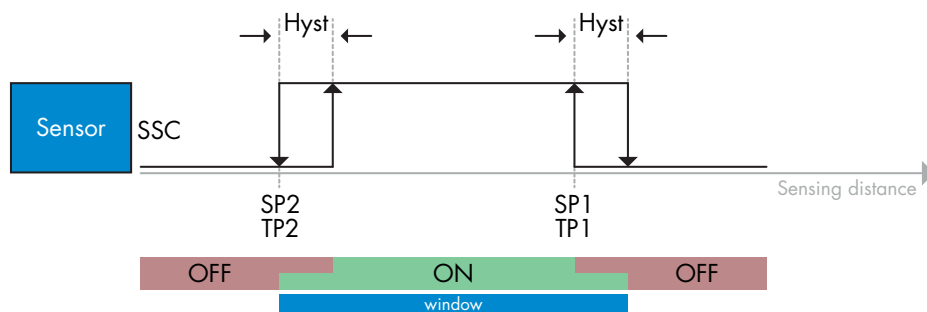
1. Desplace el objeto a la posición para SP1.
 - A. Pulse «Teach SP1».
 - B. «Resultado Teach-in -> Estado Teach-in» = p. ej. «ESPERANDO COMANDO».
2. Desplace el objeto a la posición para SP2.
 - A. Pulse «Teach SP2».
 - B. «Resultado Teach-in -> Estado Teach-in» = p. ej. «SATISFACTORIO».
3. QoT se muestra en «Calidad de Teach» p. ej. 255 %



2) Secuencia de comando de Teach dinámico:

Los botones se encuentran en el menú: «Teach-in de SSC1» o «Teach-in de SSC2» -> «Teach-in dinámico de SSC1» o «Teach-in dinámico de SSC2»

1. Desplace el objeto a la posición para SP1.
 - A. Pulse «Iniciar Teach SP1».
 - B. «Resultado Teach-in -> Estado Teach-in» = p. ej. «ESPERANDO COMANDO».
 - C. Pulse «Parar Teach SP1».
 - D. «Resultado Teach-in -> Estado Teach-in» = p. ej. «ESPERANDO COMANDO».
2. Desplace el objeto a la posición para SP2.
 - A. Pulse «Iniciar Teach SP2».
 - B. «Resultado Teach-in -> Estado Teach-in» = p. ej. «ESPERANDO COMANDO».
 - C. Pulse «Parar Teach SP2».
 - D. «Resultado Teach-in -> Estado Teach-in» = p. ej. «SATISFACTORIO».
3. QoT se muestra en «Calidad de Teach» p. ej. 100 %



2.7. Parámetros de diagnóstico

2.7.1. Horas de funcionamiento

El sensor cuenta con un contador integrado que registra cada hora completa que el sensor ha estado en funcionamiento. La máxima duración de registro se puede leer mediante un SCTL55 o un maestro IO-Link.

2.7.2. Número de ciclos de encendido [ciclos]

El sensor cuenta con un contador integrado que registra cada vez que el sensor se ha encendido. El valor se guarda cada hora. El número real de ciclos de encendido se registra y se puede leer mediante un SCTL55 o un maestro IO-Link.

2.7.3. Temperatura máxima - siempre alta [°C]

El sensor dispone de una función integrada que registra la máxima temperatura a la que ha estado expuesto el sensor durante el tiempo operativo completo. Este parámetro se actualiza cada hora y puede leerse mediante un SCTL55 o un maestro IO-Link.

2.7.4. Temperatura mínima - siempre baja [°C]

El sensor dispone de una función integrada que registra la temperatura mínima a la que ha estado expuesto el sensor durante el tiempo operativo completo. Este parámetro se actualiza cada hora y puede leerse mediante un SCTL55 o un maestro IO-Link.

2.7.5. Temperatura máxima desde último encendido [°C]

Con este parámetro, el usuario puede obtener información sobre cuál ha sido la temperatura máxima registrada desde que se ha encendido el sensor. Este valor no se guarda en el sensor, aunque se puede leer mediante un SCTL55 o un maestro IO-Link.

2.7.6. Temperatura mínima desde último encendido [°C]

Con este parámetro, el usuario puede obtener información sobre cuál ha sido la temperatura mínima registrada desde que se ha encendido el sensor. Este valor no se guarda en el sensor, aunque se puede leer mediante un SCTL55 o un maestro IO-Link.

2.7.7. Temperatura actual [°C]

Con este parámetro, el usuario puede obtener información sobre la temperatura actual del sensor. La temperatura se puede leer mediante un SCTL55 o un maestro IO-Link.

2.7.8. Contador de detección [ciclos]

El sensor registra cada vez que el SSC1 cambia de estado. Este parámetro se actualiza cada hora y puede leerse mediante un SCTL55 o un maestro IO-Link.

2.7.9. Minutos por encima de temperatura máxima [min]

El sensor registra durante cuántos minutos el sensor ha estado funcionando por encima de la temperatura máxima. El número máximo de minutos que pueden registrarse es 2 147 483 647. Este parámetro se actualiza cada hora y puede leerse mediante un SCTL55 o un maestro IO-Link.

2.7.10. Minutos por debajo de temperatura mínima [min]

El sensor registra durante cuántos minutos el sensor ha estado funcionando por debajo de la temperatura mínima. El número máximo de minutos que pueden registrarse es 2 147 483 647. Este parámetro se actualiza cada hora y puede leerse mediante un SCTL55 o un maestro IO-Link.

2.7.11. Contador de descargas

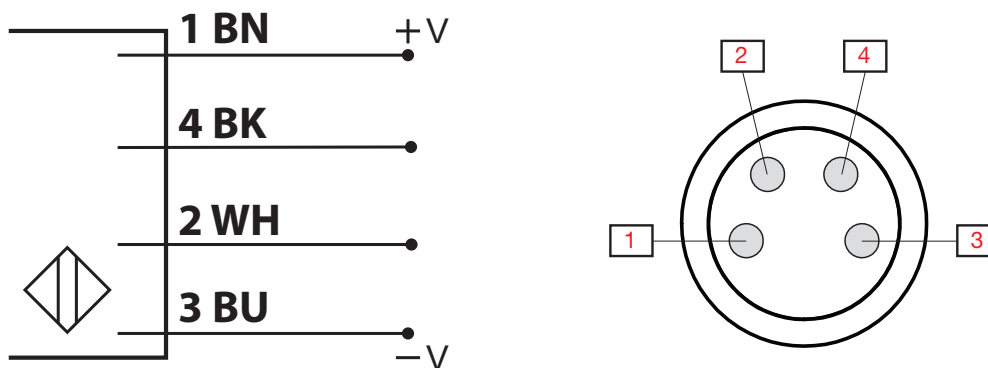
El sensor registra cuántas veces se han cambiado los parámetros. El número máximo de cambios que pueden registrarse son 65 536 cambios. Este parámetro se actualiza cada hora y puede leerse mediante un SCTL55 o un maestro IO-Link.

NOTA

La temperatura medida por el sensor será siempre superior a la temperatura ambiente debido al calentamiento interno.

La diferencia entre la temperatura ambiente y la temperatura interna se ve afectada por cómo está montado el sensor en la aplicación. Si el sensor está montado en un soporte metálico, la diferencia será menor a si está montado en uno de plástico.

3. Diagramas de cableado



POLO	Color	Señal	Descripción
1	Marrón	10 ... 30 VCC	Alimentación del sensor
2	Blanco	Carga	Salida 2 / modo SIO / entrada externa / Teach externo
3	Azul	GND	Tierra
4	Negro	Carga	IO-Link/salida 1/modo SIO

4. Puesta en marcha

150 ms después de encender la fuente de alimentación, el sensor está operativo.

Si el sensor está conectado a un maestro IO-Link, no se requieren ajustes adicionales y la comunicación IO-Link se inicia automáticamente después de que el maestro IO-Link envíe una solicitud de activación al sensor.

5. Funcionamiento

5.1. Interfaz de usuario de PD30ETDx10BPxxIO

Los sensores PD30ETDx10BPxxIO disponen de un LED amarillo y un LED verde.

Modo SIO e IO-Link			
Green LED	Yellow LED	Power	Detection
● ON	● OFF	ON	OFF (estable) SSC1
● OFF	● OFF	ON	OFF (inestable) SSC1 o LED desactivados
● OFF	● ON	ON	ON (inestable) SSC1
● ON	● ON	ON	ON (estable) SSC1
● OFF	● OFF	OFF	Alimentación no conectada
-	● Parpadeo a 10 Hz 50 % de ciclo de trabajo	ON	Cortocircuito en salida
-	● Parpadeo 0,5 ... 20 Hz 50 % de ciclo de trabajo	ON	Indicación de activación de sensor por temporizador
Solo modo SIO			
-	● Parpadeo a 1 Hz ON 100 ms OFF 900 ms	ON	Teach externo por cable. Solo para el modo de un punto
-	● Parpadeo a 1 Hz ON 900 ms OFF 100 ms	ON	Ventana de tiempo de Teach (3 - 6 s)
-	● Parpadeo a 10 Hz ON 50 ms OFF 50 ms Parpadea durante 2 s	ON	Tiempo de espera de Teach (12 s)
-	● Parpadeo a 2 Hz ON 250 ms OFF 250 ms Parpadea durante 2 s	ON	Teach satisfactorio
Solo modo IO-Link			
● Parpadeo a 1 Hz ON 900 ms OFF 100 ms	● OFF	ON	El sensor está en modo IO-Link y SSC1 está estable
● Parpadeo a 1 Hz ON 100 ms OFF 900 ms	● ON	ON	El sensor está en modo IO-Link y SSC1 no está estable
● ● Parpadeo a 2 Hz 50 % de ciclo de trabajo		ON	Encontrar mi sensor

6. Archivo IODD y ajuste de fábrica

6.1. Archivo IODD de un dispositivo IO-Link

Todas las características, parámetros del dispositivo y valores de ajuste del sensor se recopilan en un archivo denominado descripción del dispositivo E/S (archivo IODD). El archivo IODD es necesario para poder establecer la comunicación entre el SCTL55 y el maestro IO-Link y el sensor. Cada proveedor de un dispositivo IO-Link debe proporcionar dicho archivo y ponerlo a disposición para su descarga en el sitio web.

El archivo IODD incluye:

- Datos de proceso y diagnóstico
- Descripción de parámetros con el nombre, el rango permitido, el tipo de datos y la dirección (índice y subíndice)
- Propiedades de comunicación incluido el tiempo mínimo de ciclo del dispositivo
- Identificación del dispositivo, número de artículo, imagen del dispositivo y logotipo del fabricante

El archivo IODD está disponible en el IODD Finder y en el sitio web de Carlo Gavazzi:
<http://gavazziautomation.com>

6.2. Ajustes de fábrica

Los ajustes predeterminados de fábrica se indican en el Anexo 7 bajo los valores predeterminados.

7. Anexo

7.1. Acrónimos

IntegerT	Signed Integer
OctetStringT	Matriz de octetos
PDV	Variable de datos de proceso
R/W	Lectura y escritura
RO	Solo lectura
SO	Salida de conmutación
SP	Punto de consigna
TP	Punto de Teach
SSC	Canal de señal de conmutación
StringT	Cadena de caracteres ASCII
TA	Alarma de temperatura
UIntegerT	Entero sin signo
WO	Solo escritura
SC	Cortocircuito
DA	Alarma de polvo
WDA	Alarma de goteo de agua
AFO1	Función de aplicación salida 1

7.2. Parámetros del dispositivo IO-Link para PD30ETD IO-Link

7.2.1. Parámetros del dispositivo

Nombre del parámetro	Índice dec (hex)	Acceso	Valor predeterminado	Rango de datos	Tipo de datos	Longitud
Nombre de proveedor	16 (0x10)	RO	Carlo Gavazzi	-	StringT	20 bytes
Texto de proveedor	17 (0x11)	RO	www.gavazziautomation.com	-	StringT	34 bytes
Nombre de producto	18 (0x12)	RO	(Nombre del sensor) p. ej., PD30ETD110BPA210	-	StringT	20 bytes
ID de producto	19 (0x13)	RO	(Código EAN del producto) p. ej., 5709870394046	-	StringT	13 bytes
Texto de producto	20 (0x14)	RO	p. ej. Fotocélula, reflexión directa, transmisor de luz roja, 1000 mm, caja de acero inoxidable, IO-Link	-	StringT	30 bytes
Número de serie	21 (0x15)	RO	(Número de serie único) p. ej., 20210315C0001	-	StringT	13 bytes
Revisión de hardware	22 (0x16)	RO	(Revisión de hardware) p. ej., v01.00	-	StringT	6 bytes
Revisión de firmware	23 (0x17)	RO	(Revisión de software) p. ej., v01.00	-	StringT	6 bytes
Etiqueta específica de aplicación	24 (0x18)	R/W	***	Cualquier cadena de hasta 32 caracteres	StringT	Máx. 32 bytes
Etiqueta de función	25 (0x19)	R/W	***	Cualquier cadena de hasta 32 caracteres	StringT	Máx. 32 bytes
Etiqueta de ubicación	26 (0x1A)	R/W	***	Cualquier cadena de hasta 32 caracteres	StringT	Máx. 32 bytes
Entrada de datos de proceso	40 (0x28)	RO	-	-	IntegerT	32 bits

7.2.2. Observación

Nombre del parámetro	Índice dec (hex)	Acceso	Valor predeterminado	Rango de datos	Tipo de datos	Longitud
Configuración de datos de proceso	70 (0x46)	R/W	-	-	-	-
Valor analógico	1 (0x01)	R/W	1 = Normal	0 = Inactivo 1 = Normal 2 = Longitud de objeto 3 = Velocidad de objeto 4 = Valor del contador	RecordT	16 bit
Salida de conmutación 1	2 (0x02)	R/W	1 = Salida de conmutación 1 activa	0 = Salida de conmutación 1 inactiva 1 = Salida de conmutación 1 activa	RecordT	16 bit
Salida de conmutación 2	3 (0x03)	R/W	1 = Salida de conmutación 2 activa	0 = Salida de conmutación 2 inactiva 1 = Salida de conmutación 2 activa	RecordT	16 bit
Canal de señal de conmutación 1	4 (0x04)	R/W	0 = SSC1 inactivo	0 = SSC1 inactivo 1 = SSC1 activo	RecordT	16 bit
Canal de señal de conmutación 2	5 (0x05)	R/W	0 = SSC2 inactivo	0 = SSC2 inactivo 1 = SSC2 activo	RecordT	16 bit
Alarma de polvo 1	6 (0x06)	R/W	0 = DA1 inactivo	0 = DA1 inactivo 1 = DA1 activo	RecordT	16 bit
Alarma de polvo 2	7 (0x07)	R/W	0 = DA2 inactivo	0 = DA2 inactivo 1 = DA2 activo	RecordT	16 bit
Alarma de temperatura	8 (0x08)	R/W	0 = TA inactiva	0 = TA inactiva 1 = TA activa	RecordT	16 bit
Cortocircuito	9 (0x09)	R/W	0 = SC inactivo	0 = SC inactivo 1 = SC activo	RecordT	16 bit
Alarma de goteo de agua 1	10 (0x10)	R/W	0 = WDA1 inactivo	0 = WDA1 inactivo 1 = WDA1 activo	RecordT	16 bit
Alarma de goteo de agua 2	11 (0x11)	R/W	0 = WDA2 inactivo	0 = WDA2 inactivo 1 = WDA2 activo	RecordT	16 bit
Función de aplicación salida 1	12 (0x12)	R/W	0 = AFO1 inactivo	0 = AFO1 inactivo 1 = AFO1 activo	RecordT	16 bit

7.2.3. Parámetros de SSC

Nombre del parámetro	Índice dec (hex)	Acceso	Valor predeterminado	Rango de datos	Tipo de datos	Longitud
Seleccionar Teach -in	58 (0x3A)	RW	1 = Canal de señal de conmutación 1	0 = Canal por defecto 1 = Canal de señal de conmutación 1 2 = Canal de señal de conmutación 2 255 = Todos los SSC	UIntegerT	8 bit
Resultado Teach in	59 (0x3B)	-	-	-	-	-
Estado Teach in	1 (0x01)	RO	0 = Modo de reposo	0 = Modo de reposo 1 = Satisfactorio 4 = Esperando comando 5 = Ocupado 7 = Error	RecordT	8 bit
TP1 (Teach 1) de SP1 (Punto de consigna 1)	2 (0x02)	RO	0 = No OK	0 = No OK 1 = OK	RecordT	8 bit
TP2 (Teach 2) de SP1 (Punto de consigna 1)	3 (0x03)	RO	0 = No OK	0 = No OK 1 = OK	RecordT	8 bit
TP1 (Teach 1) de SP2 (Punto de consigna 2)	4 (0x04)	RO	0 = No OK	0 = No OK 1 = OK	RecordT	8 bit
TP2 (Teach 2) de SP2 (Punto de consigna 2)	5 (0x05)	RO	0 = No OK	0 = No OK 1 = OK	RecordT	8 bit
Parámetro de SSC1 (Canal de señal de conmutación)	60 (0x3C)	-	-	-	-	-
Punto de consigna 1 (SP1)	1 (0x01)	R/W	100	0 ... 13 500	IntegerT	16 bit
Punto de consigna 2 (SP2)	2 (0x02)	R/W	13 500	0 ... 13 500	IntegerT	16 bit
Configuración de SSC1 (Canal de señal de conmutación)	61 (0x3D)	-	-	-	-	-
Lógica de conmutación 1	1 (0x01)	R/W	0 = Alta activa	0 = Alta activa 1 = Baja activa	UIntegerT	8 bit
Modo	2 (0x02)	R/W	1 = Modo de un punto	0 = Desactivado 1 = Modo de un punto 2 = Modo de ventana 3 = Modo de dos puntos	UIntegerT	8 bit
Histéresis	3 (0x03)	R/W	25%	5 ... 99%	UIntegerT	16 bit
Parámetro de SSC2	62 (0x3E)	-	-	-	-	-
Punto de consigna 1 (SP1)	1 (0x01)	R/W	100	0 ... 13 500	IntegerT	16 bit
Punto de consigna 2 (SP2)	2 (0x02)	R/W	13 500	0 ... 13 500	IntegerT	16 bit
Configuración de SSC2	63 (0x3F)	-	-	-	-	-
Lógica de conmutación 2	1 (0x01)	R/W	0 = Alta activa	0 = Alta activa 1 = Baja activa	UIntegerT	8 bit
Modo	2 (0x02)	R/W	0 = Desactivado	0 = Desactivado 1 = Modo de un punto 2 = Modo de ventana 3 = Modo de dos puntos	UIntegerT	8 bit
Histéresis	3 (0x03)	R/W	25%	5 ... 99%	UIntegerT	16 bit

7.2.4. Parámetros de salida

Nombre del parámetro	Índice dec (hex)	Acceso	Valor predeterminado	Rango de datos	Tipo de datos	Longitud
Canal 1 (S01)	64 (0x40)	-	-	-	-	-
Modo de circuito de salida	1 (0x01)	R/W	1 = Salida PNP	0 = Salida deshabilitada 1 = Salida PNP 2 = Salida NPN 3 = Salida push-pull	UIntegerT	8 bit
Selector de entrada 1	2 (0x02)	R/W	1 = SSC 1	0 = Desactivado 1 = SSC 1 2 = SSC 2 3 = Alarma de polvo 1 (DA1) 4 = Alarma de polvo 2 (DA2) 5 = Temperature Alarm (TA) 6 = Entrada lógica externa 7 = Funciones de aplicación	UIntegerT	8 bit
Modo de temporizador	3 (0x03)	R/W	0 = Temporizador deshabilitado	0 = Temporizador deshabilitado 1 = Retardo a la conexión 2 = Retardo a la desconexión 3 = Retardo a conexión/desconexión 4 = Pulso al detectar pieza 5 = Pulso cuando deja de detectar pieza	UIntegerT	8 bit
Escala de temporizador	4 (0x04)	R/W	0 = Milisegundos	0 = Milisegundos 1 = Segundos 2 = Minutos	UIntegerT	8 bit
Valor de temporizador	5 (0x05)	R/W	0	0 ... 32 767	IntegerT	16 bit
Función lógica	7 (0x07)	R/W	0 = Directa	0 = Directa 1 = AND 2 = OR 3 = XOR 4 = Set-reset Flip-Flop	UIntegerT	8 bit
Inversor de salida	8 (0x08)	R/W	0 = No invertida (NA)	0 = No invertida (normalmente abierta) 1 = Invertida (normalmente cerrada)	UIntegerT	8 bit
Canal 2 (S02)	65 (0x41)	-	-	-	-	-
Modo de circuito de salida	1 (0x01)	R/W	1 = Salida PNP	0 = Salida deshabilitada 1 = Salida PNP 2 = Salida NPN 3 = Salida push-pull 4 = Entrada lógica digital (activa alta/descenso) 5 = Entrada lógica digital (activa baja/ascenso) 6 = Teach in (activa alta)	UIntegerT	8 bit
Selector de entrada 2	2 (0x02)	R/W	1 = SSC 1	0 = Desactivado 1 = SSC 1 2 = SSC 2 3 = Alarma de polvo 1 (DA1) 4 = Alarma de polvo 2 (DA2) 5 = Temperature Alarm (TA) 6 = Entrada lógica externa 7 = Funciones de aplicación	UIntegerT	8 bit
Modo de temporizador	3 (0x03)	R/W	0 = Temporizador deshabilitado	0 = Temporizador deshabilitado 1 = Retardo a la conexión 2 = Retardo a la desconexión 3 = Retardo a conexión/desconexión 4 = Pulso al detectar pieza 5 = Pulso cuando deja de detectar pieza	UIntegerT	8 bit
Escala de temporizador	4 (0x04)	R/W	0 = Milisegundos	0 = Milisegundos 1 = Segundos 2 = Minutos	UIntegerT	8 bit
Valor de temporizador	5 (0x05)	R/W	0	0 ... 32 767	IntegerT	16 bit
Función lógica	7 (0x07)	R/W	0 = Directa	0 = Directa 1 = AND 2 = OR 3 = XOR 4 = Set-reset Flip-Flop	UIntegerT	8 bit
Inversor de salida	8 (0x08)	R/W	1 = Invertida (normalmente cerrada)	0 = No invertida (normalmente abierta) 1 = Invertida (normalmente cerrada)	UIntegerT	8 bit

7.2.5. Parámetros ajustables específicos del sensor

Nombre del parámetro	Índice dec (hex)	Acceso	Valor predeterminado	Rango de datos	Tipo de datos	Longitud
Selección de ajuste local/remoto	68 (0x44)	R/W	1 = Entrada de potenciómetro	0 = Deshabilitada 1 = Entrada de potenciómetro 2 = Teach por cable	UIntegerT	8 bit
Valor de potenciómetro SP1	69 (0x45)	RO	70	70 ... 13 500	UIntegerT	16 bit
Ajuste previo de aplicación del sensor	71 (0x47)	R/W	0 = Precisión predeterminada	0 = Precisión predeterminada 1 = Alta precisión 2 = Personalizado (filtro de escala)	UIntegerT	8 bit
Umbral de alarma de temperatura	72 (0x48)	-	-	-	-	-
Umbral superior	1 (0x01)	R/W	70°C	-30 ... 70°C	IntegerT	16 bit
Umbral inferior	2 (0x02)	R/W	- 20°C	-30 ... 70°C	IntegerT	16 bit
Límites seguridad ON/OFF	73 (0x49)	-	-	-	-	-
SSC 1 - Límite seguridad	1 (0x01)	R/W	20%	1 ... 100%	IntegerT	8 bit
SSC 2 - Límite seguridad	2 (0x02)	R/W	20%	1 ... 100%	IntegerT	8 bit
Escalador de filtro	77 (0x4D)	R/W	1	1 ... 255	UIntegerT	8 bit
Indicación LED	78 (0x4E)	R/W	1 = Indicación LED activa	0 = Indicación LED inactiva 1 = Indicación LED activa 2 = Encontrar mi sensor	UIntegerT	8 bit
Modo de histéresis	80 (0x50)	R/W	0 = Ajuste manual de la histéresis	0 = Ajuste manual de la histéresis 1 = Ajuste automático de la histéresis	UIntegerT	8 bit
Valor de histéresis automática SSC1	81 (0x51)	-	-	-	-	-
Valor de histéresis automática SP1	1 (0x01)	RO	-	5 ... 99%	UIntegerT	16 bit
Valor de histéresis automática SP2	2 (0x02)	RO	-	5 ... 99%	UIntegerT	16 bit
Protección contra interferencia mutua	84 (0x54)	R/W	0 = Off	0 = Off 1 = Modo de 1 sensor 2 = 2 sensores - Sensor 1 3 = 2 sensores - Sensor 2 4 = 3 sensores - Sensor 1 5 = 3 sensores - Sensor 2 6 = 3 sensores - Sensor 3	UInteger	8 bit

7.2.6. Auto Adjust

Nombre del parámetro	Índice dec (hex)	Acceso	Valor predeterminado	Rango de datos	Tipo de datos	Longitud
Configuración ajuste automático	85 (0x54)	-	-	-	-	-
Configuración ajuste automático	1 (0x01)	R/W	0 = Ajuste automático inactivo	0 = Ajuste automático inactivo 1 = Ajuste automático activo	UIntegerT	8 bit
Ajustar tamaño de ventana	2 (0x02)	R/W	20%	5 ... 50%	UIntegerT	8 bit
Ajustar resolución	3 (0x03)	R/W	50%	5 ... 100%	UIntegerT	8 bit
Puntos de consigna corregidos	86 (0x56)	-	-	-	-	-
SSC1	4 (0x04)	RO	100	0 ... 13 500	UIntegerT	16 bit
SSC2	5 (0x05)	RO	100	0 ... 13 500	UIntegerT	16 bit

7.2.7. Función de aplicación

Nombre del parámetro	Índice dec (hex)	Acceso	Valor predeterminado	Rango de datos	Tipo de datos	Longitud
Selector de funciones de aplicación	88 (0x58)	RO	0 = No se ha seleccionado ninguna función de aplicación	0 = No se ha seleccionado ninguna función de aplicación 1 = Velocidad y longitud 2 = Detección de patrón 3 = Divisor 4 = Supervisión de objeto y hueco	UIntegerT	8 bit

7.2.7.1. Velocidad y longitud

Nombre del parámetro	Índice dec (hex)	Acceso	Valor predeterminado	Rango de datos	Tipo de datos	Longitud
Configuración	89 (0x59)	-	-	-	-	-
Modo de sensor	1 (0x01)	R/W	0 = No se ha seleccionado ningún rol	0 = No se ha seleccionado ningún rol 1 = Accionar sensor 2 = Sensor principal	UIntegerT	8 bit
Distancia entre sensores	2 (0x02)	R/W	100 mm	25 ... 150 mm	UIntegerT	8 bit
Resultado	90 (0x5A)	-	-	-	-	-
Velocidad de objeto	1 (0x01)	RO	-	0 ... 2 000 mm/sec	UIntegerT	16 bit
Longitud de objeto	2 (0x02)	RO	-	25 ... 60 000 mm	UIntegerT	16 bit
Estado	3 (0x03)	RO	0 = IDLE	0 = IDLE 1 = Medición 2 = Velocidad demasiado alta 3 = Timeout 4 = Objeto demasiado largo 5 = Error lógico	UIntegerT	8 bit

7.2.7.2. Detección de patrón

Nombre del parámetro	Índice dec (hex)	Acceso	Valor predeterminado	Rango de datos	Tipo de datos	Longitud
Ajuste de detección de patrón	91 (0x5B)	-	-	-	-	-
TimeOut	1 (0x01)	R/W	60 sec	1 ... 60 sec	UIntegerT	8 bit
Tolerancia	2 (0x02)	R/W	50 %	1 ... 200 %	UIntegerT	8 bit
Rol del sensor	3 (0x03)	R/W	0 = No se ha seleccionado ningún rol	0 = No se ha seleccionado ningún rol 1 = Accionar sensor 2 = Sensor principal	UIntegerT	8 bit
Detección del patrón, resultado	92 (0x5C)	-	-	-	-	-
Patrón de referencia	1 (0x01)	RO	0 = No guardado	0 = No guardado 1 = Guardado	UIntegerT	8 bit
Número de bordes del patrón de referencia	2 (0x02)	RO	0	0 ... 20	UIntegerT	8 bit
Número de bordes del último patrón	3 (0x03)	RO	0	0 ... 20	UIntegerT	8 bit
Detección del patrón, estado	4 (0x04)	RO	0 = IDLE	0 = IDLE 1 = Medición 2 = Correspondencia con el patrón 3 = Timeout 4 = Demasiados bordes 5 = Error de recuento de bordes 6 = Error de timing de bordes	UIntegerT	8 bit

7.2.7.2. Detección de patrón (cont.)

Nombre del parámetro	Índice dec (hex)	Acceso	Valor predeterminado	Rango de datos	Tipo de datos	Longitud
Menú Observación						
Detección de patrón	97 (0x61)	-	-	-	-	-
Sello de hora 1 ... 20	1 ... 20 (0x01 ... 14)	R/W	0	Fecha y hora para cada evento \[ms]. Respecto al inicio (tiempo 0)	UIntegerT	16 bit
Sello de hora patrón 1 ... 20	21 ... 40 (0x15 ... 28)	R/W	0 = Sin bordes	0 = Sin bordes 1 = Borde positivo 2 = Borde negativo	UIntegerT	8 bit
Duración de detección de objeto	41 (0x29)	R/W	0 ms	0 ... 65 535 ms	UIntegerT	16 bit
Patrón de referencia	42 (0x2A)	R/W	0 = No guardado	0 = No guardado 1 = Guardado	UIntegerT	8 bit
Número de bordes del patrón de referencia	43 (0x2B)	R/W	0	0 ... 20	UIntegerT	8 bit

7.2.7.3. Divisor

Nombre del parámetro	Índice dec (hex)	Acceso	Valor predeterminado	Rango de datos	Tipo de datos	Longitud
Ajuste del contador y del divisor	93 (0x5D)	-	-	-	-	-
Límite del contador	1 (0x01)	R/W	5	1 ... 65 535	UIntegerT	16 bit
Valor de contador preajustado	2 (0x02)	R/W	0	0 ... 65 535	UIntegerT	16 bit
Resultado	94 (0x5E)	-	-	-	-	-
Valor del contador	1 (0x01)	RO	-	0 ... 65 535	UIntegerT	16 bit

7.2.7.4. Supervisión de objeto y hueco

Nombre del parámetro	Índice dec (hex)	Acceso	Valor predeterminado	Rango de datos	Tipo de datos	Longitud
Ajuste de supervisión de objeto y hueco	95 (0x5F)	-	-	-	-	-
Duración mínima de detección de objeto	1 (0x01)	R/W	500 ms	10 ... 60 000 ms	UIntegerT	16 bit
Duración máxima de detección de objeto	2 (0x02)	R/W	10 000 ms	10 ... 60 000 ms	UIntegerT	16 bit
Duración mínima de detección de hueco	3 (0x03)	R/W	500 ms	10 ... 60 000 ms	UIntegerT	16 bit
Duración máxima de detección de hueco	4 (0x04)	R/W	10 000 ms	10 ... 60 000 ms	UIntegerT	16 bit
Resultado de supervisión de objeto y hueco	96 (0x60)	-	-	-	-	-
Duración de detección de objeto	1 (0x01)	RO	0 ms	0 ... 60 000 ms	UIntegerT	16 bit
Duración de detección de hueco	2 (0x02)	RO	0 ms	0 ... 60 000 ms	UIntegerT	16 bit
Estado de objeto	3 (0x03)	RO	0 = IDLE	0 = IDLE 1 = Medición 2 = Dentro del límite 3 = Tiempo demasiado largo 4 = Tiempo demasiado corto	UIntegerT	8 bit
Estado de hueco	4 (0x04)	RO	0 = IDLE	0 = IDLE 1 = Medición 2 = Dentro del límite 3 = Tiempo demasiado largo 4 = Tiempo demasiado corto	UIntegerT	8 bit

7.2.8. Parámetros de diagnóstico

Nombre del parámetro	Índice dec (hex)	Acceso	Valor predeterminado	Rango de datos	Tipo de datos	Longitud
Diagnóstico del sensor						
Error de entrada	209 (0xD1)	RO	0 = OK	0 = OK. 1 = Error.	IntegerT	8 bit
EE_MemoryFailure (durante el encendido)	208 (0xD0)	-	-	-	-	-
Error en la memoria	1 (0x01)	RO	0 = OK	0 = OK. 1 = Error.	IntegerT	8 bit
Diagnóstico de temperatura						
Temperatura máxima - siempre alta	203 (0xCB)	RO	- °C	-50 ... 150 [°C]	IntegerT	16 bits
Temperatura mínima - siempre baja	204 (0xCC)	RO	- °C	-50 ... 150 [°C]	IntegerT	16 bits
Temperatura máxima desde último encendido	205 (0xCD)	RO	- °C	-50 ... 150 [°C]	IntegerT	16 bits
Temperatura mínima desde último encendido	206 (0xCE)	RO	- °C	-50 ... 150 [°C]	IntegerT	16 bits
Temperatura actual	207 (0xCF)	RO	- °C	-50 ... 150 [°C]	IntegerT	16 bits
Minutos por encima de temperatura máxima	211 (0xD3)	RO	0 min	0 ... 2 147 483 647 [min]	IntegerT	32 bits
Minutos por debajo de temperatura mínima	212 (0xD4)	RO	0 min	0 ... 2 147 483 647 [min]	IntegerT	32 bits
Diagnóstico de funcionamiento						
Horas de funcionamiento	201 (0xC9)	RO	0 h	0 ... 2 147 483 647 [h]	IntegerT	32 bits
Número de ciclos de encendido	202 (0xCA)	RO	0	0 ... 2 147 483 647	IntegerT	32 bits
Contador de detección SSC1	210 (0xD2)	RO	0	0 ... 2 147 483 647	IntegerT	32 bits
Contador de evento de mantenimiento	213 (0xD5)	RO	0	0 ... 2 147 483 647	IntegerT	32 bit
Contador de descargas	214 (0xD6)	RO	0	0 ... 65 536	UIntegerT	16 bits
Calidad de Teach	75 (0x4B)	RO	-	0 ... 255	UIntegerT	8 bits
Calidad de funcionamiento	76 (0x4C)	RO	-	0 ... 255	UIntegerT	8 bits
Nivel de señal	83 (0x53)	RO	-	1 ... 255%	UIntegerT	8 bit
Recuento de errores	32 (0x20)	RO	0	0 ... 65 535	IntegerT	16 bits
Estado de dispositivo	36 (0x24)	RO	0 = El dispositivo funciona correctamente	0 = El dispositivo funciona correctamente 1 = Se requiere mantenimiento 2 = Fuera de especificación 3 = Comprobación funcional 4 = Fallo	UIntegerT	8 bits
Estado de dispositivo detallado	37 (0x25)	-	-	-	-	-
Error de temperatura	-	RO	-	-	OctetStringT	3 bytes
Temperatura excesiva	-	RO	-	-	OctetStringT	3 bytes
Temperatura insuficiente	-	RO	-	-	OctetStringT	3 bytes
Cortocircuito	-	RO	-	-	OctetStringT	3 bytes
Mantenimiento requerido	-	RO	-	-	OctetStringT	3 bytes
Configuración de eventos						
Configuración de eventos	74 (0x4A)	-	-	-	-	-
Evento de mantenimiento (0x8C30)	1 (0x01)	R/W	0 = Evento de mantenimiento Inactivo	0 = Evento de mantenimiento Inactivo 1 = Maintenance event Active	RecordT	16 bit
Evento de fallo de temperatura (0x4000)	2 (0x02)	R/W	0 = Evento de fallo de temperatura Inactivo	0 = Evento de fallo de temperatura Inactivo 1 = Evento de fallo de temperatura Activo	RecordT	16 bit
Evento de temperatura excesiva (0x4210)	3 (0x03)	R/W	0 = Evento de temperatura excesiva Inactivo	0 = Evento de temperatura excesiva Inactivo 1 = Evento de temperatura excesiva Activo	RecordT	16 bit
Evento baja temperatura (0x4220)	4 (0x04)	R/W	0 = Evento baja temperatura Inactiva	0 = Evento baja temperatura Inactiva 1 = Evento baja temperatura Activa	RecordT	16 bit
Evento de cortocircuito (0x7710)	5 (0x05)	R/W	0 = Evento de cortocircuito Inactivo	0 = Evento de cortocircuito Inactivo 1 = Evento de cortocircuito Activo	RecordT	16 bit



Sensore fotoelettrico IO-Link

PD30ETDx10BPxxIO

Instruction manual

Betriebsanleitung

Manuel d'instructions

Manual de instrucciones

Manuale d'istruzione

Brugervejledning

使用手册

Carlo Gavazzi Industri Over Hadstenvej 40, 8370 Hadsten, Danimarca

1. Introduzione	173
1.1. Descrizione	173
1.2. Validità della documentazione	173
1.3. Destinatari della documentazione	173
1.4. Utilizzo del prodotto	173
1.5. Precauzioni di sicurezza	173
1.7. Acronimi	174
2. Prodotto	175
2.1. Caratteristiche principali	175
2.2. Codice identificativo	175
2.3. Modalità di funzionamento	176
2.3.1. Modalità SIO	176
2.3.2. Modalità IO-Link	176
2.3.3. Dati di processo	177
2.4. Parametri di uscita	178
2.4.1. Parte anteriore del sensore	179
2.4.1.1. Canale del segnale di commutazione (SSC, Switching Signal Channel)	179
2.4.1.2. Modalità del punto di commutazione:	179
2.4.1.3. Impostazioni dell'isteresi	180
2.4.1.4. Allarme polvere 1 e Allarme polvere 2	180
2.4.1.5. Allarme goccia d'acqua 1 e Allarme goccia d'acqua 2	180
2.4.1.6. Allarme di temperatura (TA)	180
2.4.1.7. Ingresso esterno	181
2.4.2. Regolazione automatica	181
2.4.3. Selettore di ingresso	181
2.4.4. Blocco funzioni logiche	181
2.4.5. Timer (impostabile singolarmente per Out1 e Out2)	183
2.4.5.1. Modalità del timer	183
2.4.5.1.1. <i>Disabilitato</i>	183
2.4.5.1.2. <i>Ritardo all'attivazione (T-on)</i>	183
2.4.5.1.3. <i>Ritardo alla disattivazione (T-off)</i>	183
2.4.5.1.4. <i>Ritardo all'attivazione e alla disattivazione (T-on e T-off)</i>	184
2.4.5.1.5. <i>One shot bordo di entrata</i>	184
2.4.5.1.6. <i>One shot bordo di uscita</i>	184
2.4.5.2. Scala del timer	184
2.4.5.3. Valore del timer	185
2.4.6. Invertitore di uscita	185
2.4.7. Modalità stadio di uscita	185
2.4.8. Funzioni applicative	186
2.4.8.1. Velocità e lunghezza	186
2.4.8.1.1. <i>Condizioni</i>	186
2.4.8.1.2. <i>Velocità e lunghezza: procedura di impostazione</i>	186
2.4.8.2. Riconoscimento pattern	187
2.4.8.2.1. <i>Condizioni</i>	187
2.4.8.2.2. <i>Riconoscimento pattern: procedura di impostazione</i>	187
2.4.8.3. Funzione divisore	189
2.4.8.3.1. <i>Condizioni</i>	189
2.4.8.3.2. <i>Funzione divisore – Procedura di impostazione</i>	189
2.4.8.4. Monitoraggio di oggetti e spazio libero	190
2.4.8.4.1. <i>Condizioni</i>	190
2.4.8.4.2. <i>Monitoraggio di oggetti e spazio libero - Procedura di impostazione</i>	190
2.5. Parametri regolabili specifici del sensore	191
2.5.1. Selezione della regolazione locale o in remoto	191
2.5.2. Dati del potenziometro	191
2.5.3. Configurazione dei dati di processo	191
2.5.4. Selezione della misurazione sensore	192
2.5.5. Soglia di allarme temperatura	192
2.5.6. Limiti di sicurezza	192
2.5.6.1. Stable ON	192

2.5.6.2. Stable OFF	192
2.5.7. Configurazione degli eventi	192
2.5.8. Qualità di esecuzione (QoR)	193
2.5.9. Qualità di Teach (QoT)	193
2.5.10. Riserva funzionale	194
2.5.11. Scala del filtro	194
2.5.12. Interferenze reciproche	194
2.5.13. Indicatore a LED	194
2.5.14. Modalità isteresi	194
2.5.15. Valore dell'isteresi automatica	194
2.6. Procedura di apprendimento tramite SCTL55 o master IO-Link	195
2.6.1. Teach esterno (Teach via cavo)	195
2.6.2. Teach mediante master IO-Link o Smart Configurator (SCTL55)	195
2.6.2.1. Procedura con modalità a punto singolo	195
2.6.2.2. Procedura con modalità a punto doppio	197
2.6.2.3. Procedura con modalità finestra	198
2.7. Parametri diagnostici	200
2.7.1. Ore di funzionamento	200
2.7.2. Numero di accensioni [cicli]	200
2.7.3. Temperatura massima assoluta [°C]	200
2.7.4. Temperatura minima assoluta [°C]	200
2.7.5. Temperatura massima dall'ultima accensione [°C]	200
2.7.6. Temperatura minima dall'ultima accensione [°C]	200
2.7.7. Temperatura attuale [°C]	200
2.7.8. Contatore di rilevamento [cicli]	200
2.7.9. Minuti oltre la temperatura massima [min]	200
2.7.10. Minuti al di sotto della temperatura minima [min]	200
2.7.11. Contatore dei download	200
3. Schemi di cablaggio	201
4. Messa in funzione	201
5. Funzionamento	202
5.1. Interfaccia utente di PD30ETDx10BPxxIO	202
6. File IODD e impostazione di fabbrica	203
6.1. File IODD di un dispositivo IO-Link	203
6.2. Impostazioni di fabbrica	203
7. Appendice	203
7.1. Acronimi	203
7.2. Parametri dispositivo IO-Link per PD30ETD IO-Link	204
7.2.1. Parametri dispositivo	204
7.2.2. Osservazione	204
7.2.3. Parametri SSC	205
7.2.4. Parametri di uscita	206
7.2.5. Parametri regolabili specifici del sensore	207
7.2.6. Regolazione automatica	207
7.2.7. Funzioni applicazione	208
7.2.7.1. Velocità e lunghezza	208
7.2.7.2. Riconoscimento pattern	208
7.2.7.3. Divisore	209
7.2.7.4. Monitoraggio di oggetti e spazio libero	209
7.2.8. Parametri diagnostici	210
Riserva funzionale	291
Dimensioni	291
Diagramma di rilevamento	292
Consigli per l'installazione	293

1. Introduzione

Questo manuale è una guida di riferimento per i sensori fotoelettrici IO-Link PD30ETDx10BPxxIO di Carlo Gavazzi. Descrive come installare, configurare e utilizzare il prodotto per l'uso previsto.

1.1. Descrizione

I sensori fotoelettrici Carlo Gavazzi sono dispositivi progettati e realizzati in conformità con le norme internazionali IEC e sono soggetti alle direttive CE sulla Bassa Tensione (2014/35/UE) e sulla Compatibilità Elettromagnetica (2014/30/UE).

Tutti i diritti per il presente documento sono riservati a Carlo Gavazzi Industri, e se ne possono fare copie solo per uso interno.

Non esitate a fornire suggerimenti per migliorare questo documento.

1.2. Validità della documentazione

Questo manuale è valido solo per i sensori fotoelettrici PD30ETDx10BPxxIO con IO-Link e fino alla pubblicazione di una nuova documentazione.

Questo manuale di istruzioni descrive la funzione, il funzionamento e l'installazione del prodotto per l'uso previsto.

1.3. Destinatari della documentazione

Questo manuale contiene informazioni importanti in merito all'installazione e deve essere letto e compreso in ogni sua parte dal personale specializzato che lavora con questi sensori fotoelettrici.

Si consiglia vivamente di leggere attentamente il manuale prima di installare il sensore. Conservare il manuale

1.4. Utilizzo del prodotto

Questi sensori fotoelettrici a riflessione diffusa sono progettati come sensori energetici. Pertanto, quando un livello sufficiente della luce emessa viene ricevuto dal ricevitore, il sensore reagisce e commuta le uscite.

Il livello di segnale ricevuto può essere letto tramite i dati di processo nella modalità IO-Link.

I sensori PD30ETDx10BPxxIO possono essere impiegati con o senza comunicazione IO-Link.

Utilizzando un SCTL55 o un master IO-Link è possibile utilizzare e configurare questi dispositivi.

1.5. Precauzioni di sicurezza

Non utilizzare questo sensore in applicazioni in cui la sicurezza personale dipende dal corretto funzionamento del sensore (il sensore non è progettato secondo la Direttiva Macchine UE).

L'installazione e l'utilizzo devono avvenire a cura di personale tecnico qualificato con conoscenze di base sulle installazioni elettriche.

L'installatore è responsabile della corretta installazione secondo le normative locali sulla sicurezza e deve assicurarsi che un sensore difettoso non comporti alcun rischio per persone o apparecchiature. Sostituire il sensore se difettoso e assicurarsi che non ne sia possibile l'uso non autorizzato.

1.6. Altri documenti

È possibile trovare la scheda tecnica, il file IODD e il manuale dei parametri IO-Link su Internet all'indirizzo <http://gavazziautomation.com>

1.7. Acronimi

I/O	Ingresso/uscita
PD	Dati di processo
PLC	Controller logico programmabile
SIO	Ingresso/uscita standard
SP	Setpoint (valori di riferimento)
IODD	Descrizione dispositivo I/O
IEC	International Electrotechnical Commission (Commissione Elettrotecnica Internazionale)
NO	Contatto normalmente aperto
NC	Contatto normalmente chiuso
NPN	Pilotare il carico a terra
PNP	Pilotare il carico su V+
Push-Pull	Pilotare il carico a terra o su V+
QoR	Quality of Run (Qualità di esecuzione)
QoT	Quality of Teach (Qualità di Teach)
UART	Universal Asynchronous Receiver-Transmitter (Ricevitore-trasmettitore asincrono universale)
SO	Uscita di commutazione
SSC	Canale del segnale di commutazione
DA	Allarme polvere
WDA	Allarme goccia d'acqua
AFO	Funzioni applicazione Uscita
TA	Allarme di temperatura

2. Prodotto

2.1. Caratteristiche principali

I sensori fotoelettrici a riflessione diffusa IO-Link a 4 fili DC di Carlo Gavazzi, costruiti secondo i più alti standard di qualità, sono disponibili con custodia in acciaio inox AISI316L per condizioni ambientali gravose. Dotati di certificazioni IP69K ed ECOLAB.

Possono operare in modalità I/O standard (SIO), che è la modalità di funzionamento predefinita.

Quando collegati a un SCTL55 o a un master IO-Link, passano automaticamente alla modalità IO-Link e possono essere gestiti e configurati facilmente in remoto.

Grazie alla loro interfaccia IO-Link, questi dispositivi sono molto più intelligenti e dispongono di molte opzioni di configurazione aggiuntive, come l'impostazione della distanza di rilevamento e dell'isteresi, nonché di funzioni temporizzate dell'uscita.

Funzionalità avanzate come il blocco funzioni logiche e la possibilità di convertire un'uscita in un ingresso esterno rendono il sensore altamente flessibile.

Le funzioni applicative come il riconoscimento pattern, il monitoraggio della velocità e della lunghezza, la funzione divisore e il rilevamento di oggetti e spazi liberi sono funzioni decentralizzate progettate per risolvere operazioni di rilevamento specifiche.

2.2. Codice identificativo

Codice	Opzione	Descrizione
P	-	Sensore fotoelettrico
D	-	Custodia rettangolare
30	-	Dimensioni della custodia
E	-	Custodia in acciaio inox - AISI316L
T	-	Potenzimetro sulla parte superiore
D	-	Riflessione diffusa
<input type="checkbox"/>	I	Luce infrarossa
	R	Luce rossa
10	-	Distanza di rilevamento 1 000 mm
B	-	Funzioni selezionabili: NPN, PNP, Push-Pull, ingresso esterno (solo pin 2), ingresso Teach esterno (solo pin 2)
P	-	Selezionabile: NO o NC
<input type="checkbox"/>	A2	Cavo in PVC da 2 metri
	M5	Connettore M8, 4 poli
IO	-	Versione IO-Link

Si possono utilizzare caratteri aggiuntivi per versioni personalizzate.

2.3. Modalità di funzionamento

I sensori fotoelettrici IO-Link sono dotati di due uscite di commutazione (SO) e possono funzionare in due modalità diverse: modalità SIO (modalità I/O standard) o modalità IO-Link (pin 4).

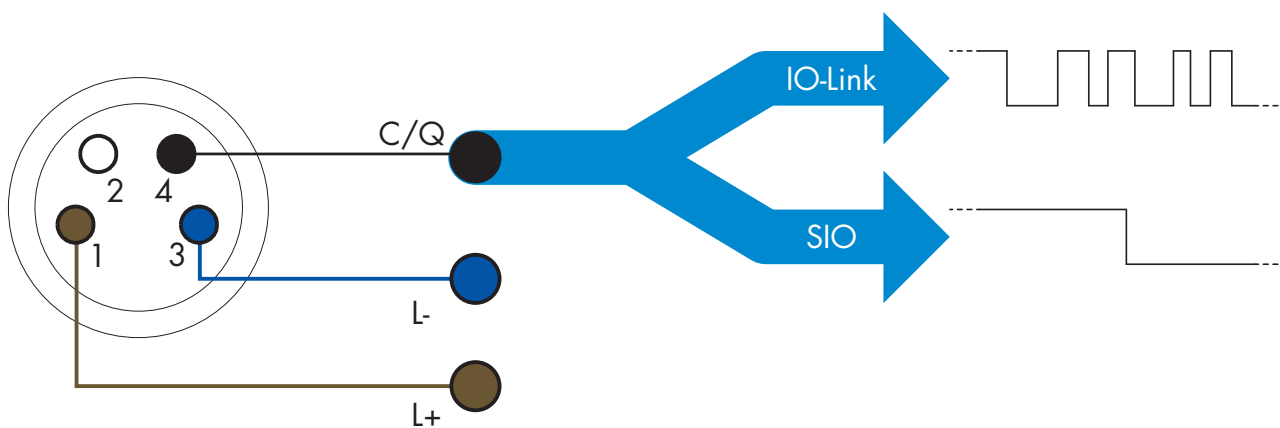
2.3.1. Modalità SIO

Quando il sensore funziona in modalità SIO (impostazione predefinita), non è necessario un SCTL55 o un master IO-Link. Il dispositivo funziona come un sensore fotoelettrico standard e può essere comandato tramite un dispositivo fieldbus o un controller (ad esempio un PLC) quando è collegato ai suoi ingressi digitali PNP, NPN o push-pull (porta I/O standard). Uno dei maggiori vantaggi di questi sensori fotoelettrici è la possibilità di configurarli tramite un SCTL55 o un master IO-Link; quindi, una volta scollegati, manterranno gli ultimi parametri e le impostazioni di configurazione. In questo modo è possibile ad esempio configurare le uscite del sensore individualmente come PNP, NPN o push-pull, oppure aggiungere funzioni di temporizzazione come ritardi T-on e T-off o funzioni logiche e quindi soddisfare molteplici requisiti applicativi con lo stesso sensore.

2.3.2. Modalità IO-Link

IO-Link è una tecnologia IO standardizzata riconosciuta in tutto il mondo come standard internazionale (IEC 61131-9). Oggi è considerata come "l'interfaccia USB" per sensori e attuatori in ambiente di automazione industriale. Quando il sensore è collegato a una porta IO-Link, il SCTL55 o il master IO-Link invia una richiesta di sveglia (impulso di sveglia) al sensore, che passa automaticamente alla modalità IO-Link: si avvia quindi la comunicazione bidirezionale point-to-point tra master e sensore.

La comunicazione IO-Link richiede solo un cavo standard non schermato a 3 fili con una lunghezza massima di 20 m.



La comunicazione IO-Link avviene con una modulazione degli impulsi a 24 V, protocollo UART standard tramite il cavo di commutazione e comunicazione (stato di commutazione combinato e canale dati C/Q) a 4 pin o cavo nero.

Per esempio un connettore maschio M8 a 4 pin ha:

- Alimentazione positiva: pin 1, marrone
- Alimentazione negativa: pin 3, blu
- Uscita digitale 1: pin 4, nero
- Uscita digitale 2: pin 2, bianco

La velocità di trasmissione dei sensori PD30ETDx10BPxxIO è 38,4 kBaud (COM2).

Una volta collegato alla porta IO-Link, il master ha accesso remoto a tutti i parametri del sensore e alle funzionalità avanzate, consentendo di modificare le impostazioni e la configurazione durante il funzionamento e abilitando funzioni diagnostiche, quali avvisi di temperatura, allarmi di temperatura e dati di processo.

Grazie a IO-Link è possibile visualizzare le informazioni del produttore e il codice (dati di servizio) del dispositivo collegato, a partire da V1.1. Grazie alla funzione di archiviazione dei dati è possibile sostituire il dispositivo

e disporre automaticamente di tutte le informazioni memorizzate nel vecchio dispositivo trasferite nell'unità sostitutiva.

L'accesso ai parametri interni consente all'utilizzatore di vedere la prestazione in corso del sensore, per esempio leggendo la temperatura interna.

Dati evento consente all'utilizzatore di ottenere informazioni diagnostiche come errori, allarmi, avvisi o problemi di comunicazione.

Tra il sensore e il master esistono due diversi tipi di comunicazione indipendenti l'uno dall'altro:

- Ciclica per dati di processo e stato del valore – questi dati vengono scambiati ciclicamente.
- Aciclica per configurazione dei parametri, dati di identificazione, informazioni diagnostiche ed eventi (p. es. messaggi di errore o avvisi) – questi dati possono essere scambiati su richiesta.

2.3.3. Dati di processo

Per impostazione predefinita, i dati di processo mostrano i seguenti parametri come attivi: valore analogico 16 bit, uscita di commutazione 1 (SO1) e uscita di commutazione 2 (SO2).

I seguenti parametri sono impostati come inattivi: SSC1, SSC2, TA, SC, DA1, DA2, AFO1, WDA1, WDA2.

Modificando tuttavia il parametro di configurazione dei dati di processo l'utilizzatore può decidere di abilitare anche lo stato dei parametri inattivi. In questo modo è possibile osservare diverse situazioni del sensore allo stesso tempo.

I dati di processo possono essere configurati. Vedere 2.5.3. Configurazione dei dati di processo.

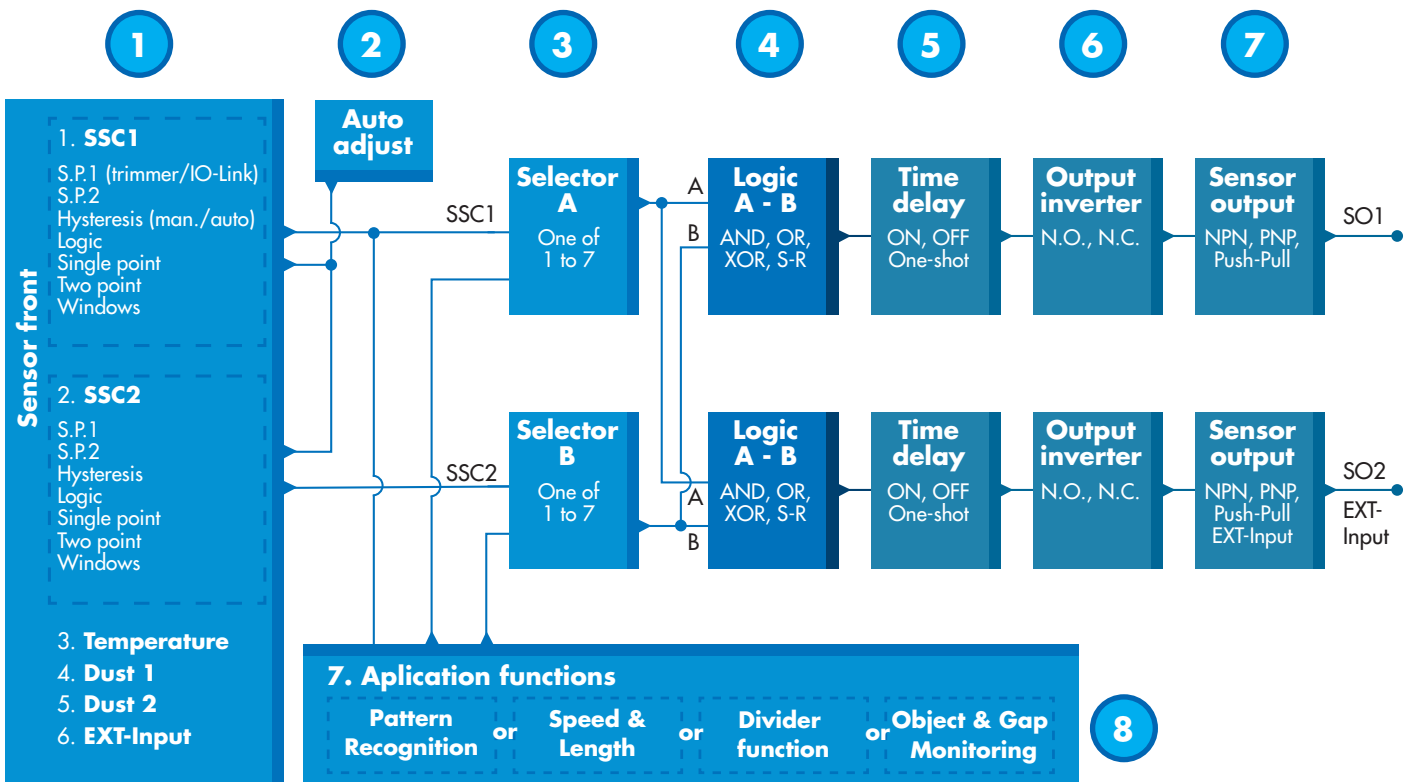
Byte 0	31	30	29	28	27	26	25	24
	MSB							
Byte 1	23	22	21	20	19	18	17	16
								LSB
Byte 2	15	14	13	12	11	10	9	8
			SC	TA	DA2	DA1	SSC2	SSC1
Byte 3	7	6	5	4	3	2	1	0
	AFO1				WDA2	WDA1	SO2	SO1

4 byte

Valore analogico 16 ... 31 (16 bit)

2.4. Parametri di uscita

Si possono selezionare sette funzioni di rilevamento e 4 funzioni applicative. Questi valori possono essere regolati indipendentemente e utilizzati come fonte per l'uscita di commutazione 1 o 2. In aggiunta a questi è possibile selezionare un ingresso esterno per SO2. Dopo aver selezionato una di queste fonti, è possibile configurare l'uscita del sensore con un SCTL55 o un master IO-Link seguendo i sette passaggi mostrati nella seguente impostazione dell'uscita di commutazione. Una volta che il sensore sia stato scollegato dal master, passerà alla modalità SIO mantenendo l'ultima impostazione di configurazione.



1

2.4.1. Parte anteriore del sensore

Il sensore a riflessione diffusa emette luce verso un bersaglio e misura il livello di luce riflessa dal bersaglio. Quando l'energia del livello di luce ricevuta supera un livello predefinito, il sensore commuta l'uscita. La distanza di rilevamento dipende dal colore, dalla forma e dalla struttura del bersaglio.

2.4.1.1. Canale del segnale di commutazione (SSC, Switching Signal Channel)

Per il rilevamento di presenza (o assenza di presenza) di un oggetto davanti alla faccia del sensore sono disponibili le seguenti impostazioni: SSC1 o SSC2. I setpoint possono essere impostati da 100 ... 1 000 [mm]*.

*Non è consigliabile utilizzare impostazioni superiori ad un massimo di 1 000 mm, salvo eventualmente in condizioni ottimali (superficie dell'oggetto, luce ambientale, ambiente circostante, interferenze elettromagnetiche, ecc.).

2.4.1.2. Modalità del punto di commutazione:

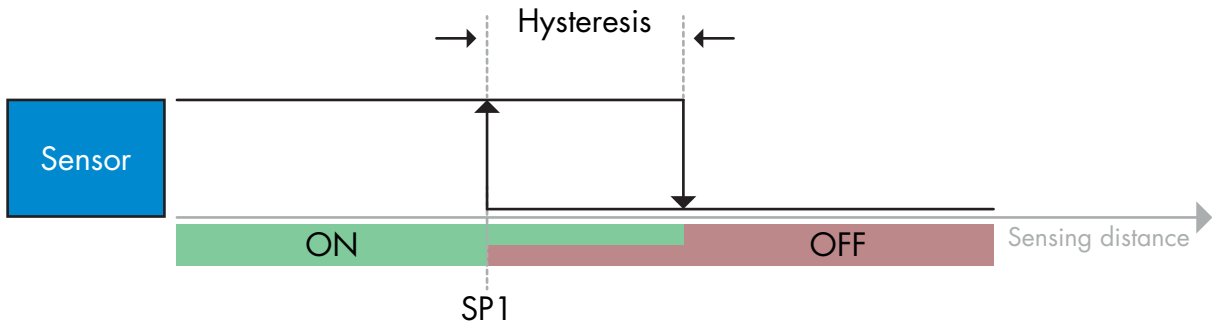
Ogni canale SSC può essere impostato per funzionare in 3 modalità o essere disabilitato. L'impostazione della modalità del punto di commutazione può essere utilizzata per creare un comportamento di uscita più avanzato. Le seguenti modalità del punto di commutazione possono essere selezionate per il comportamento di commutazione di SSC1 e SSC2.

Disabilitato

SSC1 e SSC2 possono essere disabilitati individualmente.

Modalità a punto singolo

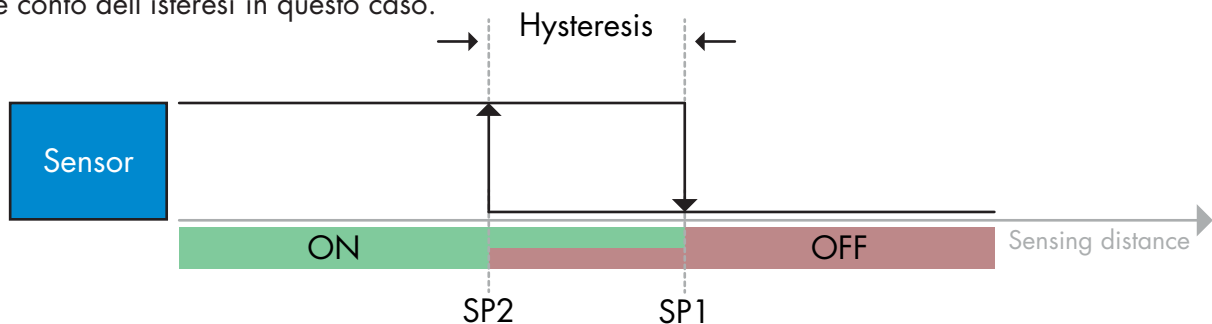
Le informazioni di commutazione cambiano quando il valore di misurazione supera la soglia definita nel setpoint SP1 con valori di misurazione in aumento o in diminuzione, prendendo in considerazione l'isteresi.



Esempio di rilevamento di presenza – con logica non invertita

Modalità a punto doppio

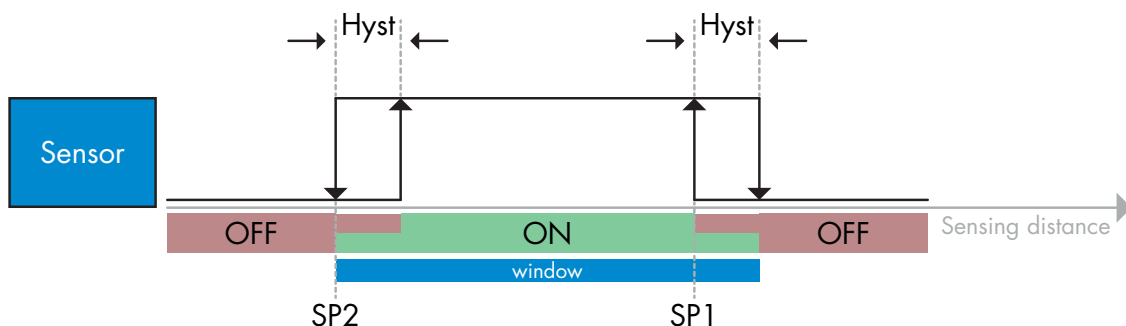
Le informazioni di commutazione cambiano quando il valore di misurazione supera la soglia definita nel setpoint SP1. Questo cambiamento si verifica solo con i valori di misurazione in aumento. Le informazioni di commutazione cambiano anche quando il valore di misurazione supera la soglia definita nel setpoint SP2. Questo cambiamento si verifica solo con i valori di misurazione in diminuzione. Non si tiene conto dell'isteresi in questo caso.



Esempio di rilevamento di presenza – con logica non invertita

Modalità finestra

Le informazioni di commutazione cambiano quando il valore di misurazione supera le soglie definite nel setpoint SP1 e nel setpoint SP2 con valori di misurazione in aumento o in diminuzione, prendendo in considerazione l'isteresi.



Esempio di rilevamento di presenza – con logica non invertita

2.4.1.3. Impostazioni dell'isteresi

L'isteresi può essere impostata automaticamente o manualmente per SSC1 e solo manualmente per SSC2. L'isteresi è impostata come percentuale del valore impostato scelto per SP1 e SP2.

Nota: quando è selezionato il potenziometro, l'isteresi predefinita è Automatica.

Isteresi automatica:

L'isteresi automatica garantisce un funzionamento stabile per la maggior parte delle applicazioni.

L'isteresi è calcolata con riferimento a SP1/SP2, e i valori reali possono essere letti tramite il parametro "Isteresi automatica SSC1", che corrisponde tipicamente al 25% del valore impostato per SP1 e SP2.

Isteresi manuale:

Quando si seleziona l'isteresi manuale, l'isteresi può essere impostata su un valore compreso tra il 5% e il 99%.

Per applicazioni che richiedono un'isteresi diversa da quella automatica, l'isteresi può essere configurata manualmente.

Questa caratteristica rende il sensore più versatile.

Nota: è necessario prestare particolare attenzione all'applicazione quando si sceglie un'isteresi inferiore all'isteresi automatica.

2.4.1.4. Allarme polvere 1 e Allarme polvere 2

Il limite di sicurezza può essere impostato individualmente. È definito come la distanza tra il punto di commutazione dell'uscita di rilevamento e il valore al quale il sensore rileva in modo sicuro anche con un leggero accumulo di polvere.

Vedere 2.6.6. Limiti di sicurezza.

2.4.1.5. Allarme goccia d'acqua 1 e Allarme goccia d'acqua 2

Il limite di sicurezza può essere impostato individualmente. È definito come la distanza tra il punto di commutazione dell'uscita di rilevamento e il valore al quale il sensore rileva in modo sicuro anche con un leggero accumulo di gocce d'acqua.

Vedere 2.6.6. Limiti di sicurezza.

2.4.1.6. Allarme di temperatura (TA)

Il sensore controlla costantemente la temperatura interna. Impostando l'allarme di temperatura, si può ricevere un allarme dal sensore se vengono superate le soglie di temperatura. Vedere 2.5.5.

Si possono specificare due impostazioni di allarme di temperatura indipendenti:

Uno per l'allarme di temperatura massima e uno per l'allarme di temperatura minima.

È possibile leggere la temperatura del sensore tramite i dati aciclici dei parametri IO-Link.

NOTA!

La temperatura misurata dal sensore sarà sempre superiore alla temperatura ambiente a causa del riscaldamento interno.

La differenza tra temperatura ambiente e temperatura interna è influenzata dal modo in cui il sensore viene installato nell'applicazione.

2.4.1.7. Ingresso esterno

L'uscita 2 (SO2) si può configurare come un ingresso esterno che consente l'ingresso di segnali esterni nel sensore e che potrà provenire da un secondo sensore o da un PLC o direttamente dall'uscita della macchina.

2

2.4.2. Regolazione automatica

La funzione di regolazione automatica può essere abilitata per compensare l'accumulo di polvere o gocce d'acqua. Sulla base di un setpoint preimpostato dal potenziometro, con i parametri IO-Link SSC1_SP1 / SSC2_SP1 o tramite Teach, il sensore monitora continuamente i segnali ricevuti dal bersaglio e dallo sfondo, e regola il setpoint verso l'alto o verso il basso se non è possibile raggiungere uno stato Stable ON o Stable OFF. L'allarme polvere si attiva se la regolazione automatica ha raggiunto la sensibilità massima ed è necessaria la pulizia.

L'allarme goccia d'acqua si attiva se la regolazione automatica ha raggiunto la sensibilità minima ed è necessaria la pulizia.

3

2.4.3. Selettore di ingresso

Questo blocco funzioni consente all'utilizzatore di selezionare uno qualsiasi dei segnali dalla "parte anteriore del sensore" per il canale A o B.

Canale A e B: si può selezionare tra SSC1, SSC2, Allarme polvere 1, Allarme polvere 2, Allarme goccia d'acqua 1, Allarme goccia d'acqua 2, Allarme di temperatura e Ingresso esterno.

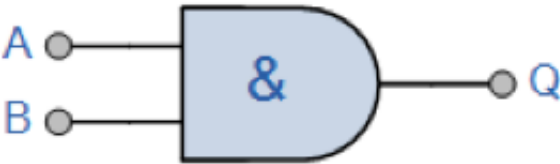
4

2.4.4. Blocco funzioni logiche

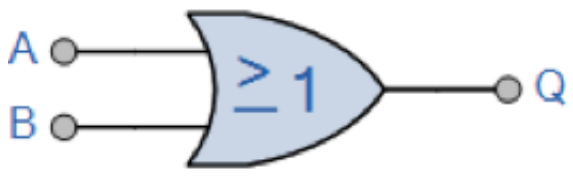
Nel blocco funzioni logiche ai segnali selezionati dal selettore di ingresso può essere aggiunta direttamente una funzione logica senza utilizzare un PLC, rendendo quindi possibili delle decisioni decentrate.

Le funzioni logiche disponibili sono: AND, OR, XOR, SR-FF.

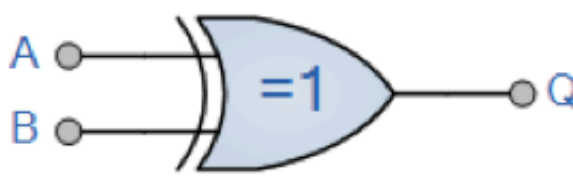
Funzione AND

Simbolo	Tabella della verità		
 <p>Porta AND - 2 ingressi</p>	A	B	Q
	0	0	0
	0	1	0
	1	0	0
	1	1	1
Espressione booleana Q = A.B	Leggi come A AND B dà Q		

Funzione OR

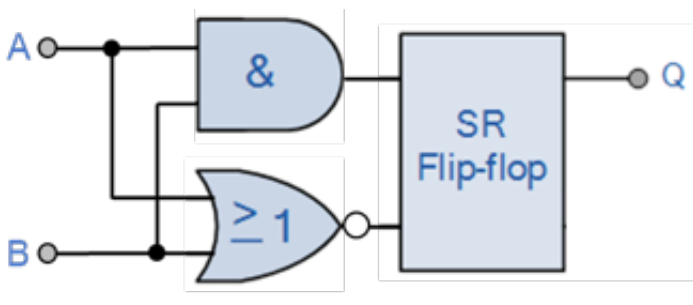
Simbolo	Tabella della verità		
 <p>Porta OR - 2 ingressi</p>	A	B	Q
	0	0	0
	0	1	1
	1	0	1
	1	1	1
Espressione booleana Q = A + B	Leggi come A OR B dà Q		

Funzione XOR

Simbolo	Tabella della verità		
 <p>Porta XOR - 2 ingressi</p>	A	B	Q
	0	0	0
	0	1	1
	1	0	1
	1	1	0
Espressione booleana Q = A ⊕ B	A OR B ma NON ENTRAMBI dà Q		

Funzione "Gated SR-FF"

La funzione è progettata, ad esempio, come segnale di avvio o di arresto per un nastro trasportatore dipendente dallo stato di riempimento del trasportatore di alimentazione o di ricezione adiacente utilizzando solo due sensori interconnessi.

Simbolo	Tabella della verità		
	A	B	Q
	0	0	0
	0	1	X
	1	0	X
	1	1	1

X – nessuna modifica all'uscita.

2.4.5. Timer (impostabile singolarmente per Out1 e Out2)

Il Timer consente all'utente di introdurre diverse funzioni temporizzate modificando i 3 parametri del timer:

- Modalità del timer
- Scala del timer
- Valore del timer

2.4.5.1. Modalità del timer

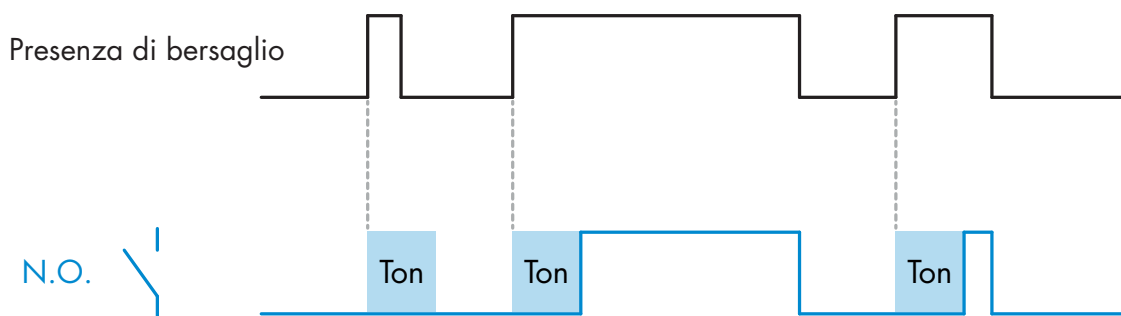
Seleziona quale tipo di funzione temporizzata viene introdotto sull'uscita di commutazione. È disponibile una qualsiasi delle seguenti possibilità:

2.4.5.1.1. Disabilitato

Questa opzione disabilita la funzione del timer indipendentemente dall'impostazione della scala del timer e del ritardo del timer.

2.4.5.1.2. Ritardo all'attivazione (T-on)

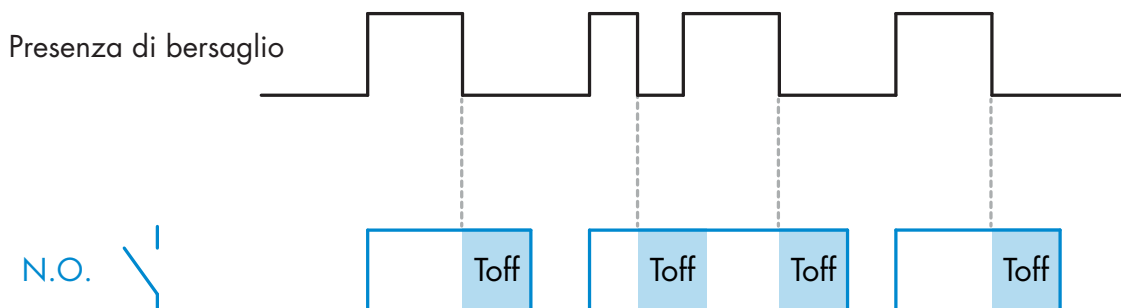
L'attivazione dell'uscita di commutazione viene generata dopo l'effettivo azionamento del sensore, come mostrato nella figura seguente.



Esempio con uscita normalmente aperta

2.4.5.1.3. Ritardo alla disattivazione (T-off)

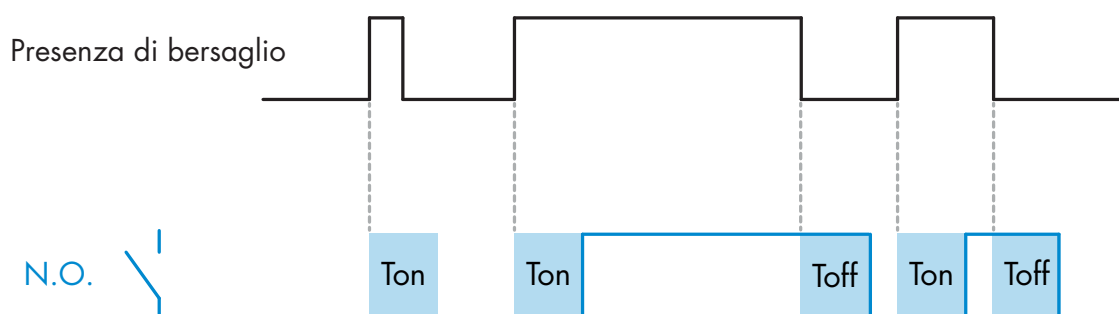
La disattivazione dell'uscita di commutazione è ritardata rispetto al tempo di rimozione del bersaglio nella parte anteriore del sensore, come mostrato nella figura seguente.



Esempio con uscita normalmente aperta

2.4.5.1.4. Ritardo all'attivazione e alla disattivazione (T-on e T-off)

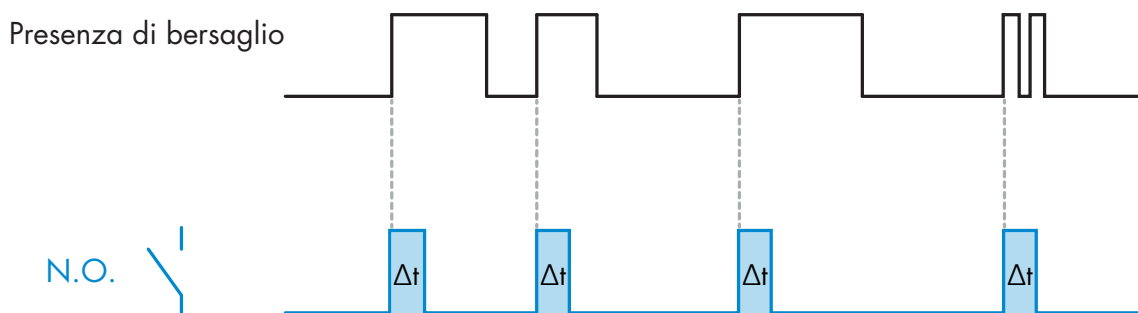
Se selezionati, i ritardi T-on e T-off vengono applicati alla generazione dell'uscita di commutazione.



Esempio con uscita normalmente aperta

2.4.5.1.5. One shot bordo di entrata

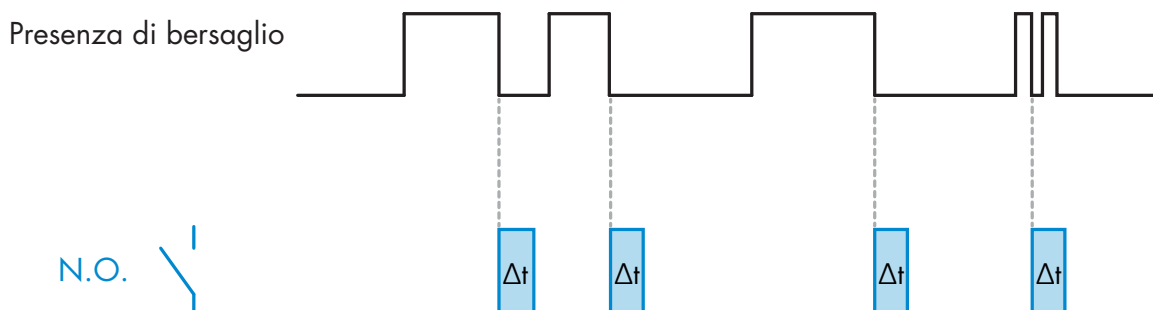
Ogni volta che viene rilevato un bersaglio davanti al sensore, l'uscita di commutazione genera un impulso di lunghezza costante sul bordo di entrata del rilevamento. Questa funzione non è retriggerabile. Vedere la figura seguente.



Esempio con uscita normalmente aperta

2.4.5.1.6. One shot bordo di uscita

Simile come funzione alla modalità one shot bordo di entrata, ma in questa modalità l'uscita di commutazione viene modificata sul bordo di uscita dell'attivazione, come mostrato nella figura seguente. Questa funzione non è retriggerabile.



Esempio con uscita normalmente aperta

2.4.5.2. Scala del timer

Questo parametro definisce se il ritardo specificato nel ritardo del timer deve essere espresso in millisecondi, secondi o minuti.

2.4.5.3. Valore del timer

Questo parametro definisce la durata effettiva del ritardo. Il ritardo può essere impostato su qualsiasi valore intero compreso tra 1 e 32.767.

6

2.4.6. Invertitore di uscita

Questa funzione consente all'utilizzatore di invertire il funzionamento dell'uscita di commutazione tra Normalmente aperto e Normalmente chiuso.

FUNZIONE RACCOMANDATA

La funzione raccomandata si trova nei parametri sotto 64 (0x40) sottoindice 8 (0x08) per SO1 e 65 (0x41) sottoindice 8 (0x08) per SO2 e non ha alcuna influenza negativa sulle funzioni logiche o sulle funzioni timer del sensore in quanto viene aggiunta dopo tali funzioni.

ATTENZIONE!

Si sconsiglia l'uso della funzione logica di commutazione sotto 61 (0x3D) sottoindice 1 (0x01) per SSC1 e 63 (0x3F) sottoindice 1 (0x01) per SSC2 in quanto ha un'influenza negativa sulle funzioni logiche o temporizzate. Così ad esempio l'uso di questa funzione trasformerà un ritardo di attivazione in un ritardo di disattivazione se viene aggiunta per SSC1 e SSC2. Essa è rilevante solo per SO1 e SO2.

7

2.4.7. Modalità stadio di uscita

In questo blocco funzioni l'utilizzatore può selezionare se le uscite di commutazione devono funzionare come:

- SO1: Disabilitato, configurazione NPN, PNP o Push-Pull.
- SO2: Disabilitato, NPN, PNP, Push-Pull, ingresso esterno (attivo alto/Pull-down), ingresso esterno (attivo basso/Pull-up) o ingresso Teach esterno.

2.4.8. Funzioni applicative

Possono essere selezionate 4 funzioni applicative specifiche solo tramite IO-Link.

- Velocità e lunghezza.
- Riconoscimento pattern.
- Divisore.
- Monitoraggio di oggetti e spazio libero.

Per impostazione di fabbrica, tutte le funzioni applicative sono disabilitate.

2.4.8.1. Velocità e lunghezza

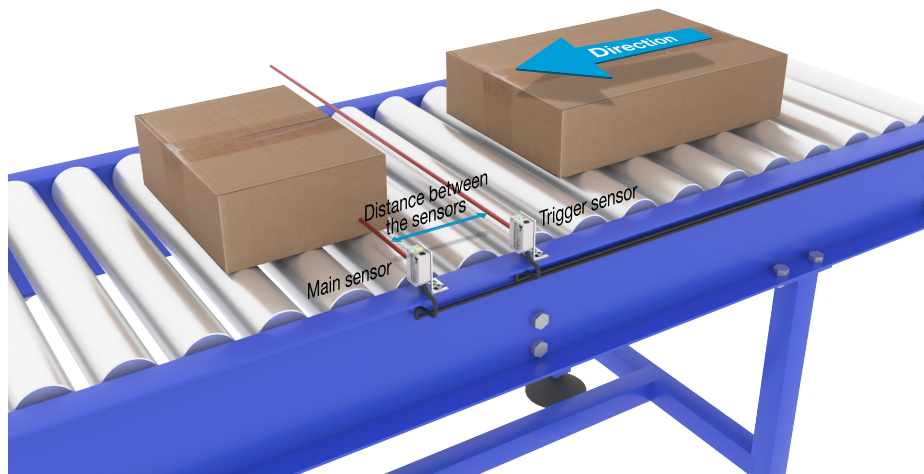
Questa funzione è progettata per monitorare la lunghezza di un oggetto e la velocità di un nastro trasportatore per mezzo di due soli sensori interconnessi. I valori reali della lunghezza in [mm] e della velocità in [mm/s] sono direttamente disponibili sul master IO-Link.

Come dati di processo è possibile impostare la lunghezza o la velocità.

2.4.8.1.1. Condizioni

Questa funzione richiede due sensori: un sensore attivazione e un sensore principale.

2.4.8.1.2. Velocità e lunghezza: procedura di impostazione



Allineamento del sensore attivazione e sensore principale

Preparazione dei sensori

- 1) Montare due sensori sul trasportatore con una distanza individuale, ad esempio, di 100 mm
- 2) Collegare i due sensori a un SCTL55 o a un master IO-Link
- 3) Caricare i file IODD nell'SCTL55 o nel master IO-Link
- 4) Attivare l'alimentazione dei sensori
- 5) Ripristinare le impostazioni di fabbrica dei sensori utilizzando l'SCTL55 o il master IO-Link.
- 6) Allineare i due sensori in modo che i fasci di luce siano paralleli tra loro e puntati sul bersaglio.
- 7) Regolare la sensibilità dei sensori in modo da ottenere un rilevamento affidabile dell'oggetto. (Il LED giallo e il LED verde sono accesi, indicando "Stable ON" e la modalità IO-Link)

Impostazioni dei parametri IO-Link (vedere "Opzioni di intervallo dati" nel paragrafo 7.2.7.1.)

- 8) Sensore attivazione: (L'oggetto passa prima davanti al sensore attivazione)
 - a) Selezionare "Velocità e lunghezza" nell'SCTL55 o nel master IO-Link; menu "Parametro" -> "Funzioni applicative"

- b) Selezionare "Ruolo del sensore" -> "Sensore attivazione"
 - c) L'impostazione dei parametri IO-Link è terminata per il sensore attivazione
 - 9) Sensore principale: (calcola la velocità e la lunghezza e rende disponibili i dati tramite IO-Link)
 - a) Resettare il sensore usando "Ripristina impostazioni di fabbrica" (se l'operazione è già stata eseguita al punto 5, questo passaggio può essere saltato).
 - b) Selezionare "Velocità e lunghezza" nell'SCTL55 o nel master IO-Link; menu "Parametro" -> "Funzioni applicative"
 - c) Selezionare "Ruolo del sensore" -> "Sensore principale".
 - d) Immettere la distanza tra i due sensori in [mm] nel menu "Misurazione velocità e lunghezza Sensore principale" -> "Distanza tra i sensori"
 - e) Se necessario, selezionare "Lunghezza oggetto" o "Velocità oggetto" in "Dati di processo" nel menu "Osservazione" sotto "Configurazione dati di processo" -> "Valore analogico"
 - i. La lunghezza dell'oggetto sarà indicata in [mm]
 - ii. La velocità dell'oggetto sarà indicata in [mm/s]
 - 10) Collegare il pin 2 dell'uscita del sensore attivazione al pin 2 dell'ingresso del sensore principale
 - 11) La funzione Velocità e lunghezza è ora pronta per l'uso.
- NB!** Durante la misurazione, eventuali variazioni nella velocità del trasportatore possono influire sul risultato.

2.4.8.2. Riconoscimento pattern

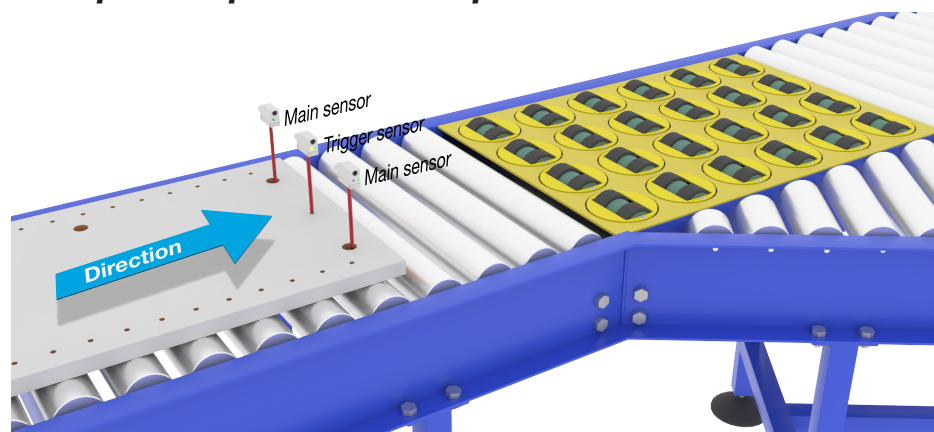
La funzione di riconoscimento pattern permette di verificare se un pezzo fabbricato, ad esempio, ha tutti i fori o i perni previsti e se i pezzi vengono realizzati secondo le specifiche. Il pattern di una parte può essere registrato nel sensore e le parti seguenti possono essere confrontate con il modello pre-registrato.

Se i pattern corrispondono, il sensore risponderà con un segnale o un comando positivo in funzionamento autonomo o tramite un master IO-Link. Il pattern può contenere al massimo 20 bordi, ad esempio 10 fori o 10 perni. Se devono essere rilevati più pattern, si possono collegare diversi sensori principali a un singolo sensore attivazione.

2.4.8.2.1. Condizioni

Questa funzione richiede due sensori: un sensore attivazione e un sensore principale. Tuttavia, se occorre rilevare più pattern simultaneamente, si possono collegare diversi sensori principali al sensore attivazione.

2.4.8.2.2. Riconoscimento pattern: procedura di impostazione



Allineamento del sensore attivazione e sensore principale

Preparazione dei sensori

- 1) Montare in linea due sensori sul trasportatore in modo che l'oggetto raggiunga i due sensori allo stesso tempo.
- 2) Collegare i due sensori a un SCTL55 o a un master IO-Link
- 3) Caricare i file IODD nell'SCTL55 o nel master IO-Link
- 4) Attivare l'alimentazione dei sensori
- 5) Ripristinare le impostazioni di fabbrica dei sensori utilizzando l'SCTL55 o il master IO-Link.
- 6) Allineare i due sensori in modo che i fasci di luce rilevino contemporaneamente il bordo del bersaglio.

- 7) Il sensore attivazione deve essere montato in una posizione in cui rileverà continuamente l'oggetto senza fori o perni.
- 8) Il sensore principale deve essere montato in modo da rilevare i perni o i fori che contengono il pattern da esaminare
- 9) Regolare la sensibilità dei sensori per ottenere un rilevamento affidabile del bersaglio. (Il LED giallo e il LED verde sono accesi, indicando "Stable ON" e la modalità IO-Link)

Impostazioni dei parametri IO-Link (vedere "Opzioni di intervallo dati" nel paragrafo 7.2.7.2.)

- 10) Sensore attivazione:
 - a) Selezionare "Riconoscimento pattern" nell'SCTL55 o nel master IO-Link; menu "Parametro" -> "Funzioni applicative"
 - b) Selezionare "Ruolo del sensore" -> "Sensore attivazione"
 - c) L'impostazione dei parametri IO-Link è terminata per il sensore attivazione
- 11) Sensore principale:
 - a) Selezionare "Riconoscimento pattern" nell'SCTL55 o nel master IO-Link; menu "Parametro" -> "Funzioni applicative"
 - b) Selezionare "Ruolo del sensore" -> "Sensore principale"
 - c) Immettere il valore di Timeout utilizzato per il tempo massimo di valutazione compreso nell'intervallo 1...60 sec. nel menu "Impostazione del riconoscimento pattern" -> "Timeout" (il valore predefinito è 60 sec.)
 - d) Immettere la tolleranza del pattern in ‰ (parti per mille), compresa tra 1 e 200‰ nel menu "Impostazione del riconoscimento pattern" -> "Tolleranza". Il valore predefinito è 50‰
- 12) Collegare il pin 2 dell'uscita del sensore attivazione al pin 2 dell'ingresso del sensore principale.

Apprendimento del pattern

- 13) Attivare il comando "Apprendimento pattern" per iniziare l'apprendimento del pattern
- 14) Spostare il bersaglio a velocità costante passando completamente davanti ai due sensori
NB! Durante la misurazione, eventuali variazioni nella velocità del trasportatore possono influire sul risultato.
- 15) Il sensore risponde con:
 - a) "Salvato" in "Risultato del riconoscimento pattern" -> "Pattern di riferimento"
 - b) "Ad es. 12" in "Risultato del riconoscimento pattern" -> "N. di bordi pattern di riferimento" (conta sia il bordo di entrata che quello di uscita dei bersagli di misurazione).
 - c) Per ogni bordo viene salvato il valore in ms dal bordo di entrata del bersaglio completo della misurazione. Tale valore è riportato nel menu Osservazione.
Quando vengono confrontati con il pattern di riferimento, i bordi sono normalizzati come valore percentuale del bersaglio di misurazione completo.
Questo assicura che il pattern possa essere riconosciuto a varie velocità costanti.
- 16) Il pattern può essere salvato come progetto nell'SCTL55 o nel master IO-Link e successivamente rinviato al sensore per utilizzare questo specifico pattern salvato come pattern di riferimento.
- 17) La funzione Riconoscimento pattern è ora pronta per l'uso.
- 18) Spostare nuovamente il bersaglio a velocità costante passando completamente davanti ai due sensori
- 19) Il sensore risponde con il testo
 - a) "Ad es. 12" in "Risultato del riconoscimento pattern" -> "Numero di bordi ultimo pattern"
- 20) "Pattern identici" in "Risultato del riconoscimento pattern" -> "Stato del riconoscimento pattern"

Funzionamento autonomo in modalità SIO

- 21) Scollegare il sensore dall'SCTL55 o dal master IO-Link e collegare il pin 4 ad es. alla torretta luminosa o al nastro trasportatore di smistamento
- 22) Quando viene rilevato un pattern valido, l'uscita Pin 4 risponde con un impulso di 1 secondo.

Pattern multipli

Si possono rilevare più pattern simultaneamente sullo stesso bersaglio usando solo un sensore attivazione e più sensori principali, ogni sensore principale risponde a un pattern specifico.

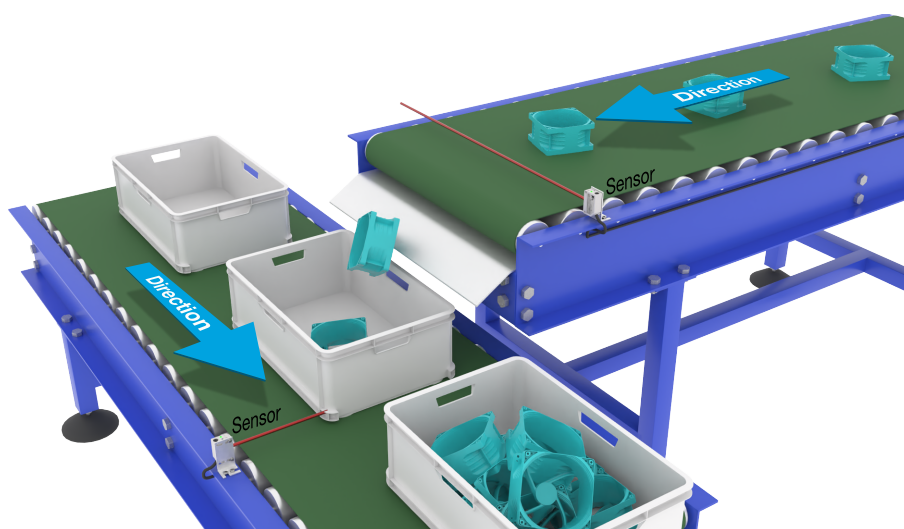
2.4.8.3. Funzione divisore

Questa funzione permette ad es. all'utilizzatore di impostare un numero di conteggi da eseguire prima di cambiare l'uscita. Per impostazione predefinita, questo valore è impostato su 1 e ogni attivazione provoca il cambiamento dell'uscita. Quando il valore è impostato su un valore più alto, ad esempio 10, allora il sensore effettuerà un'uscita ogni 10° rilevamento. Il sensore effettuerà il conteggio sul bordo di uscita dell'oggetto. Nell'esempio di applicazione seguente, il sensore cambia lo stato dell'uscita dopo che sono stati rilevati 8 prodotti. L'uscita del sensore indicherà una "scatola piena" e verrà spostata una nuova scatola davanti al trasportatore principale. Il contatore può essere resettato manualmente tramite l'SO2, preconfigurato come pulsante di reset esterno.

2.4.8.3.1. Condizioni

Per questa funzione viene utilizzato un solo sensore.

2.4.8.3.2. Funzione divisore – Procedura di impostazione



Allineamento del sensore

Preparazione dei sensori

- 1) Montare i sensori sul trasportatore in una posizione in cui il bordo di uscita del bersaglio venga rilevato poco prima che cada nella scatola.
- 2) Collegare il sensore a un SCTL55 o a un master IO-Link.
- 3) Caricare il file IODD nell'SCTL55 o nel master IO-Link.
- 4) Accendere l'alimentazione del sensore.
- 5) Ripristinare le impostazioni di fabbrica del sensore mediante l'SCTL55 o il master IO-Link.
- 6) Allineare il sensore in modo che il fascio di luce rilevi il bersaglio.
- 7) Regolare la sensibilità del sensore in modo da ottenere un rilevamento affidabile del bersaglio. (Il LED giallo e il LED verde sono accesi, indicando "Stable ON" e la modalità IO-Link)

Impostazioni dei parametri IO-Link (vedere "Opzioni di intervallo dati" nel paragrafo 7.2.7.3.)

- 8) Selezionare "Divisore" nell'SCTL55 o nel master IO-Link; menu "Parametro" -> "Funzioni applicative".
- 9) Immettere il valore di contatore nel menu "Impostazione del divisore e del contatore" -> "Limite del contatore" tra 1 e 65.535 (il valore predefinito è 1).
- 10) Se è necessario un valore preimpostato, questo può essere definito nel menu "Divisore e contatore" -> "Valore preimpostato contatore" nell'intervallo compreso tra 0 e 65.535 (il valore predefinito è 0).

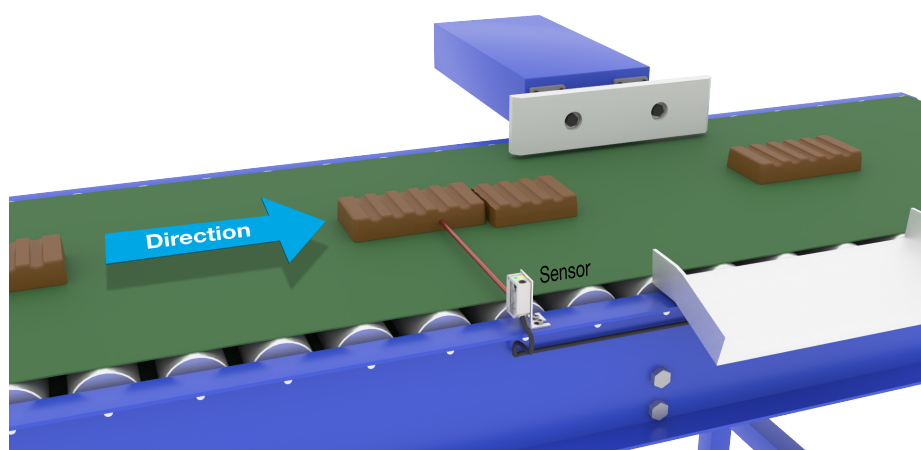
2.4.8.4. Monitoraggio di oggetti e spazio libero

Questa funzione è progettata per controllare che la lunghezza di un oggetto e lo spazio libero tra l'oggetto e quello seguente su un nastro trasportatore rientrino in determinati limiti. Il sensore autonomo emette un segnale se le dimensioni dell'oggetto sono troppo piccole, se gli oggetti si sovrappongono o se lo spazio libero tra due oggetti è insufficiente per i processi successivi.

2.4.8.4.1. Condizioni

Per questa funzione viene utilizzato un solo sensore.

2.4.8.4.2. Monitoraggio di oggetti e spazio libero - Procedura di impostazione



Allineamento del sensore

Preparazione dei sensori

- 1) Montare il sensore sul trasportatore nella posizione richiesta.
- 2) Collegare il sensore a un SCTL55 o a un master IO-Link.
- 3) Caricare il file IODD nell'SCTL55 o nel master IO-Link.
- 4) Accendere l'alimentazione del sensore.
- 5) Ripristinare le impostazioni di fabbrica del sensore mediante l'SCTL55 o il master IO-Link.
- 6) Allineare il sensore in modo che il fascio di luce sia puntato verso il bersaglio da rilevare.
- 7) Regolare la sensibilità del sensore in modo da ottenere un rilevamento affidabile del bersaglio. (Il LED giallo e il LED verde sono accesi, indicando "Stable ON" e la modalità IO-Link)

Impostazioni dei parametri IO-Link (vedere "Opzioni di intervallo dati" nel paragrafo 7.2.7.4.)

- 8) Selezionare "Monitoraggio di oggetti e spazio libero" nell'SCTL55 o nel master IO-Link; menu "Parametro" -> "Funzioni applicative".
- 9) Durata rilevamento oggetto:
 - a) Immettere il tempo minimo di presenza del bersaglio nel menu "Monitoraggio di oggetti e spazio libero" -> "Tempo minimo rilevamento oggetto" specificando un valore compreso tra 10 e 60.000 ms (il valore predefinito è 500), ad esempio 130 ms.
La Durata rilevamento oggetto può essere letta da "Monitoraggio di oggetti e spazio libero" -> "Durata rilevamento oggetto".
 - b) Immettere il tempo [2]massimo[3] di presenza del bersaglio nel menu "Monitoraggio di oggetti e spazio libero" -> "Tempo massimo rilevamento oggetto" specificando un valore compreso tra 10 e 60.000 ms (il valore predefinito è 500), ad esempio 150 ms.
La Durata rilevamento oggetto può essere letta da "Monitoraggio di oggetti e spazio libero" -> "Durata rilevamento oggetto".

10) Durata rilevamento spazio libero:

- a) Immettere il tempo minimo di presenza dello spazio libero nel menu "Monitoraggio di oggetti e spazio libero" -> "Tempo minimo rilevamento spazio libero" specificando un valore compreso tra 10 e 60.000 ms (il valore predefinito è 500), ad esempio 110 ms.
La Durata rilevamento spazio libero può essere letta da "Monitoraggio di oggetti e spazio libero" -> "Durata rilevamento spazio libero".
- b) Immettere il tempo massimo di presenza dello spazio libero nel menu "Monitoraggio di oggetti e spazio libero" -> "Tempo massimo rilevamento spazio libero" specificando un valore compreso tra 10 e 60.000 ms (il valore predefinito è 500), ad esempio 130 ms.
La Durata rilevamento spazio libero può essere letta da "Monitoraggio di oggetti e spazio libero" -> "Durata rilevamento spazio libero".

11) Il sensore è ora pronto all'uso.

12) Il parametro di Lunghezza oggetto si alterna tra: Misurazione in corso e Entro i limiti, Tempo troppo lungo o Tempo troppo breve.

13) Il parametro di Lunghezza spazio libero si alterna tra: Misurazione in corso e Entro i limiti, Tempo troppo lungo o Tempo troppo breve.

Funzionamento autonomo in modalità SIO

14) Scollegare il sensore dall'SCTL55 o dal master IO-Link.

15) L'uscita Pin 4 si attiva se la durata rilevamento oggetto è troppo lunga o troppo breve.

16) L'uscita Pin 2 si attiva se la durata rilevamento spazio libero è troppo lunga o troppo breve.

NB! Se i segnali di entrambe le uscite sono valutati usando una funzione OR logica, l'uscita di questa funzione OR può essere usata come uscita errori comune per Oggetto e per Spazio libero.

2.5. Parametri regolabili specifici del sensore

Oltre ai parametri direttamente correlati alla configurazione dell'uscita, il sensore ha anche vari parametri interni utili per l'impostazione e la diagnostica.

2.5.1. Selezione della regolazione locale o in remoto

Si può specificare in che modo impostare la distanza di rilevamento selezionando "Ingresso potenziometro" o "Teach via cavo" utilizzando l'ingresso esterno del sensore. Si può inoltre disabilitare l'ingresso potenziometro selezionando "Regolazione IO-Link" per rendere il sensore a prova di manomissione.

2.5.2. Dati del potenziometro

L'intervallo di dati compreso tra 13.500 e 70 unità corrisponde a 100 ... 1000 mm.

2.5.3. Configurazione dei dati di processo

Quando il sensore viene utilizzato in modalità IO-Link, l'utilizzatore ha accesso alla variabile ciclica dei dati di processo.

Per impostazione predefinita, i dati di processo mostrano i seguenti parametri come attivi: valore analogico 16 bit, uscita di commutazione 1 (SO1) e uscita di commutazione 2 (SO2).

I seguenti parametri sono impostati come inattivi: SSC1, SSC2, DA1, DA2, TA, SC, WDA1, WDA2, AFO1.

Modificando tuttavia il parametro di configurazione dei dati di processo l'utilizzatore può decidere di abilitare anche lo stato dei parametri inattivi. In questo modo è possibile osservare diverse situazioni del sensore allo stesso tempo.

NB! Se sono selezionate funzioni applicative, è possibile selezionare più opzioni per "Valori analogici" nella scheda Osservazione.

2.5.4. Selezione della misurazione sensore

Il sensore dispone di 3 preimpostazioni di precisione che possono essere selezionate in base all'ambiente:

- Precisione predefinita (scala del filtro fissata su 1)
- Alta precisione (scala del filtro fissata su 10 - lenta)
- Personalizzata (scala del filtro impostabile tra 1-255)

La precisione può essere regolata tramite il parametro "Scala del filtro". Vedere 2.6.9.

2.5.5. Soglia di allarme temperatura

La temperatura a cui si attiverà l'allarme di temperatura può essere modificata sia per il massimo che per il minimo. Vale a dire che il sensore attiverà un allarme al superamento della temperatura massima e minima. Le temperature possono essere impostate tra -50°C e $+150^{\circ}\text{C}$. Le impostazioni di fabbrica predefinite sono: soglia bassa -30°C e soglia alta $+120^{\circ}\text{C}$.

2.5.6. Limiti di sicurezza

I limiti di sicurezza possono essere impostati per il sensore in % di SP1 e SP2 e impostati individualmente per SSC1 e SSC2. Vengono utilizzati per calcolare un segnale Stable ON o Stable OFF.

- Allarme polvere: se vengono superati i limiti di sicurezza, viene attivato l'allarme polvere (vedere anche la descrizione dell'allarme polvere).
- Allarme goccia d'acqua: se vengono superati i limiti di sicurezza, viene attivato l'allarme goccia d'acqua (vedere anche la descrizione dell'allarme goccia d'acqua).
- Regolazione automatica: quando si raggiungono i limiti di sicurezza per la funzione di regolazione automatica, si attiva l'allarme per la pulizia della parte anteriore del sensore.
- Anche il LED verde è influenzato dai limiti di sicurezza. Può essere utilizzato per impostare la distanza di rilevamento manualmente proseguendo la regolazione fino a quando il LED mostra l'indicazione Stable ON.

2.5.6.1. Stable ON

Quando il sensore rileva un segnale che è dello x% superiore (impostato da Limiti di sicurezza) al valore per il quale l'uscita si attiva, il sensore è nello stato Stable ON.

2.5.6.2. Stable OFF

Quando il sensore rileva un segnale che è dello x% inferiore (impostato da Limiti di sicurezza) al valore per il quale l'uscita si disattiva, il sensore è nello stato Stable OFF.

2.5.7. Configurazione degli eventi

Gli eventi di temperatura trasmessi tramite l'interfaccia IO-Link sono disattivati nel sensore per impostazione predefinita. Se l'utilizzatore desidera ottenere informazioni sulle temperature critiche rilevate nell'applicazione del sensore, questo parametro consente di abilitare o disabilitare i seguenti 4 eventi:

- Evento errore di temperatura: il sensore rileva la temperatura al di fuori del campo operativo specificato.
- Temperatura eccessiva: il sensore rileva temperature superiori a quelle impostate nella soglia di allarme temperatura.
- Temperatura insufficiente: il sensore rileva temperature inferiori a quelle impostate nella soglia di allarme temperatura.
- Cortocircuito: il sensore rileva se l'uscita del sensore è in cortocircuito.

2.5.8. Qualità di esecuzione (QoR)

La Qualità di esecuzione informa l'utilizzatore sulle effettive prestazioni del sensore mediante la valutazione dei seguenti parametri:

Segnale massimo, Segnale minimo, Isteresi, SP e Limiti di sicurezza.

Il valore di QoR può variare dallo 0% al 255%.

Il valore di QoR è viene aggiornato per ogni ciclo di rilevamento.

Nella tabella sottostante sono elencati degli Esempi di QoR.

Valori Quality of Run (Qualità di esecuzione)	Spiegazione
> 150%	Condizioni di rilevamento eccellenti; il sensore non dovrebbe richiedere manutenzione nel prossimo futuro.
100%	Buone condizioni di rilevamento; il sensore funziona correttamente come al momento dell'apprendimento dei setpoint o della loro impostazione manuale. Il margine di sicurezza corrisponde a due volte l'isteresi standard. <ul style="list-style-type: none">• L'affidabilità a lungo termine è prevista in tutte le condizioni ambientali.• Non si prevede la necessità di manutenzione.
50%	Condizioni di rilevamento medie <ul style="list-style-type: none">• A causa delle condizioni ambientali, l'affidabilità dei valori di misurazione è ridotta; per migliorare il comportamento di rilevamento è necessario eseguire la manutenzione.• Se le condizioni ambientali rimangono stabili, è prevedibile un rilevamento affidabile per il prossimo futuro.
0%	Condizioni di rilevamento inaffidabili; il sensore non funziona correttamente ed è necessaria una manutenzione immediata.

2.5.9. Qualità di Teach (QoT)

Valutando la relazione tra i parametri TP2, TP1, Isteresi e Limiti di sicurezza, il valore di Qualità di Teach comunica all'utilizzatore il livello qualitativo della procedura di apprendimento.

Il valore di QoT può variare dallo 0% al 255%.

Il valore di QoT viene aggiornato dopo ogni procedura di apprendimento.

Nella tabella sottostante sono elencati degli Esempi di QoT.

Valori Quality of Teach (Qualità di Teach)	Spiegazione
> 150%	Condizioni di apprendimento eccellenti; il sensore non dovrebbe richiedere manutenzione nel prossimo futuro.
100%	Condizioni di apprendimento buone; il sensore è stato sottoposto ad apprendimento con i limiti di sicurezza impostati sui limiti di sicurezza standard: <ul style="list-style-type: none">• L'affidabilità a lungo termine è prevista in tutte le condizioni ambientali.• Non si prevede la necessità di manutenzione.
50%	Condizioni di apprendimento medie. <ul style="list-style-type: none">• Le condizioni ambientali non permettono un rilevamento affidabile per un periodo più lungo. La manutenzione dovrebbe essere effettuata nel prossimo futuro. <ul style="list-style-type: none">• Se le condizioni ambientali rimangono stabili, è prevedibile un rilevamento affidabile per il prossimo futuro.
0%	Scarso risultato dell'apprendimento. <ul style="list-style-type: none">• Condizioni di rilevamento insufficienti per un rilevamento affidabile (ad esempio, margine di misurazione troppo piccolo tra il bersaglio e l'ambiente circostante).

2.5.10. Riserva funzionale

Il valore di Riserva funzionale descrive il rapporto tra la luce ricevuta dal sensore fotoelettrico e la luce necessaria per far funzionare il sensore.

Il valore di Riserva funzionale si trova nella scheda Diagnostica dell'SCTL55 o del Master IO-Link.

$$\text{Riserva funzionale} = \frac{\text{Luce ricevuta dal sensore}}{\text{Luce necessaria per commutare l'uscita}}$$

2.5.11. Scala del filtro

Questa funzione permette di aumentare l'immunità verso bersagli instabili e disturbi elettromagnetici: il suo valore può essere impostato da 1 a 255, il valore predefinito è 1. Il filtro funziona come una media mobile. Ciò significa che un'impostazione del filtro pari a 1 fornisce la frequenza di rilevamento massima e un'impostazione di 255 la frequenza di rilevamento minima.

2.5.12. Interferenze reciproche

In un'installazione ottimale, i sensori devono essere installati in modo da non interferire l'uno con l'altro. Dato che in alcuni casi ciò non è possibile, si può utilizzare la funzione di protezione da interferenze reciproche. L'uso di questa funzione aumenta significativamente l'immunità, ma ha anche un impatto negativo sulla velocità di rilevamento.

Quando il filtro è attivo, il sensore analizza i segnali ricevuti e cerca di filtrare gli impulsi interferenti.

Modalità a 1 sensore: da utilizzare quando il sensore è disturbato da un sensore estraneo, da un flash intenso o da una fonte di luce modulata intensa, ad esempio luci LED.

Il tempo di risposta viene aumentato di 5 volte.

Modalità a 2 sensori: è da utilizzare se due sensori identici interferiscono tra loro.

Il tempo di risposta viene aumentato di 5 ... 6 volte.

Modalità a 3 sensori: è da utilizzare se tre sensori identici interferiscono tra loro.

Il tempo di risposta viene aumentato di 5 ... 7 volte.

2.5.13. Indicatore a LED

L'indicatore a LED può essere configurato in 3 modalità diverse: Inattivo, Attivo o Trova il mio sensore.

Inattivo: I LED sono sempre spenti

Attivo: I LED seguono lo schema di indicazione riportato al paragrafo 5.1.

Trova il mio sensore: I LED lampeggiano in alternanza a 2Hz con prestazione del 50% così da permettere di individuare facilmente il sensore.

2.5.14. Modalità isteresi

Vedere 2.4.1.3. Impostazioni dell'isteresi

2.5.15. Valore dell'isteresi automatica

Vedere 2.4.1.3. Impostazioni dell'isteresi

2.6. Procedura di apprendimento tramite SCTL55 o master IO-Link

I setpoint possono essere impostati utilizzando una procedura di apprendimento. Ciò assicura che i setpoint siano impostati su un valore ottimale tenendo conto dei limiti di sicurezza e dell'isteresi.

2.6.1. Teach esterno (Teach via cavo)

NB! Questa funzione si utilizza in modalità a punto singolo e solo per SP1 in SSC1.

La funzione Teach via cavo deve innanzitutto essere selezionata tramite il SCTL55 o il master IO-Link:

- Selezionare "Teach-in" in "Canale 2 (SO2)" -> "Configurazione canale 2. Modalità stadio di uscita".
- Selezionare "Modalità a punto singolo" in "Canale del segnale di commutazione 1" -> "Modalità di configurazione SSC1".
- Selezionare "Teach via cavo" in "SSC1 punto singolo" -> "Selezione della regolazione locale o in remoto".

Procedura di Teach via cavo.

- Posizionare il bersaglio davanti al sensore.
- Collegare l'ingresso del cavo di Teach (pin 2, cavo bianco) a V+ (pin 1, cavo marrone).
Il LED giallo inizia a lampeggiare a 1 Hz (10% ON), indicando che il Teach è in corso.
- Dopo 3-6 secondi, la finestra di apprendimento è aperta. La sequenza di lampeggio cambia al 90%.
Rilasciare il cavo bianco.
- Se il Teach viene eseguito correttamente, il LED giallo emette 4 lampeggi (2 Hz, 50%).
- Il nuovo setpoint appreso si trova in "SSC1 punto singolo" -> "Setpoint" -> "Parametro SSC1.Setpoint 1".
Se il Teach fallisce o è sospeso, il sensore uscirà dalla modalità Teach.

NB! Se il cavo bianco viene rilasciato fuori dalla finestra di Teach, l'apprendimento viene sospeso.

Se il cavo bianco non viene rilasciato entro 12 secondi, il Teach viene sospeso (timeout indicato da un numero di flash gialli rapidi (5Hz, 50%).

2.6.2. Teach mediante master IO-Link o Smart Configurator (SCTL55)

- Selezionare la modalità di configurazione SSC1 o SSC2:

SSC1: in "Canale del segnale di commutazione 1" -> "Modalità di configurazione SSC1", selezionare "Punto singolo", "Finestra" o "Punto doppio".

NB! Se si seleziona "Punto singolo", in "SSC1 punto singolo" -> "Selezione della regolazione locale o in remoto" si deve scegliere "Regolazione IO-Link".

SSC2: in "Canale del segnale di commutazione 2" -> "Modalità di configurazione SSC2", selezionare: "Punto singolo", "Finestra" o "Punto doppio".

- In "Teach-in" -> "Selezione Teach-in", selezionare il canale di apprendimento, ad esempio "Canale del segnale di commutazione 1" o "Canale del segnale di commutazione 2".

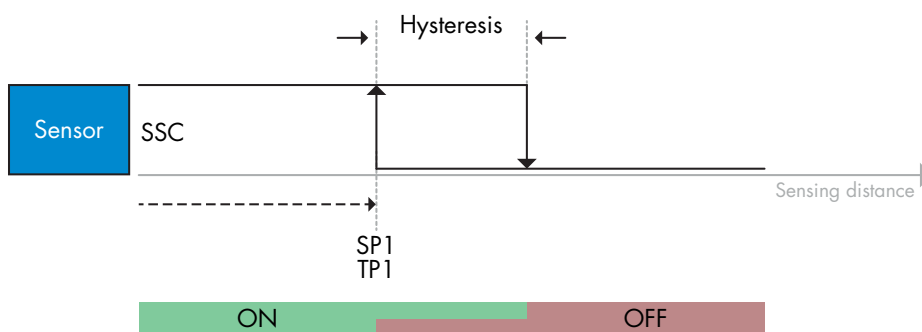
2.6.2.1. Procedura con modalità a punto singolo

1) Sequenza di comando di Teach a valore unico:

Sequenza di comando di Teach a valore unico.

(I pulsanti si trovano in: "Teach-in SSC1" o "Teach-in SSC2" -> "Teach-in a valore unico SSC1" o "Teach-in a valore unico SSC2").

- Posizionare il bersaglio davanti al sensore.
- Premere "Teach SP1".
- Il risultato del Teach-in è mostrato in "Risultato Teach-in -> Stato Teach-in", ad esempio "RIUSCITO".
- In "Qualità di Teach" è indicata la QoT, ad es. 100%.



2) Sequenza di comando di Teach dinamico

Teach dinamico per sequenza di comando di Teach a valore unico

(I pulsanti si trovano in: "Teach-in SSC1" o "Teach-in SSC2" -> "Teach-in dinamico SSC1" o "Teach-in dinamico SSC2")

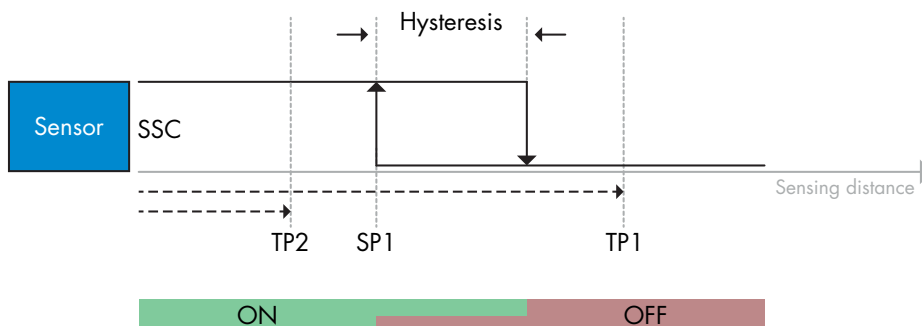
1. Premere "Avvia Teach di SP1".
2. Spostare il bersaglio davanti al sensore in posizioni leggermente diverse dentro e fuori la zona di rilevamento.
3. Premere "Arresta Teach di SP1".
4. Il risultato del Teach-in è mostrato in "Risultato Teach-in -> Stato Teach-in", ad esempio "RIUSCITO".
5. In "Qualità di Teach" è indicata la QoT, ad es. 150%

3) Sequenza di comando di Teach a due valori

Teach a due valori per SP1

(I pulsanti si trovano in: "Teach-in SSC1" o "Teach-in SSC2" -> "Teach-in a due valori SSC1" o "Teach-in a due valori SSC2")

1. Spostare il bersaglio nella posizione per SP1 TP1
 - A. Premere "Teach SP1 TP1".
 - B. "Risultato Teach-in -> TeachPoint 1 di setpoint 1" = ad es. "OK".
 - C. "Risultato Teach-in -> Stato Teach-in" = ad es. "ATTESA COMANDO".
2. Spostare il bersaglio nella posizione per SP1 TP2
 - A. Premere "Teach SP1 TP2".
 - B. "Risultato Teach-in -> TeachPoint 2 di setpoint 1" = ad es. "OK".
 - C. "Risultato Teach-in -> Stato Teach-in" = ad es. "RIUSCITO".
3. In "Qualità di Teach" è indicata la QoT, ad es. 150%

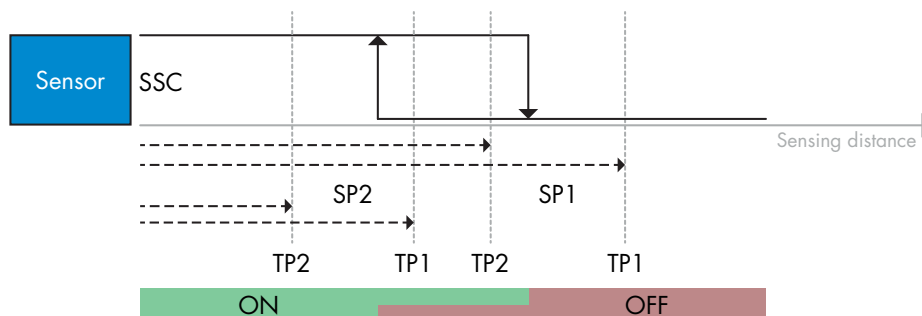


2.6.2.2. Procedura con modalità a punto doppio

1) Sequenza di comando di Teach a due valori:

I pulsanti si trovano nel menu: "Teach-in SSC1" o "Teach-in SSC2" -> "Teach-in a due valori SSC1" o "Teach-in a due valori SSC2"

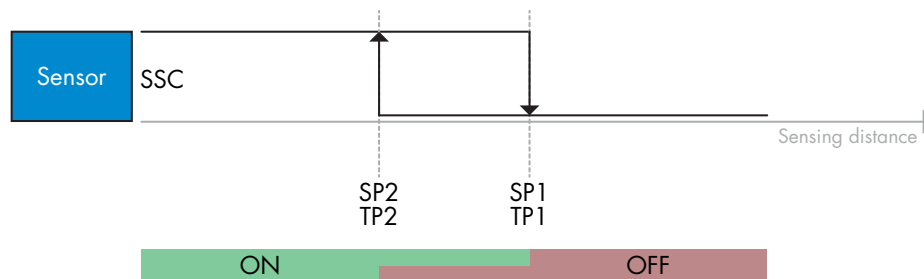
1. Spostare il bersaglio nella posizione per SP1 TP1.
 - A. Premere "Teach SP1 TP1".
 - B. "Risultato Teach-in -> TeachPoint 1 di setpoint 1" = ad es. "OK".
 - C. "Risultato Teach-in -> Stato Teach-in" = ad es. "ATTESA COMANDO".
2. Spostare il bersaglio nella posizione per SP1 TP2.
 - A. Premere "Teach SP1 TP2".
 - B. "Risultato Teach-in -> TeachPoint 2 di setpoint 1" = ad es. "OK".
 - C. "Risultato Teach-in -> Stato Teach-in" = ad es. "ATTESA COMANDO".
3. Spostare il bersaglio nella posizione per SP2 TP1.
 - A. Premere "Teach SP2 TP1".
 - B. "Risultato Teach-in -> TeachPoint 1 di setpoint 2" = ad es. "OK".
 - C. "Risultato Teach-in -> Stato Teach-in" = ad es. "ATTESA COMANDO".
4. Spostare il bersaglio nella posizione per SP2 TP2.
 - A. Premere "Teach SP2 TP2".
 - B. "Risultato Teach-in -> TeachPoint 2 di setpoint 2" = ad es. "OK".
 - C. "Risultato Teach-in -> Stato Teach-in" = ad es. "ATTESA COMANDO".
5. Premere Applica Teach.
 - A. "Risultato Teach-in -> Stato Teach-in" = ad es. "Riuscito".
6. In "Qualità di Teach" è indicata la QoT, ad es. 100%



2) Sequenza di comando di Teach dinamico:

I pulsanti si trovano nel menu: "Teach-in dinamico SSC1" o "Teach-in dinamico SSC2" -> "Teach-in"

1. Spostare il bersaglio nella posizione per SP1.
 - A. Premere "Avvia Teach di SP1".
 - B. "Risultato Teach-in -> Stato Teach-in" = ad es. "ATTESA COMANDO".
 - C. Premere "Arresta Teach di SP1".
 - D. "Risultato Teach-in -> Stato Teach-in" = ad es. "ATTESA COMANDO".
2. Spostare il bersaglio nella posizione per SP2.
 - A. Premere "Avvia Teach di SP2".
 - B. "Risultato Teach-in -> Stato Teach-in" = ad es. "ATTESA COMANDO".
 - C. Premere "Arresta Teach di SP2".
 - D. "Risultato Teach-in -> Stato Teach-in" = ad es. "ATTESA COMANDO".
3. "Risultato Teach-in -> Stato Teach-in" = ad es. "RIUSCITO".
4. In "Qualità di Teach" è indicata la QoT, ad es. 100%

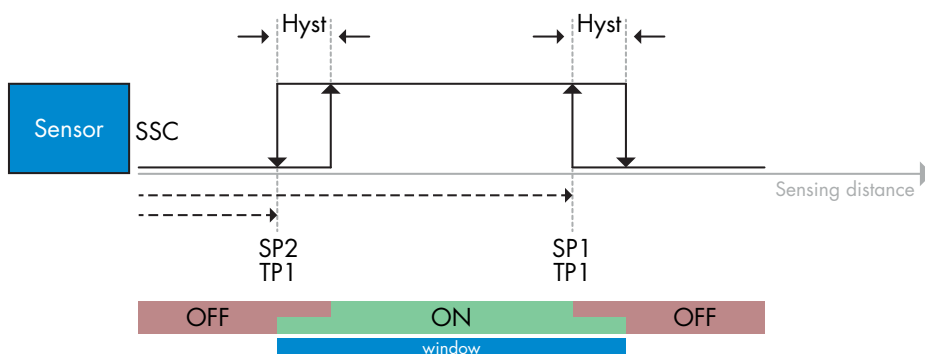


2.6.2.3. Procedura con modalità finestra

1) Sequenza di comando di Teach a valore unico:

I pulsanti si trovano nel menu: "Teach-in SSC1" o "Teach-in SSC2" -> "Teach-in a valore unico SSC1" o "Teach-in a valore unico SSC2"

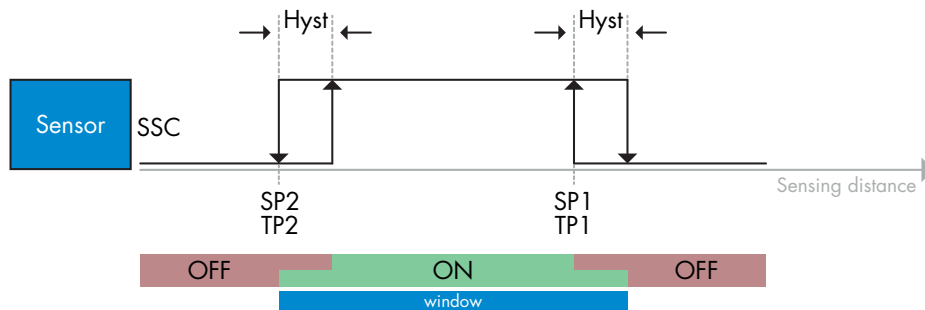
1. Spostare il bersaglio nella posizione per SP1.
 - A. Premere "Teach SP1".
 - B. "Risultato Teach-in -> Stato Teach-in" = ad es. "ATTESA COMANDO".
2. Spostare il bersaglio nella posizione per SP2.
 - A. Premere "Teach SP2".
 - B. "Risultato Teach-in -> Stato Teach-in" = ad es. "RIUSCITO".
3. In "Qualità di Teach" è indicata la QoT, ad es. 255%



2) Sequenza di comando di Teach dinamico:

I pulsanti si trovano nel menu: "Teach-in SSC1" o "Teach-in SSC2" -> "Teach-in dinamico SSC1" o "Teach-in dinamico SSC2"

1. Spostare il bersaglio nella posizione per SP1.
 - A. Premere "Avvia Teach di SP1".
 - B. "Risultato Teach-in -> Stato Teach-in" = ad es. "ATTESA COMANDO".
 - C. Premere "Arresta Teach di SP1".
 - D. "Risultato Teach-in -> Stato Teach-in" = ad es. "ATTESA COMANDO".
2. Spostare il bersaglio nella posizione per SP2.
 - A. Premere "Avvia Teach di SP2".
 - B. "Risultato Teach-in -> Stato Teach-in" = ad es. "ATTESA COMANDO".
 - C. Premere "Arresta Teach di SP2".
 - D. "Risultato Teach-in -> Stato Teach-in" = ad es. "RIUSCITO".
3. In "Qualità di Teach" è indicata la QoT, ad es. 100%



2.7. Parametri diagnostici

2.7.1. Ore di funzionamento

Il sensore è fornito di un contatore integrato che registra ogni ora in cui il sensore è stato operativo. Il numero massimo di ore registrabili può essere letto attraverso l'SCTL55 o un master IO-Link.

2.7.2. Numero di accensioni [cicli]

Il sensore è dotato di un contatore integrato che registra ogni attivazione del sensore. Il valore viene salvato ogni ora. Il numero effettivo di cicli di alimentazione è registrato e può essere letto attraverso l'SCTL55 o un master IO-Link.

2.7.3. Temperatura massima assoluta [°C]

Il sensore ha una funzione incorporata che registra la temperatura più alta a cui il sensore è stato esposto durante il corso della sua vita operativa. Questo parametro viene aggiornato una volta all'ora e può essere letto attraverso un SCTL55 o un master IO-Link.

2.7.4. Temperatura minima assoluta [°C]

Il sensore ha una funzione incorporata che registra la temperatura più bassa a cui il sensore è stato esposto durante il corso della sua vita operativa. Questo parametro viene aggiornato una volta all'ora e può essere letto attraverso un SCTL55 o un master IO-Link.

2.7.5. Temperatura massima dall'ultima accensione [°C]

Tramite questo parametro l'utilizzatore può ottenere informazioni su quale sia la temperatura massima registrata dal momento dell'avvio. Questo valore non viene salvato nel sensore. Tuttavia, può essere letto attraverso l'SCTL55 o un master IO-Link.

2.7.6. Temperatura minima dall'ultima accensione [°C]

Tramite questo parametro l'utilizzatore può ottenere informazioni su quale sia la temperatura minima registrata dal momento dell'avvio. Questo valore non viene salvato nel sensore. Tuttavia, può essere letto attraverso l'SCTL55 o un master IO-Link.

2.7.7. Temperatura attuale [°C]

Tramite questo parametro l'utilizzatore può ottenere informazioni sulla temperatura attuale del sensore. La temperatura può essere letta attraverso l'SCTL55 o un master IO-Link.

2.7.8. Contatore di rilevamento [cicli]

Il sensore registra ogni cambiamento di stato di SSC1. Questo parametro viene aggiornato una volta all'ora e può essere letto attraverso un SCTL55 o un master IO-Link.

2.7.9. Minuti oltre la temperatura massima [min]

Il sensore registra per quanti minuti il sensore è stato operativo al di sopra della temperatura massima. Il numero massimo di minuti da registrare è 2.147.483.647. Questo parametro viene aggiornato una volta all'ora e può essere letto attraverso un SCTL55 o un master IO-Link.

2.7.10. Minuti al di sotto della temperatura minima [min]

Il sensore registra per quanti minuti il sensore è stato operativo al di sotto della temperatura minima. Il numero massimo di minuti da registrare è 2.147.483.647. Questo parametro viene aggiornato una volta all'ora e può essere letto attraverso un SCTL55 o un master IO-Link.

2.7.11. Contatore dei download

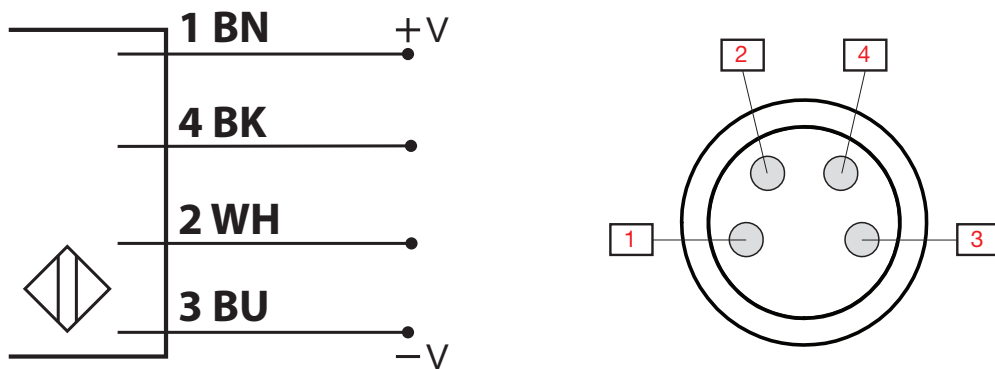
Il sensore registra quante volte sono stati modificati i suoi parametri. Il numero massimo di modifiche da registrare è 65.536. Questo parametro viene aggiornato una volta all'ora e può essere letto attraverso un SCTL55 o un master IO-Link.

NOTA!

La temperatura misurata dal sensore sarà sempre superiore alla temperatura ambiente a causa del riscaldamento interno.

La differenza tra temperatura ambiente e temperatura interna è influenzata dal modo in cui il sensore viene installato nell'applicazione. Se il sensore è installato su una staffa metallica, la differenza sarà inferiore rispetto a quando il sensore è montato su una di plastica.

3. Schemi di cablaggio



PIN	Colore	Segnale	Descrizione
1	Marrone	10 ... 30 VDC	Alimentazione sensore
2	Bianco	Carico	Uscita 2 / modalità SIO / ingresso esterno / Teach esterno
3	Blu	GND	Terra
4	Nero	Carico	IO-Link / uscita 1 / modalità SIO

4. Messa in funzione

150 ms dopo l'accensione dell'alimentazione il sensore è operativo.

Se è collegato a un master IO-Link, non sono necessarie ulteriori impostazioni e la comunicazione IO-Link si avvia automaticamente dopo che il master IO-Link ha inviato una richiesta di attivazione al sensore.

5. Funzionamento

5.1. Interfaccia utente di PD30ETDx10BPxxIO

I sensori PD30ETDx10BPxxIO sono dotati di un LED giallo e di uno verde.

Modalità SIO e IO-Link			
LED verde	LED giallo	Alimentazione	Rilevamento
● ON	● OFF	ON	OFF (stabile) SSC1
● OFF	● OFF	ON	OFF (non stabile) SSC1 o LED disabilitati
● OFF	● ON	ON	ON (non stabile) SSC1
● ON	● ON	ON	ON (stabile) SSC1
● OFF	● OFF	OFF	Alimentazione non collegata
-	● Lampeggiante 10 Hz Prestazione 50%	ON	Cortocircuito in uscita
-	Lampeggiante 0,5...20 Hz ● 50% dutycycle	ON	Indicazione di innesco timer
Solo modalità SIO			
-	● Lampeggiante 1 Hz ON 100 ms OFF 900 ms	ON	Teach via cavo esterno. Solo per la modalità a punto singolo
-	● Lampeggiante 1 Hz ON 900 ms OFF 100 ms	ON	Finestra temporale Teach (3–6 sec.)
-	● Lampeggiante 10 Hz ON 50 ms OFF 50 ms Lampeggiante per 2 secondi	ON	Temporale Teach (12 sec)
-	● Lampeggiante 2 Hz ON 250 ms OFF 250 ms Lampeggiante per 2 secondi	ON	Teach riuscito
Solo modalità IO-Link			
● Lampeggiante 1 Hz ON 900 ms OFF 100 ms	● OFF	ON	Il sensore è in modalità IO-Link e SSC1 è stabile
● Lampeggiante 1 Hz ON 100 ms OFF 900 ms	● ON	ON	Il sensore è in modalità IO-Link e SSC1 non è stabile
● ● Lampeggiante 2 Hz Prestazione 50%		ON	Trova il mio sensore

6. File IODD e impostazione di fabbrica

6.1. File IODD di un dispositivo IO-Link

Tutte le funzioni, i parametri del dispositivo e i valori di impostazione del sensore sono raccolti in un file denominato I/O Device Description (file IODD).

Il file IODD è necessario al fine di stabilire la comunicazione tra il SCTL55 o il master IO-Link e il sensore.

Ogni fornitore di dispositivi IO-Link deve consegnare questo file e renderlo disponibile per il download sul sito web.

Il file IODD include:

- dati di processo e diagnostici
- descrizione dei parametri con nome, intervallo consentito, tipo di dati e indirizzo (indice e sottoindice)
- proprietà di comunicazione, incluso il tempo di ciclo minimo del dispositivo
- identificazione del dispositivo, numero dell'articolo, immagine del dispositivo e logo del produttore

I file IODD sono disponibili su IODD Finder e sul sito web di Carlo Gavazzi: <http://gavazziautomation.com>

6.2. Impostazioni di fabbrica

Le impostazioni di fabbrica predefinite sono elencate nell'appendice 7 sotto i valori predefiniti.

7. Appendice

7.1. Acronimi

IntegerT	Intero contrassegnato
OctetStringT	Posizione degli ottetti
PDV	Dati e variabili di processo
R/W	Lettura e scrittura
RO	Sola lettura
SO	Uscita di commutazione
SP	Setpoint
TP	Teachpoint
SSC	Canale del segnale di commutazione
StringT	Stringa di caratteri ASCII
TA	Allarme di temperatura
UIntegerT	Intero non contrassegnato
WO	Sola scrittura
SC	Corto circuito
DA	Allarme polvere
WDA	Allarme goccia d'acqua
AFO1	Funzioni applicazione Uscita 1

7.2. Parametri dispositivo IO-Link per PD30ETD IO-Link

7.2.1. Parametri dispositivo

Nome parametro	Indice dec (hex)	Accesso	Valore predefinito	Intervallo di dati	Tipo di dati	Lunghezza
Nome fornitore	16 (0x10)	RO	Carlo Gavazzi	-	StringT	20 byte
Testo fornitore	17 (0x11)	RO	www.gavazziautomation.com	-	StringT	26 byte
Nome prodotto	18 (0x12)	RO	(nome del sensore) p. es. PD30ETD110BPA210	-	StringT	20 byte
ID prodotto	19 (0x13)	RO	(codice EAN del prodotto) p. es. 5709870394046	-	StringT	13 byte
Testo prodotto	20 (0x14)	RO	ad es. Sensore fotoelettrico, a riflessione diffusa, emettitore di luce rossa, 1000 mm, alloggiamento in acciaio inox, IO-Link	-	StringT	30 byte
Numero seriale	21 (0x15)	RO	(numero seriale univoco) p. es. 20210315C0001	-	StringT	13 byte
Revisione hardware	22 (0x16)	RO	(revisione hardware) p. es. v01.00	-	StringT	6 byte
Revisione firmware	23 (0x17)	RO	(revisione software) p. es. v01.00	-	StringT	6 byte
Tag specifico dell'applicazione	24 (0x18)	R/W	***	Qualsiasi stringa fino a 32 caratteri	StringT	max 32 byte
Tag funzione	25 (0x19)	R/W	***	Qualsiasi stringa fino a 32 caratteri	StringT	max 32 byte
Tag posizione	26 (0x1A)	R/W	***	Qualsiasi stringa fino a 32 caratteri	StringT	max 32 byte
Processo dati d'ingresso	40 (0x28)	RO	-	-	IntegerT	32 bit

7.2.2. Osservazione

Nome parametro	Indice dec (hex)	Accesso	Valore predefinito	Intervallo di dati	Tipo di dati	Lunghezza
Configurazione dei dati di processo	70 (0x46)	R/W	-	-	-	-
Valore analogico	1 (0x01)	R/W	1 = Valore analogico attivo	0 = Valore analogico inattivo 1 = Valore analogico attivo	RecordT	16 bit
Uscita di commutazione 1	2(0x02)	R/W	1 = Uscita di commutazione 1 attiva	0 = Uscita di commutazione 1 inattiva 1 = Uscita di commutazione 1 attiva	RecordT	16 bit
Uscita di commutazione 2	3 (0x03)	R/W	1 = Uscita di commutazione 2 attiva	0 = Uscita di commutazione 2 inattiva 1 = Uscita di commutazione 2 attiva	RecordT	16 bit
Canale del segnale di commutazione 1	4 (0x04)	R/W	0 = SSC1 inattivo	0 = SSC1 inattivo 1 = SSC1 attivo	RecordT	16 bit
Canale del segnale di commutazione 2	5 (0x05)	R/W	0 = SSC2 inattivo	0 = SSC2 inattivo 1 = SSC2 attivo	RecordT	16 bit
Allarme polvere 1	6 (0x06)	R/W	0 = DA1 inattivo	0 = DA1 inattivo 1 = DA1 attivo	RecordT	16 bit
Allarme polvere 2	7 (0x07)	R/W	0 = DA2 inattivo	0 = DA2 inattivo 1 = DA2 attivo	RecordT	16 bit
Allarme di temperatura	8 (0x08)	R/W	0 = TA inattivo	0 = TA inattivo 1 = TA attivo	RecordT	16 bit
Cortocircuito	9 (0x09)	R/W	0 = SC inattivo	0 = SC inattivo 1 = SC attivo	RecordT	16 bit
Allarme goccia d'acqua 1	10 (0x10)	R/W	0 = WDA1 inattivo	0 = WDA1 inattivo 1 = WDA1 attivo	RecordT	16 bit
Allarme goccia d'acqua 2	11 (0x11)	R/W	0 = WDA2 inattivo	0 = WDA2 inattivo 1 = WDA2 attivo	RecordT	16 bit
Uscita 1 funzioni applicazione	12 (0x12)	R/W	0 = AF01 inattivo	0 = AF01 inattivo 1 = AF01 attivo	RecordT	16 bit

7.2.3. Parametri SSC

Nome parametro	Indice dec (hex)	Accesso	Valore predefinito	Intervallo di dati	Tipo di dati	Lunghezza
Selezione Teach-in	58 (0x3A)	RW	1 = SSC1	0 = Nessun canale selezionato 1 = SSC1 (Canale del segnale di commutazione 1) 2 = SSC2 (Canale del segnale di commutazione 2)	UIntegerT	8 bit
Risultato Teach-in	59 (0x3B)	-	-	-	-	-
Stato Teach-in	1 (0x01)	RO	0 = Inattivo	0 = Inattivo 1 = Successo 4 = Attesa comando 5 = Occupato 7 = Errore	RecordT	8 bit
Flag SP1 TP1 Teachpoint 1 di setpoint 1	2 (0x02)	RO	0 = Non OK	0 = Non OK 1 = OK	RecordT	8 bit
Flag SP1 TP2 TeachPoint 2 di setpoint 1	3 (0x03)	RO	0 = Non OK	0 = Non OK 1 = OK	RecordT	8 bit
Flag SP2 TP1 TeachPoint 1 di setpoint 2	4 (0x04)	RO	0 = Non OK	0 = Non OK 1 = OK	RecordT	8 bit
Flag SP2 TP2 TeachPoint 2 di setpoint 2	5 (0x05)	RO	0 = Non OK	0 = Non OK 1 = OK	RecordT	8 bit
Parametro SSC1 (canale del segnale di commutazione)	60 (0x3C)	-	-	-	-	-
Setpoint 1 (SP1)	1 (0x01)	R/W	100	0 ... 13 500	IntegerT	16 bit
Setpoint 2 (SP2)	2 (0x02)	R/W	13 500	0 ... 13 500	IntegerT	16 bit
Configurazione SSC1 (canale del segnale di commutazione)	61 (0x3D)	-	-	-	-	-
Logica di commutazione 1	1 (0x01)	R/W	0 = Attivo alto	0 = Attivo alto 1 = Attivo basso	UIntegerT	8 bit
Modalità	2 (0x02)	R/W	1 = Punto singolo	0 = Disattivato 1 = Punto singolo 2 = Finestra 3 = Punto doppio	UIntegerT	8 bit
Isteresi	3 (0x03)	R/W	25%	5 ... 99%	UIntegerT	16 bit
Parametro SSC2	62 (0x3E)	-	-	-	-	-
Setpoint 1 (SP1)	1 (0x01)	R/W	100	0 ... 13 500	IntegerT	16 bit
Setpoint 2 (SP2)	2 (0x02)	R/W	13 500	0 ... 13 500	IntegerT	16 bit
Configurazione SSC2	63 (0x3F)	-	-	-	-	-
Logica di commutazione 2	1 (0x01)	R/W	0 = Attivo alto	0 = Attivo alto 1 = Attivo basso	UIntegerT	8 bit
Modalità	2 (0x02)	R/W	0 = Disattivato	0 = Disattivato 1 = Punto singolo 2 = Finestra 3 = Punto doppio	UIntegerT	8 bit
Isteresi	3 (0x03)	R/W	25%	5 ... 99%	UIntegerT	16 bit

7.2.4. Parametri di uscita

Nome parametro	Indice dec (hex)	Accesso	Valore predefinito	Intervallo di dati	Tipo di dati	Lunghezza
Canale 1 (S01)	64 (0x40)	-	-	-	-	-
Modalità stage	1 (0x01)	R/W	1 = Uscita PNP	0 = Uscita disabilitata 1 = Uscita PNP 2 = Uscita NPN 3 = Uscita push-pull	UIntegerT	8 bit
Selettore di ingresso 1	2 (0x02)	R/W	1 = SSC 1	0 = Disattivato 1 = SSC 1 2 = SSC 2 3 = Allarme polvere 1 (DA1) 4 = Allarme polvere 2 (DA2) 5 = Allarme di temperatura (TA) 6 = Ingresso logico esterno 7 = Funzioni applicazione	UIntegerT	8 bit
Timer - Modalità	3 (0x03)	R/W	0 = Timer disabilitato	0 = Timer disabilitato 1 = Ritardo T-on 2 = Ritardo T-off 3 = Ritardo T-on/T-off 4 = Impulso al fronte di salita 5 = Impulso al fronte di discesa	UIntegerT	8 bit
Timer - Scala	4 (0x04)	R/W	0 = Millisecondi	0 = Millisecondi 1 = Secondi 2 = Minuti	UIntegerT	8 bit
Timer – Valore	5 (0x05)	R/W	0	0 ... 32.767	IntegerT	16 bit
Funzione logica	7 (0x07)	R/W	0 = Diretto	0 = Diretto 1 = AND 2 = OR 3 = XOR 4 = Set-reset Flip-Flop	UIntegerT	8 bit
Invertitore di uscita	8 (0x08)	R/W	0 = Non invertito (N.O.)	0 = Non invertito (Normalmente aperto) 1 = Invertito (Normalmente chiuso)	UIntegerT	8 bit
Canale 2 (S02)	65 (0x41)	-	-	-	-	-
Modalità stadio	1 (0x01)	R/W	1 = Uscita PNP	0 = Uscita disabilitata 1 = Uscita PNP 2 = Uscita NPN 3 = Uscita push-pull 4 = Ingresso logico digitale (attivo alto/ Pull-down) 5 = Ingresso logico digitale (attivo basso/Pull-up) 6 = Teach-in (attivo alto)	UIntegerT	8 bit
Selettore di ingresso 2	2 (0x02)	R/W	1 = SSC 1	0 = Disattivato 1 = SSC 1 2 = SSC 2 3 = Allarme polvere 1 (DA1) 4 = Allarme polvere 2 (DA2) 5 = Allarme di temperatura (TA) 6 = Ingresso logico esterno 7 = Funzioni applicazione	UIntegerT	8 bit
Timer - Modalità	3 (0x03)	R/W	0 = Timer disabilitato	0 = Timer disabilitato 1 = Ritardo T-on 2 = Ritardo T-off 3 = Ritardo T-on/T-off 4 = Impulso al fronte di salita 5 = Impulso al fronte di discesa	UIntegerT	8 bit
Timer - Scala	4 (0x04)	R/W	0 = Millisecondi	0 = Millisecondi 1 = Secondi 2 = Minuti	UIntegerT	8 bit
Timer – Valore	5 (0x05)	R/W	0	0 ... 32.767	IntegerT	16 bit
Funzione logica	7 (0x07)	R/W	0 = Diretto	0 = Diretto 1 = AND 2 = OR 3 = XOR 4 = Set-reset Flip-Flop	UIntegerT	8 bit
Invertitore di uscita	8 (0x08)	R/W	1 = Invertito (normalmente chiuso)	0 = Non invertito (normalmente aperto) 1 = Invertito (normalmente chiuso)	UIntegerT	8 bit

7.2.5. Parametri regolabili specifici del sensore

Nome parametro	Indice dec (hex)	Accesso	Valore predefinito	Intervallo di dati	Tipo di dati	Lunghezza
Selezione della regolazione locale o in remoto	68 (0x44)	R/W	1 = Regolazione del potenziometro	0 = Disabilitato 1 = Ingresso potenziometro 2 = Teach via cavo	UIntegerT	8 bit
Valore potenziometro	69 (0x45)	RO	70	70 ... 13 500	UIntegerT	16 bit
Preimpostazione applicazione sensore	71 (0x47)	R/W	0 = Normale	0 = Precisione normale/bassa (rapida) 1 = Elevata precisione (lenta) 2 = Personalizzata (scala del filtro)	UIntegerT	8 bit
Soglia di allarme temperatura	72 (0x48)	-	-	-	-	-
Soglia alta	1 (0x01)	R/W	70°C	-30 ... 70°C	IntegerT	16 bit
Soglia bassa	2 (0x02)	R/W	- 20°C	-30 ... 70°C	IntegerT	16 bit
Limiti di sicurezza ON/OFF	73 (0x49)	-	-	-	-	-
SSC 1 - Limite di sicurezza	1 (0x01)	R/W	20%	1 ... 100%	IntegerT	8 bit
SSC 2 - Limite di sicurezza	2 (0x02)	R/W	20%	1 ... 100%	IntegerT	8 bit
Scala del filtro	77 (0x4D)	R/W	1	1 ... 255	UIntegerT	8 bit
Indicatore a LED	78 (0x4E)	R/W	1 = Indicatore a LED attivo	0 = Indicatore a LED inattivo 1 = Indicatore a LED attivo 2 = Trova il mio sensore	UIntegerT	8 bit
Modalità isteresi	80 (0x50)	R/W	0 = Isteresi impostata manualmente	0 = Isteresi impostata manualmente 1 = Isteresi impostata automaticamente	UIntegerT	8 bit
Valore dell'isteresi automatica SSC1	81 (0x51)	-	-	-	-	-
Valore dell'isteresi automatica SP1	1 (0x01)	RO	-	5 ... 99%	UIntegerT	16 bit
Valore dell'isteresi automatica SP2	2 (0x02)	RO	-	5 ... 99%	UIntegerT	16 bit
Protezione da interferenze reciproche	84 (0x54)	R/W	0 = Spento	0 = Spento 1 = Modalità 1 sensore 2 = 2 sensori - sensore 1 3 = 2 sensori - sensore 2 4 = 3 sensori - sensore 1 5 = 3 sensori - sensore 2 6 = 3 sensori - sensore 3	UInteger	8 bit

7.2.6. Regolazione automatica

Nome parametro	Indice dec (hex)	Accesso	Valore predefinito	Intervallo di dati	Tipo di dati	Lunghezza
Impostazione regolazione automatica	85 (0x54)	-	-	-	-	-
Impostazione regolazione automatica	1 (0x01)	R/W	0 = Regolazione automatica disattivata	0 = Regolazione automatica disattivata 1 = Regolazione automatica attivata	UIntegerT	8 bit
Regola dimensioni finestra	2 (0x02)	R/W	20%	5 ... 50%	UIntegerT	8 bit
Adatta risoluzione	3 (0x03)	R/W	50%	5 ... 100%	UIntegerT	8 bit
Setpoint corretti	86 (0x56)	-	-	-	-	-
SSC1	4 (0x04)	RO	100	0 ... 13 500	UIntegerT	16 bit
SSC2	5 (0x05)	RO	100	0 ... 13 500	UIntegerT	16 bit

7.2.7. Funzioni applicazione

Nome parametro	Indice dec (hex)	Accesso	Valore predefinito	Intervallo di dati	Tipo di dati	Lunghezza
Selettore di funzioni applicazione	88 (0x58)	RO	0 = Nessuna funzione di applicazione selezionata	0 = Nessuna funzione di applicazione selezionata 1 = Velocità e lunghezza 2 = Riconoscimento pattern 3 = Divisore 4 = Monitoraggio di oggetti e spazio libero	UIntegerT	8 bit

7.2.7.1. Velocità e lunghezza

Nome parametro	Indice dec (hex)	Accesso	Valore predefinito	Intervallo di dati	Tipo di dati	Lunghezza
Impostazione	89 (0x59)	-	-	-	-	-
Modalità sensore	1 (0x01)	R/W	0 = Nessun ruolo selezionato	0 = Nessun ruolo selezionato 1 = Attiva sensore 2 = Sensore principale	UIntegerT	8 bit
Distanza tra i sensori	2 (0x02)	R/W	100 mm	25 ... 150 mm	UIntegerT	8 bit
Risultato	90 (0x5A)	-	-	-	-	-
Velocità oggetto	1 (0x01)	RO	-	0 ... 2 000 mm/sec	UIntegerT	16 bit
Lunghezza oggetto	2 (0x02)	RO	-	25 ... 60 000 mm	UIntegerT	16 bit
Stato	3 (0x03)	RO	0 = INATTIVO	0 = INATTIVO 1 = Misurazione in corso 2 = Velocità troppo alta 3 = Timeout 4 = Oggetto troppo lungo 5 = Errore nella logica	UIntegerT	8 bit

7.2.7.2. Riconoscimento pattern

Nome parametro	Indice dec (hex)	Accesso	Valore predefinito	Intervallo di dati	Tipo di dati	Lunghezza
Impostazione del riconoscimento pattern	91 (0x5B)	-	-	-	-	-
TimeOut	1 (0x01)	R/W	60 sec	1 ... 60 sec	UIntegerT	8 bit
Tolleranza	2 (0x02)	R/W	50 %	1 ... 200 %	UIntegerT	8 bit
Ruolo del sensore	3 (0x03)	R/W	0 = Nessun ruolo selezionato	0 = Nessun ruolo selezionato 1 = Attiva sensore 2 = Sensore principale	UIntegerT	8 bit
Risultato del riconoscimento pattern	92 (0x5C)	-	-	-	-	-
Pattern di riferimento	1 (0x01)	RO	0 = Non salvato	0 = Non salvato 1 = Salvato	UIntegerT	8 bit
N. di lati pattern di riferimento	2 (0x02)	RO	0	0 ... 20	UIntegerT	8 bit
N. di lati ultimo pattern	3 (0x03)	RO	0	0 ... 20	UIntegerT	8 bit
Stato del riconoscimento pattern	4 (0x04)	RO	0 = INATTIVO	0 = INATTIVO 1 = Misurazione in corso 2 = Corrispondenza pattern 3 = Timeout 4 = Troppi lati 5 = ERRORE conteggio LATI 6 = ERRORE temporizzazione LATO	UIntegerT	8 bit

7.2.7.2. Riconoscimento pattern (cont.)

Nome parametro	Indice dec (hex)	Accesso	Valore predefinito	Intervallo di dati	Tipo di dati	Lunghezza
Menu Osservazione						
Riconoscimento pattern	97 (0x61)	-	-	-	-	-
Marca temporale 1 ... 20	1 ... 20 (0x01 ... 14)	R/W	0	Marca temporale per ogni evento [ms]. Relativo all'avvio (tempo 0)	UIntegerT	16 bit
Marca temporale pattern 1 ... 20	21 ... 40 (0x15 ... 28)	R/W	0 = Nessun fronte	0 = Nessun fronte 1 = Fronte positivo 2 = Fronte negativo	UIntegerT	8 bit
Durata rilevamento oggetto	41 (0x29)	R/W	0 ms	0 ... 65 535 ms	UIntegerT	16 bit
Pattern di riferimento	42 (0x2A)	R/W	0 = Not Saved	0 = Not Saved 1 = Saved	UIntegerT	8 bit
N. di lati pattern di riferimento	43 (0x2B)	R/W	0	0 ... 20	UIntegerT	8 bit

7.2.7.3. Divisore

Nome parametro	Indice dec (hex)	Accesso	Valore predefinito	Intervallo di dati	Tipo di dati	Lunghezza
Impostazione del divisore e del contatore	93 (0x5D)	-	-	-	-	-
Limite del contatore	1 (0x01)	R/W	5	1 ... 65 535	UIntegerT	16 bit
Valore preimpostato contatore	2 (0x02)	R/W	0	0 ... 65 535	UIntegerT	16 bit
Risultato	94 (0x5E)	-	-	-	-	-
Valore del contatore	1 (0x01)	RO	-	0 ... 65 535	UIntegerT	16 bit

7.2.7.4. Monitoraggio di oggetti e spazio libero

Nome parametro	Indice dec (hex)	Accesso	Valore predefinito	Intervallo di dati	Tipo di dati	Lunghezza
Impostazione del monitoraggio di oggetti e spazio libero	95 (0x5F)	-	-	-	-	-
Durata minima rilevamento oggetto	1 (0x01)	R/W	500 ms	10 ... 60 000 ms	UIntegerT	16 bit
Durata massima rilevamento oggetto	2 (0x02)	R/W	10 000 ms	10 ... 60 000 ms	UIntegerT	16 bit
Durata minima rilevamento spazio libero	3 (0x03)	R/W	500 ms	10 ... 60 000 ms	UIntegerT	16 bit
Durata massima rilevamento spazio libero	4 (0x04)	R/W	10 000 ms	10 ... 60 000 ms	UIntegerT	16 bit
Risultato del monitoraggio di oggetti e spazio libero	96 (0x60)	-	-	-	-	-
Durata rilevamento oggetto	1 (0x01)	RO	0 ms	0 ... 60 000 ms	UIntegerT	16 bit
Durata rilevamento spazio libero	2 (0x02)	RO	0 ms	0 ... 60 000 ms	UIntegerT	16 bit
Stato dell'oggetto	3 (0x03)	RO	0 = INATTIVO	0 = INATTIVO 1 = Misurazione in corso 2 = Entro i limiti 3 = Tempo troppo lungo 4 = Tempo troppo breve	UIntegerT	8 bit
Stato dello spazio libero	4 (0x04)	RO	0 = INATTIVO	0 = INATTIVO 1 = Misurazione in corso 2 = Entro i limiti 3 = Tempo troppo lungo 4 = Tempo troppo breve	UIntegerT	8 bit

7.2.8. Parametri diagnostici

Nome parametro	Indice dec (hex)	Accesso	Valore predefinito	Intervallo di dati	Tipo di dati	Lunghezza
Diagnostica sensori						
Malf funzionamento front-end	209 (0xD1)	RO	0 = OK	0 = OK. 1 = Guasto.	IntegerT	8 bit
EE_MemoryFailure (durante l'accensione)	208 (0xD0)	-	-	-	-	-
Malf funzionamento memoria	1 (0x01)	RO	0 = OK	0 = OK. 1 = Guasto.	IntegerT	8 bit
Diagnostica temperatura						
Temperatura massima – sempre alta	203 (0xCB)	RO	- °C	-50 ... 150 [°C]	IntegerT	16 bit
Temperatura minima – sempre bassa	204 (0xCC)	RO	- °C	-50 ... 150 [°C]	IntegerT	16 bit
Temperatura massima dall'ultima accensione	205 (0xCD)	RO	- °C	-50 ... 150 [°C]	IntegerT	16 bit
Temperatura minima dall'ultima accensione	206 (0xCE)	RO	- °C	-50 ... 150 [°C]	IntegerT	16 bit
Temperatura attuale	207 (0xCF)	RO	- °C	-50 ... 150 [°C]	IntegerT	16 bit
Minuti oltre la temperatura massima	211 (0xD3)	RO	0 min	0 ... 2 147 483 647 [min]	IntegerT	32 bit
Minuti al di sotto della temperatura minima	212 (0xD4)	RO	0 min	0 ... 2 147 483 647 [min]	IntegerT	32 bit
Diagnostica funzionamento						
Ore di funzionamento	201 (0xC9)	RO	0 h	0 ... 2 147 483 647 [h]	IntegerT	32 bit
Numero di accensione	202 (0xCA)	RO	0	0 ... 2 147 483 647	IntegerT	32 bit
Contatore di rilevamento SSC1	210 (0xD2)	RO	0	0 ... 2 147 483 647	IntegerT	32 bit
Contatore degli eventi di manutenzione	213 (0xD5)	RO	0	0 ... 2 147 483 647	IntegerT	32 bit
Contatore dei download	214 (0xD6)	RO	0	0 ... 65 536	UIntegerT	16 bit
Quality of Teach (Qualità di Teach)	75 (0x4B)	RO	-	0 ... 255	UIntegerT	8 bit
Quality of Run (Qualità di esecuzione)	76 (0x4C)	RO	-	0 ... 255	UIntegerT	8 bit
Riserva funzionale	83 (0x53)	RO	-	1 ... 255%	UIntegerT	8 bit
Conteggio errori	32 (0x20)	RO	0	0 ... 65 535	UIntegerT	16 bit
Stato dispositivo	36 (0x24)	RO	0 = Il dispositivo funziona correttamente	0 = Il dispositivo funziona correttamente 1 = Manutenzione necessaria 2 = Fuori specifica 3 = Controllo funzionale 4 = Guasto	UIntegerT	8 bit
Stato dettagliato dispositivo	37 (0x25)	-	-	-	-	-
Errore di temperatura	-	RO	-	-	OctetStringT	3 byte
Temperatura eccessiva	-	RO	-	-	OctetStringT	3 byte
Temperatura insufficiente	-	RO	-	-	OctetStringT	3 byte
Cortocircuito	-	RO	-	-	OctetStringT	3 byte
Manutenzione necessaria	-	RO	-	-	OctetStringT	3 byte
Event Configuration						
Configurazione degli eventi	74 (0x4A)	-	-	-	-	-
Evento di manutenzione (0x8C30)	1 (0x01)	R/W	0 = Evento di manutenzione Inattivo	0 = Evento di manutenzione Inattivo 1 = Evento di manutenzione Attivo	RecordT	16 bit
Evento errore di temperatura (0x4000)	2 (0x02)	R/W	0 = Evento errore di temperatura inattivo	0 = Evento errore di temperatura inattivo 1 = Evento errore di temperatura attivo	RecordT	16 bit
Evento di temperatura eccessiva (0x4210)	3 (0x03)	R/W	0 = Evento di temperatura eccessiva inattivo	0 = Evento di temperatura eccessiva inattivo 1 = Evento di temperatura eccessiva attivo	RecordT	16 bit
Evento di temperatura insufficiente (0x4220)	4 (0x04)	R/W	0 = Evento di temperatura insufficiente inattivo	0 = Evento di temperatura insufficiente inattivo 1 = Evento di temperatura insufficiente attivo	RecordT	16 bit
Evento di corto circuito (0x7710)	5 (0x05)	R/W	0 = Evento di corto circuito inattivo	0 = Evento di corto circuito inattivo 1 = Evento di corto circuito attivo	RecordT	16 bit



CARLO GAVAZZI

IO-Link fotocelle

PD30ETDx10BPxxIO

Instruction Manual

Betriebsanleitung

Manuel d'instructions

Manual de instrucciones

Manuale d'istruzione

Brugervejledning

使用手册

Carlo Gavazzi Industri Over Hadstenevej 40, 8370 Hadsten, Danmark

1. Indledning	214
1.1. Beskrivelse	214
1.2. Dokumentationens gyldighed	214
1.3. Hvem skal bruge denne dokumentation.	214
1.4. Anvendelse af produktet	214
1.5. Sikkerhedsforholdsregler.	214
1.7. Akronymer	215
2. Produkt	216
2.1. Primære funktioner	216
2.2. Identifikationsnummer.	216
2.3. Driftstilstande	217
2.3.1. SIO-modus	217
2.3.2. IO-Link-modus	217
2.3.3. Procesdata	218
2.4. Udgangsparametre	219
2.4.1. Sensorfronten	220
2.4.1.1. SSC (koblingssignalkanal)	220
2.4.1.2. Koblingspunktmodus	220
2.4.1.3. Hystereseindstillinger	221
2.4.1.4. Støvalarm 1 og Støvalarm 2	221
2.4.1.5. Vanddråbealarm 1 og Vanddråbealarm 2	221
2.4.1.6. Temperaturalarm (TA)	222
2.4.1.7. Ekstern indgang	222
2.4.2. Automatisk justering	222
2.4.3. Indgangsvælger	222
2.4.4. Logikfunktionsblok	222
2.4.5. Timer (Kan indstilles individuelt for Ud1 og Ud2)	224
2.4.5.1. Timermodus	224
2.4.5.1.1. Deaktiveret	224
2.4.5.1.2. Tændeforsinkelse (T-on)	224
2.4.5.1.3. Slukkeforsinkelse (T-off)	225
2.4.5.1.4. Tænde- og slukkeforsinkelse (T-on og T-off)	225
2.4.5.1.5. Monostabil forflanke	225
2.4.5.1.6. Monostabil bagflanke	226
2.4.5.2. Timerskala	226
2.4.5.3. Timerværdi	226
2.4.6. Udgangsinverter	226
2.4.7. Udgangstrinmodus	226
2.4.8. Applikationsfunktioner	227
2.4.8.1. Hastighed og længde	227
2.4.8.1.1. Betingelser	227
2.4.8.1.2. Hastighed og længde – opsætningsprocedure	227
2.4.8.2. Mønstergenkendelse	228
2.4.8.2.1. Betingelser	228
2.4.8.2.2. Mønstergenkendelse – opsætningsprocedure	228
2.4.8.3. Opdelingsfunktion	230
2.4.8.3.1. Betingelser	230
2.4.8.3.2. Opdelingsfunktion – opsætningsprocedure	230
2.4.8.4. Emne- og afstandsovervågning	231
2.4.8.4.1. Betingelser	231
2.4.8.4.2. Emne- og afstandsovervågning – opsætningsprocedure	231
2.5. Sensorspecifikke justerbare parametre	232
2.5.1. Valg af lokal justering eller fjernjustering	232
2.5.2. Trimmerdata	232
2.5.3. Procesdatakonfiguration	232
2.5.4. Valg af sensormåling	233
2.5.5. Temperaturalarm-tærskel	233
2.5.6. Sikkerhedsgrænser	233
2.5.6.1. Stabil TIL	233
2.5.6.2. Stabil FRA	233

2.5.7. Hændelseskonfiguration	233
2.5.8. Kvalitet af kørsel QoR	234
2.5.9. Kvalitet af indlæring QoT	234
2.5.10. Funktionsreserve	235
2.5.11. Filterskalering	235
2.5.12. Gensidig interferens	235
2.5.13. LED-indikering	235
2.5.14. Hysteresemodus	235
2.5.15. Automatisk hystereseværdi	235
2.6. Indlæringsprocedure ved hjælp af SCTL55 eller en IO-Link-master	236
2.6.1. Ekstern indlæring (Teach-by-wire)	236
2.6.2. Indlæring fra IO-Link-masteren eller Smart-konfiguratoren (SCTL55)	236
2.6.2.1. Enkeltpunktmodus-procedure	236
2.6.2.2. Topunktmodus-procedure	238
2.6.2.3. Vinduesmodusprocedure	240
2.7. Diagnoseparametre	241
2.7.1. Driftstimer	241
2.7.2. Antal tænd/sluk-cykler [cyklusser]	241
2.7.3. Maks. temperatur – absolut højeste [°C]	241
2.7.4. Min. temperatur – absolut laveste [°C]	241
2.7.5. Maks. temperatur siden sidste opstart [°C]	241
2.7.6. Min. temperatur siden sidste opstart [°C]	241
2.7.7. Aktuelle temperatur [°C]	241
2.7.8. Detekteringstæller [cyklusser]	241
2.7.9. Minutter over maks. temperatur [min]	241
2.7.10. Minutter under min. temperatur [min]	241
2.7.11. Downloadtæller	241
3. Ledningsdiagrammer	242
4. Idriftsættelse	242
5. Drift	243
5.1. Brugergænseflade på PD30ETDx10BPxxIO	243
6. IODD-fil og fabriksindstilling	244
6.1. IODD-fil til en IO-Link-enhed	244
6.2. Fabriksindstillinger	244
7. Bilag	244
7.1. Akronymmer	244
7.2. IO-Link-enhedsparametre til PD30ETD IO-Link	245
7.2.1. Enhedsparametre	245
7.2.2. Observering	245
7.2.3. SSC-parametre	246
7.2.4. Udgangsparametre	247
7.2.5. Sensorspecifikke justerbare parametre	248
7.2.6. Automatisk justering	248
7.2.7. Applikationsfunktion	249
7.2.7.1. Hastighed og længde	249
7.2.7.2. Mønstergenkendelse	249
7.2.7.3. Deler	250
7.2.7.4. Emne- og afstandsovervågning	250
7.2.8. Diagnoseparametre	251
Funktionsreserve	291
Dimensioner	291
Aftastningsdiagram	292
Installationsråd og -vink	293

1. Indledning

Denne vejledning er en referenceguide til Carlo Gavazzi IO-Link-fotoceller PD30ETDx10BPxxIO. Den beskriver, hvordan produktet installeres, konfigureres og benyttes til det tilsigtede formål.

1.1. Beskrivelse

Carlo Gavazzi fotoceller er enheder, der er konstrueret og fremstillet i overensstemmelse med de internationale IEC-standarder og underlagt EF-direktiverne Lavspændingsdirektivet (2014/35/EU) og EMC-direktivet (2014/30/EU).

Alle rettigheder til dette dokument forbeholdes af Carlo Gavazzi Industri, og kopier må kun udfærdiges til intern brug.

Forslag til forbedringer af dette dokument er altid velkomne.

1.2. Dokumentationens gyldighed

Denne vejledning gælder kun for PD30ETDx10BPxxIO-fotoceller med IO-Link, og kun indtil ny dokumentation udgives.

1.3. Hvem skal bruge denne dokumentation

Denne brugervejledning beskriver funktion, drift og installation af produktet til dets tilsigtede anvendelse. Denne vejledning indeholder vigtige oplysninger vedr. installation og skal læses og forstås i dens helhed af specialiseret personale, som håndterer disse fotoceller.

Vi anbefaler på det kraftigste, at du læser vejledningen omhyggeligt, inden du installerer sensoren. Gem vejledningen til fremtidig anvendelse. Installationsvejledningen henvender sig til kvalificeret teknisk personale.

1.4. Anvendelse af produktet

Disse fotoelektriske objektafstersensorer er beregnet til at fungere som sensorer, der tilføres elektrisk energi. Det vil sige, at når modtageren registrerer en tilstrækkelig mængde udsendt lys, så reagerer sensoren og skifter udgange. Det signalniveau, der modtages, kan aflæses ved hjælp af procesdataene i IO-Link-modus.

PD30ETDx10BPxxIO-sensorerne kan fungere med eller uden IO-Link-kommunikation. En SCTL55 eller en IO-Link-master gør det muligt at betjene og konfigurere disse enheder.

1.5. Sikkerhedsforholdsregler

Denne sensor må ikke benyttes i anvendelser, hvor personsikkerhed er afhængig af sensorens funktion (Sensoren er ikke konstrueret i overensstemmelse med EU Maskindirektivet).

Installation og brug skal udføres af undervist teknisk personale med grundlæggende viden om elinstallation. Installatøren har ansvaret for korrekt installation i overensstemmelse med lokale sikkerhedsbestemmelser og skal sikre, at en defekt sensor ikke medfører nogen form for fare for personer eller udstyr. Hvis sensoren er defekt, skal den udskiftes og beskyttes imod uautoriseret brug.

1.6. Andre dokumenter

Der er adgang til databladet, IODD-filen og IO-Link-parametervejledningen på internettet på adressen <http://gavazziautomation.com>

1.7. Akronymmer

I/O	Indgang/udgang
PD	Procesdata
PLC	Programmerbar logikstyring
SIO	Standardindgang/-udgang
SP	Sætpunkter
IODD	I/O-enhedsbeskrivelse
IEC	Internationale elektrotekniske kommission
NO	Sluttende kontakt
NC	Brydende kontakt
NPN	Træk belastning til jord
PNP	Træk belastning til V+
Push-Pull	Træk belastning til jord eller V+
QoR	Kvalitet af kørsel
QoT	Kvalitet af indlæring
UART	Universel asynkron sender-modtager
SO	Koblingsudgang
SSC	Koblingssignalkanal
DA	Støvalarm
WDA	Vanddråbealarm
AFO	Applikationsfunktioner, udgang
TA	Temperaturalarm

2. Produkt

2.1. Primære funktioner

Fotoelektriske IO-Link Carlo Gavazzi-objektaftastere sensorer med fire ledninger er bygget efter den højeste standard og fås med et AISI316L-hus af rustfrit stål, som kan holde til brug i krævende omgivelser. Godkendt i henhold til IP69K og ECOLAB.



De kan fungere i standard I/O-modus (SIO), som er deres standarddriftsmodus.

Når de slutes til en SCTL55 eller IO-Link-master, skifter de automatisk til IO-Link-modus og kan betjenes og uden videre konfigureres ved fjernstyring.

Takket være deres IO-Link-grænseflade er disse enheder langt mere intelligente og byder på mange supplerende konfigurationsmuligheder som f.eks. indstillelig registreringsafstand og hysteres samt timerfunktioner på udgangen. Avancerede funktioner som f.eks. logikfunktionsblok og muligheden for at konvertere en udgang til en ekstern indgang gør sensoren ekstremt fleksibel.

Applikationsfunktioner såsom Mønstergenkendelse, Overvågning af hastighed og længde, Opdelingsfunktion samt Emne- og afstandsovervågning er decentrale funktioner, der er beregnet til at løse specifikke tasteopgaver.

2.2. Identifikationsnummer

Kode	Mulighed	Beskrivelse
P	-	Fotocelle
D	-	Rektangulært hus
30	-	Husstørrelse
E	-	Rustfrit stålhus - AISI316L
T	-	Toptrimmer
D	-	Diffus reflektiv
	I	Infrarødt lys
	R	Rødt lys
10	-	1 000 mm registreringsafstand
B	-	Valgbare funktioner: NPN, PNP, Push-Pull, ekstern indgang (kun ben 2) ekstern indlæringsindgang (kun ben 2)
P	-	Valgbar: NO eller NC
	A2	2 meter PVC-kabel
	M5	M8, 4-polet bøsning
IO	-	IO-Link-version

Supplerende tegn kan benyttes til tilpassede versioner.

2.3. Driftstilstande

IO-Link fotoceller leveres med to koblingsudgange og kan fungere i to forskellige modi: SIO-modus (standard I/O-modus) eller IO-Link-modus (ben 4).

2.3.1. SIO-modus

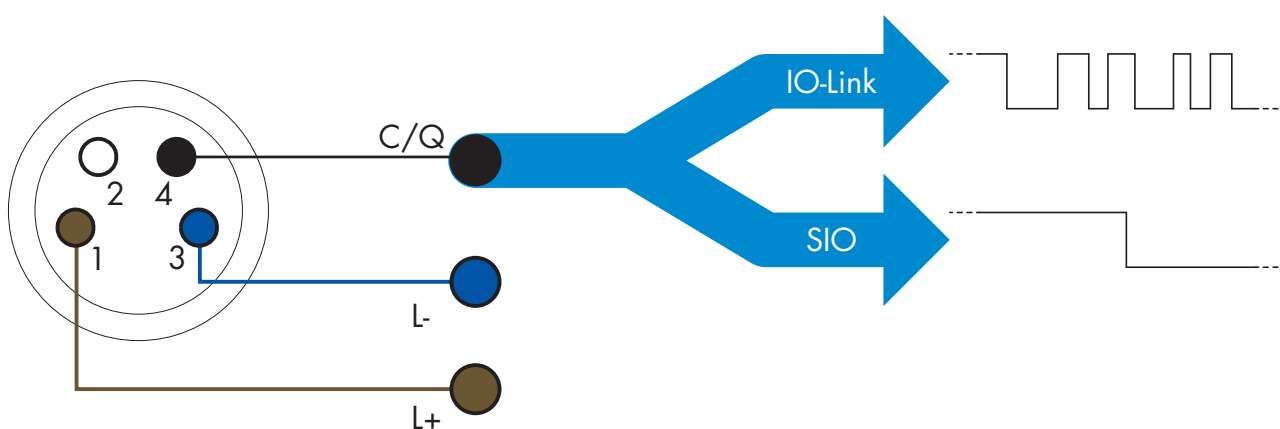
Når sensoren fungerer i SIO-modus (standard), kræves en SCTL55 eller IO-Link master ikke. Enheden fungerer på samme måde som en almindelig fotocelle og kan betjenes via en kommunikationsbus eller en styringsenhed (f.eks. PLC), når den er sluttet til sin PNP, NPN eller digitale Push-Pull-indgange (standard I/O-port). En af de vigtigste fordele ved disse fotoceller, er, at de kan konfigureres via en SCTL55 eller IO-Link-master og derefter beholdes de seneste parameter- og konfigurationsindstillinger, når fotocellerne frakobles masteren. Således er det f.eks. muligt at konfigurere sensorens udgange individuelt som PNP, NPN eller Push-Pull – eller at tilføje timerfunktioner som tænde- og slukkeforsinkelse eller logikfunktioner og derved opfylde adskillige anvendelseskrav med samme sensor.

2.3.2. IO-Link-modus

IO-Link er en standardiseret IO-teknologi, der anerkendes på verdensplan som international standard (IEC 61131-9). Den betragtes i dag som "USB-grænsefladen" for sensorer og aktuatorer inden for industriel automation.

Når sensoren er forbundet med en SCTL55 eller IO-Link-port, sender IO-Link-masteren en vækkeanmodning (vækkeimpuls) til sensoren, hvorved der automatisk skiftes til IO-Link-modus: Punkt-til-punkt tovejskommunikation påbegyndes derefter automatisk imellem masteren og sensoren.

IO-Link-kommunikation kræver kun almindeligt 3-trådet uskærmet kabel med en maksimal længde på 20 m.



IO-Link-kommunikation finder sted med 24 V impulsmodulation, standardiseret UART-protokol via koblings- og kommunikationskablets (kombineret koblingsstatus og datakanal C/Q) BEN 4 eller den sorte ledning.

En M8 4-benet hanbøsning har eksempelvis:

- Positiv strømforsyning: ben 1, brun
- Negativ strømforsyning: ben 3, blå
- Digital udgang 1: ben 4, sort
- Digital udgang 2: ben 2, hvid

Transmissionshastigheden på PD30ETDx10BPxxIO-sensorer er 38,4 kBaud (COM2).

Når den er forbundet med IO-Link-porten, har masteren fjernadgang til samtlige sensorens parametre og til avancerede funktioner, som muliggør ændring af indstillinger og konfiguration under driften, og som muliggør diagnosefunktioner som f.eks. temperaturadvarsler, temperaturalarmer og procesdata.

Takket være IO-Link er det muligt at få vist producentoplysningerne og artikelnummeret (servicedata) på den tilsluttede enhed, begyndende fra V1.1. Takket være datalagringsfunktionen er det muligt at udskifte enheden og automatisk få alle oplysningerne, der er lagret i den gamle enhed, overført til udskiftningseenheden.

Adgang til interne parametre giver brugeren mulighed for at se, hvordan sensoren arbejder, f.eks. ved aflæsning af den interne temperatur.

Hændelsesdata giver brugeren mulighed for at få diagnoseoplysninger, herunder f.eks. om en fejl, en alarm, en advarsel eller et kommunikationsproblem.

Der er to forskellige kommunikationstyper imellem sensoren og masteren, og de fungerer uafhængigt af hinanden:

- Cyklisk for procesdata og værdistatus – disse data udveksles cyklisk.
- Acyklisk for parameterkonfiguration, identifikationsdata, diagnoseoplysninger og hændelser (f.eks. fejlmeddelelser eller advarsler) – disse data kan udveksles på anmodning.

2.3.3. Procesdata

Procesdata viser som standard følgende parametre som aktive: 16-bit analog værdi, koblingsudgang 1 (SO1) og koblingsudgang 2 (SO2).

Følgende parametre kan indstilles som inaktive: SSC1, SSC2, TA, SC, DA1, DA2, AFO1, WDA1, WDA2.

Ved ændring af procesdatakonfigurationsparameteren kan brugeren imidlertid vælge også at aktivere statussen for de inaktive parametre. På denne måde kan flere tilstande iagttages i sensoren på samme tid.

Procesdata kan konfigureres. Se 2.5.3. Procesdatakonfiguration.

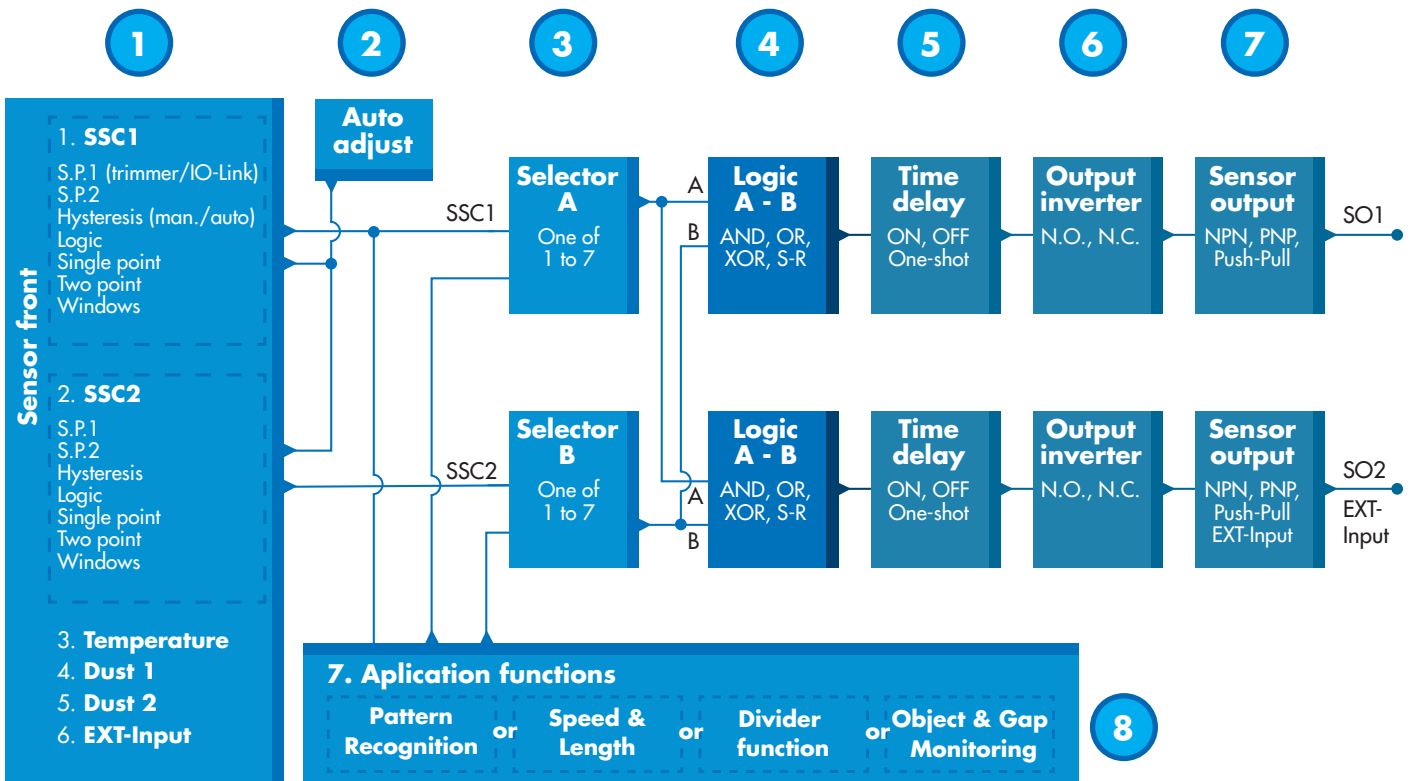
Byte 0	31	30	29	28	27	26	25	24
	MSB							
Byte 1	23	22	21	20	19	18	17	16
								LSB
Byte 2	15	14	13	12	11	10	9	8
			SC	TA	DA2	DA1	SSC2	SSC1
Byte 3	7	6	5	4	3	2	1	0
	AFO1				WDA2	WDA1	SO2	SO1

4 byte

Analog værdi 16 ... 31 (16 BIT)

2.4. Udgangsparametre

Syv registreringsfunktioner og fire applikationsfunktioner kan vælges. Disse værdier kan justeres uafhængigt og bruges som kilde for koblingsudgang 1 eller 2, og derudover kan der vælges en ekstern indgang for SO2. Når en af disse kilder er valgt, er det muligt at konfigurere sensorens udgang med en SCTL55 eller IO-Link-master ved at følge de syv trin, der er vist i Opsætning af koblingsudgang nedenfor. Når sensoren er afbrudt fra masteren, skifter den til SIO-modus og beholder den seneste konfigurationsindstilling.



2.4.1. Sensorfronten

Objektaftastersensoren sender lys mod et emne og registrerer det lysniveau, der tilbagekastes fra emnet. Når energien i det lysniveau, der modtages, overstiger et foruddefineret niveau, skifter sensoren udgang. Tæstefstanden afhænger af emnets farve, form og struktur.

2.4.1.1. SSC (koblingssignalkanal)

Der er følgende indstillinger til rådighed til detektering af tilstedeværelse (eller fravær af tilstedeværelse) af en genstand foran sensorens overflade: SSC1 eller SSC2. Sætpunkterne kan fastlægges fra 100 ... 1 000 [mm]*.

* Det frarådes at anvende indstillinger, som er over de maksimale 1 000 mm. Under optimale betingelser (genstandens overflade, omgivende lys og EMC-støj mv.) kan denne afstand imidlertid indstilles til en højere værdi.

2.4.1.2. Koblingspunktmodus:

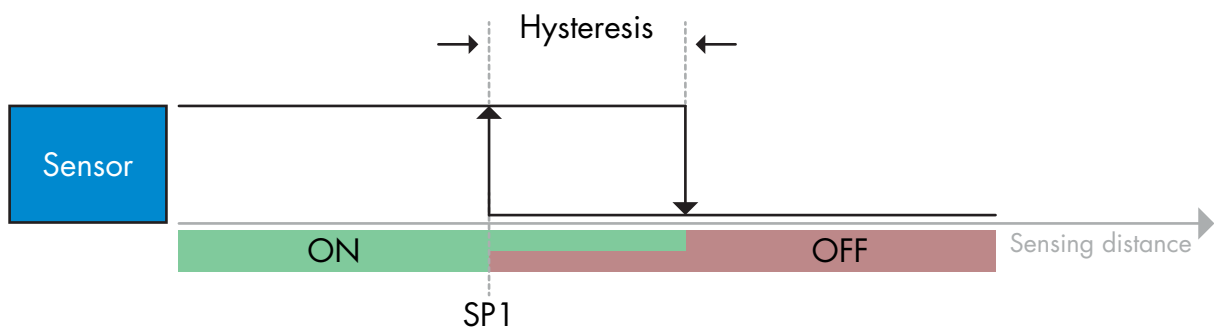
Hver SSC-kanal kan indstilles til at fungere i 3 modi eller deaktiveres. Indstillingen koblingspunktmodus kan bruges til at konfigurere mere avanceret opførsel for udgangene. Følgende koblingspunktmodi kan vælges for at ændre opførslen for SSC1 og SSC2

Deaktiveret

SSC1 eller SSC2 kan deaktiveres individuelt.

Enkeltpunktmodus

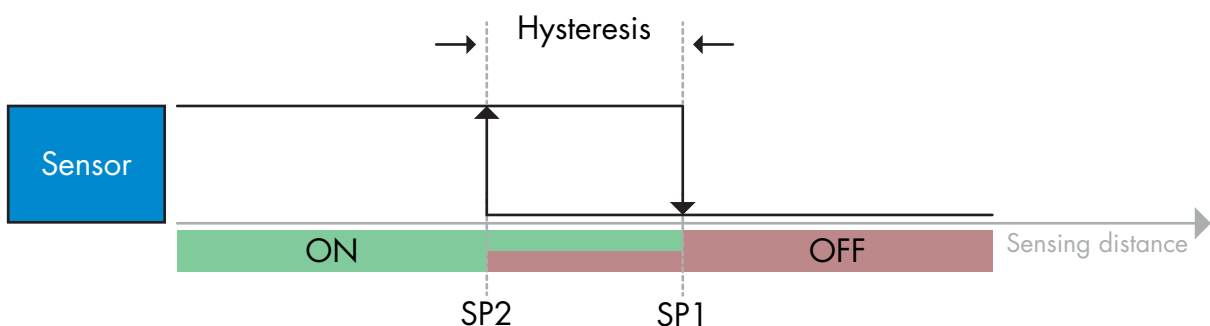
Koblingsoplysningerne ændres, når måleværdien passerer den tærskel, der er defineret i sætpunkt SP1, med stigende eller faldende måleværdier under hensyntagen til hysteresen.



Eksempel på tilstedeværelsesdetektering – med ikke-inverteret logik

Topunktmodus

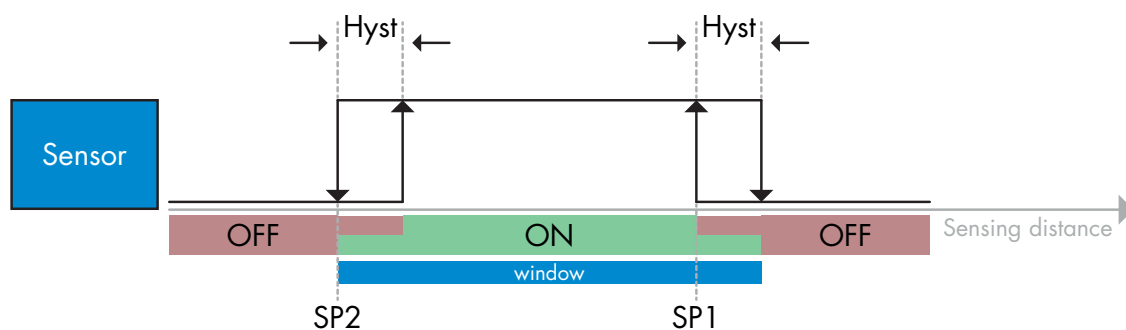
Koblingsoplysningerne ændrer sig, når måleværdien passerer tærsklen, der er defineret i sætpunkt SP1. Denne ændring sker kun med stigende måleværdier. Koblingsoplysningerne ændrer sig også, når måleværdien passerer tærsklen, der er defineret i sætpunkt SP2. Denne ændring sker kun med faldende måleværdier. Der tages ikke hensyn til hysteresen i denne situation.



Eksempel på tilstedeværelsesdetektering – med ikke-inverteret logik

Vinduesmodus

Koblingsoplysningerne ændres, når måleværdien passerer de tærskler, der er defineret i sætpunkt SP1 og sætpunkt SP2, med stigende eller faldende måleværdier under hensyntagen til hysteresen.



Eksempel på tilstedeværelsesdetektering – med ikke-inverteret logik

2.4.1.3. Hystereseindstillinger

Hysteresen kan enten være automatisk eller manuel for SSC1 og kun manuel for SSC2. Hysteresen vælges som en procentdel af den værdi, der er valgt for SP1 og SP2.

Bemærk: Når trimmeren er valgt, er standardhysteresen Automatisk.

Automatisk hysteresese:

Automatisk hysteresese giver stabil drift i de fleste anvendelsessituationer.

Hysteresen beregnes med reference til SP1/SP2, og den aktuelle værdi kan læses ved hjælp af parameteren "SSC1 Auto-hysteresese" og er som regel 25 % af den værdi, der er angivet for SP1 og SP2.

Manuel hysteresese:

Når manuel hysteresese vælges, kan hysteresese ændres mellem 5 ... 99 %.

Til anvendelsesformål, som fordrer en anden hysteresese end den automatiske, kan hysteresese konfigureres manuelt. Denne funktion gør sensoren mere alsidig.

Bemærk: Der bør tages højde for den specifikke anvendelse, hvis der vælges en hysteresese, som er lavere end den automatiske hysteresese.

2.4.1.4. Støvalarm 1 og Støvalarm 2

Sikkerhedsgrænsen kan indstilles individuelt. Den er defineret som en værdi mellem det punkt, hvor tasteudgangen skiftes, og den værdi, hvor sensoren detekterer sikkert, også selv om der er en lille smule ophobet støv.

Se 2.6.6. Sikkerhedsgrænsen.

2.4.1.5. Vanddråbealarm 1 og Vanddråbealarm 2

Sikkerhedsgrænsen kan indstilles individuelt. Den er defineret som en værdi mellem det punkt, hvor tasteudgangen skiftes, og den værdi, hvor sensoren detekterer sikkert, også selv om der er en lille smule ophobning af vanddråber.

Se 2.6.6. Sikkerhedsgrænsen.

2.4.1.6. Temperaturalarm (TA)

Sensoren overvåger hele tiden den interne temperatur.

Det er ved hjælp af temperaturalarmindstillingen muligt at få en alarm fra sensoren, hvis temperaturtærskler overskrides. Se §2.5.5.

Det er muligt at vælge to uafhængige indstillinger for temperaturalarm. Én for alarmen til den maksimale temperatur og én til alarmen for minimumstemperaturen.

Det er muligt at læse sensorens temperatur via de acykliske IO-Link-parameterdata.

BEMÆRK!

Temperaturen, der måles af sensoren, vil altid være højere end omgivelsestemperaturen, hvilket skyldes intern opvarmning.

Forskellen imellem omgivelsestemperaturen og den interne temperatur påvirkes af måden, som sensoren er monteret på i anvendelsen.

2.4.1.7. Ekstern indgang

Udgang 2 (SO2) kan konfigureres som en ekstern indgang, hvorved eksterne signaler kan føres ind i sensoren. Dette kan ske fra en anden sensor eller fra en PLC eller direkte fra en maskinudgang.

2

2.4.2. Automatisk justering

Auto adjustment function can be enabled to compensate for buildup of dust or water drops

Funktionen til automatisk justering kan aktiveres, så systemet tager højde for ophobning af støv eller vanddråber.

Med udgangspunkt i et foruddefineret sætpunkt fra trimmeren og IO-Link-parametrene SSC1_SP1 / SSC2_SP1 eller ved hjælp af Indlæring overvåger sensoren hele tiden de signaler, der modtages fra emnet og baggrunden, og justerer sætpunktet op eller ned, hvis en stabil TIL- eller FRA-status ikke er mulig.

Støvalarmen aktiveres, hvis Automatisk justering er nået til den maksimale følsomhed, og rengøring er nødvendig.

Vanddråbealarmen aktiveres, hvis Automatisk justering er nået til den minimale følsomhed, og rengøring er nødvendig.

3

2.4.3. Indgangsvælger

Denne funktionsblok giver brugeren mulighed for at vælge et af signalerne fra "sensorfronten" til kanal A eller B. Kanal A og B: Kan vælge imellem SSC1, SSC2, Støvalarm 1, Støvalarm 2, Vanddråbealarm 1, Vanddråbealarm 2, Temperaturalarm og ekstern indgang.

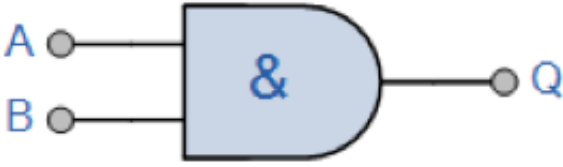
4

2.4.4. Logikfunktionsblok

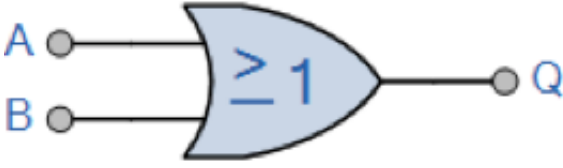
I logikfunktionsblokken kan de valgte signaler fra indgangsvælgeren tilføjes en logikfunktion direkte uden brug af en PLC – hvilket giver mulighed for decentral beslutningstagning.

De tilgængelige logikfunktioner er: AND, OR, XOR, SR-FF.

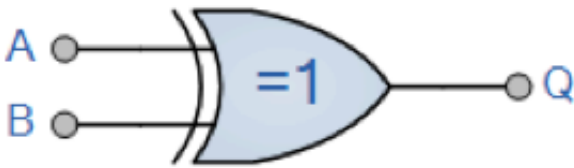
AND-funktion

Symbol	Sandtabel		
 <p>AND-gate med 2 indgange</p>	A	B	Q
	0	0	0
	0	1	0
	1	0	0
	1	1	1
Boolesk udtryk Q = A.B	Læs A OG B giver Q		

OR-funktion

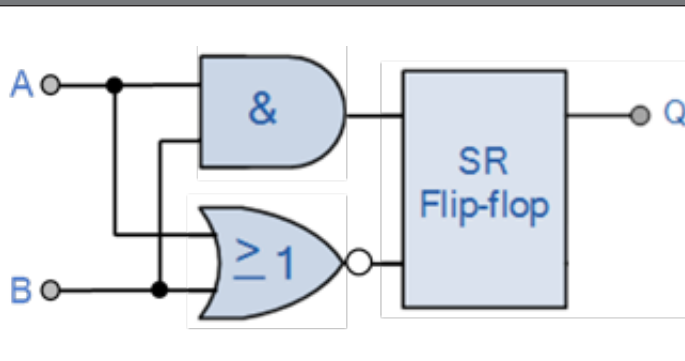
Symbol	Sandtabel		
 <p>OR-gate med 2 indgange</p>	A	B	Q
	0	0	0
	0	1	1
	1	0	1
	1	1	1
Boolesk udtryk Q = A + B	Læs som A ELLER B giver Q		

XOR-funktion

Symbol	Sandtabel		
 <p>XOR-gate med 2 indgange</p>	A	B	Q
	0	0	0
	0	1	1
	1	0	1
	1	1	0
Boolesk udtryk Q = A ⊕ B	A ELLER B, men IKKE BEGGE giver Q		

"SR-FF med gate"-funktion

Funktionen er beregnet til f.eks.: start- eller stopsignal på et buffertransportbånd ved hjælp af to sammenkoblede sensorer, alt efter om den tilstødende fragt eller modtagertransportbåndet er fyldt eller ej.

Symbol	Sandtabel		
	A	B	Q
	0	0	0
	0	1	X
	1	0	X
	1	1	1

X – ingen ændringer på udgangen.

5

2.4.5. Timer (Kan indstilles individuelt for Ud1 og Ud2)

Timeren giver brugeren mulighed for at arbejde med forskellige timerfunktioner ved at redigere de 3 timerparametre:

- Timermodus
- Timerskala
- Timerværdi

2.4.5.1. Timermodus

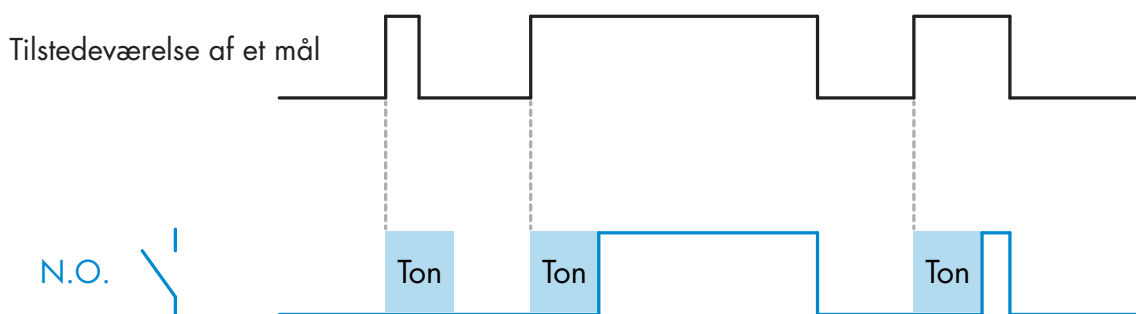
Vælger hvilken type timerfunktion der skal indføres på koblingsudgangen. Følgende er mulige:

2.4.5.1.1. Deaktiveret

Denne valgmulighed deaktiverer timerfunktionen, uanset hvordan timerskalaen og timerforsinkelsen er konfigureret.

2.4.5.1.2. Tændeforsinkelse (T-on)

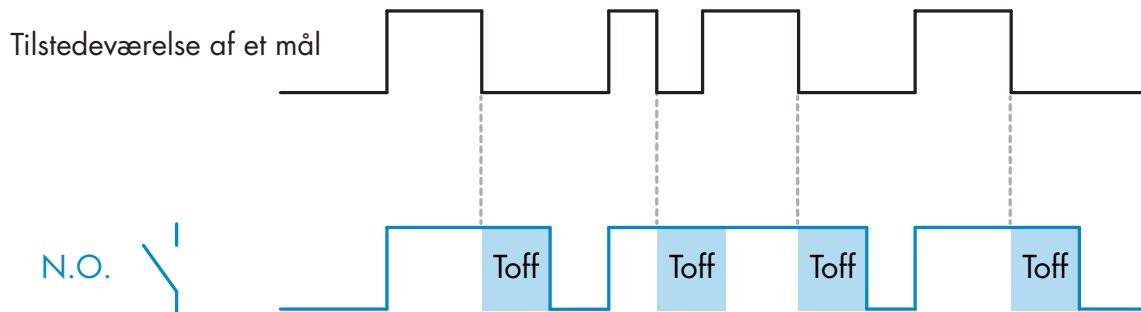
Aktiveringen af koblingsudgangen genereres efter den faktiske sensoraktivering som vist i nedenstående figur.



Eksempel med sluttende udgang

2.4.5.1.3. Slukkeforsinkelse (T-off)

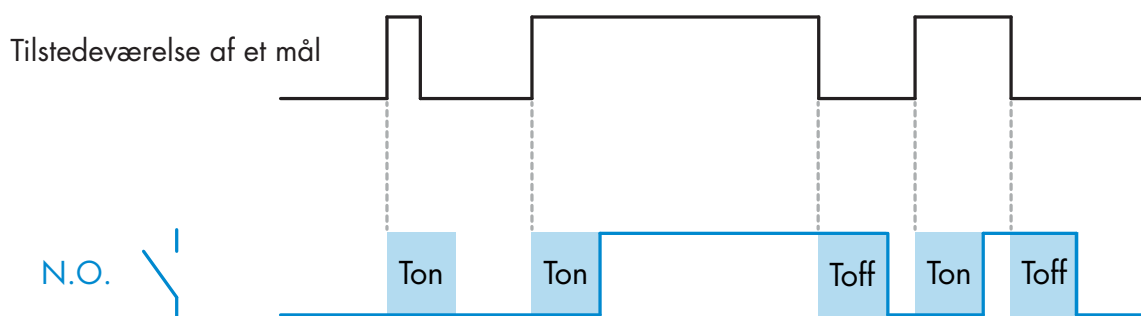
Deaktivering af koblingsudgangen forsinkes i forhold til tidspunktet for fjernelse af målet foran sensoren som vist i nedenstående figur.



Eksempel med sluttende udgang

2.4.5.1.4. Tænde- og slukkeforsinkelse (T-on og T-off)

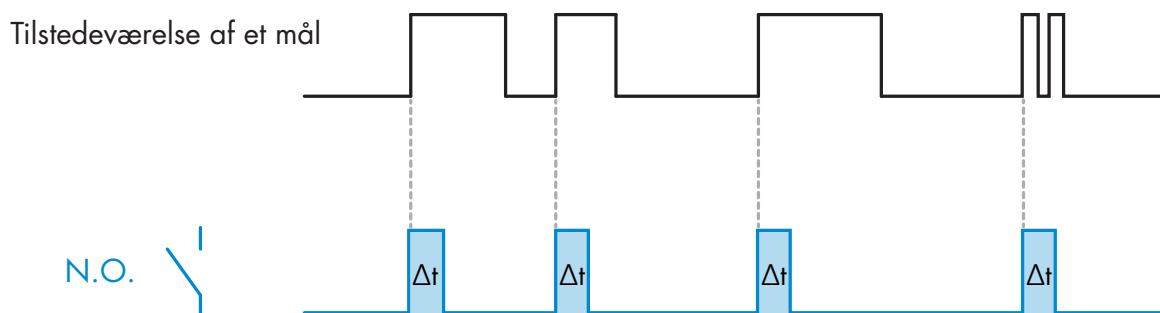
Hvis denne funktion vælges, anvendes både T-on- og T-off-forsinkelsen på genereringen af koblingsudgangen.



Eksempel med sluttende udgang

2.4.5.1.5. Monostabil forflanke

Hver gang et mål detekteres foran sensoren, genererer koblingsudgangen en impuls af konstant længde på detekterings forflanke. Denne funktion kan ikke udløses igen. Se nedenstående figur.



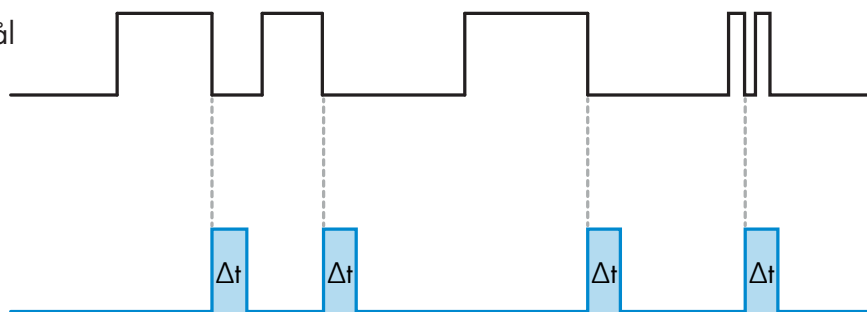
Eksempel med sluttende udgang

2.4.5.1.6. Monostabil bagflanke

Svarer i funktion til monostabil forflanke-modus, men i denne modus skiftes koblingsudgangen på aktiveringens bagflanke som vist i nedenstående figur. Denne funktion kan ikke udløses igen.

Tilstedeværelse af et mål

N.O. 



Eksempel med sluttende udgang

2.4.5.2. Timerskala

Parameteren definerer, hvorvidt forsinkelsen, der er specificeret i Timerforsinkelse, skal være i millisekunder, sekunder eller minutter

2.4.5.3. Timerværdi

Parameteren definerer forsinkelsens faktiske varighed. Forsinkelsen kan indstilles til en hvilken som helst heltalsværdi imellem 1 og 32 767.

6

2.4.6. Udgangsinverter

Denne funktion giver brugeren mulighed for at invertere funktionen på koblingsudgangen imellem Sluttende (NO) og Brydende (NC).

ANBEFALET FUNKTION

Den anbefalede funktion fremgår af parametrene under 64 (0x40) underindeks 8 (0x08) for SO1 og 65 (0x41) underindeks 8 (0x08) for SO2. Den har ikke nogen negativ indflydelse på logikfunktionerne eller timerfunktionerne, da den tilføjes efter disse funktioner.

FORSIGTIG!

Koblingslogikfunktionen, der fremgår under 61 (0x3D) underindeks 1 (0x01) for SSC1 og 63 (0x3F) underindeks 1 (0x01) for SSC2, anbefales ikke, da den vil have negativ indvirkning på logikken eller timerfunktionerne. Denne funktion vil eksempelvis gøre en TÆND-forsinkelse til en SLUK-forsinkelse, hvis den tilføjes for SSC1 og SSC2. Den er kun beregnet til SO1 og SO2.

7

2.4.7. Udgangstrinmodus

I denne funktionsblok kan brugeren vælge, om koblingsudgangene skal fungere som:

SO1: Deaktiveret, NPN, PNP eller Push-Pull-konfiguration.

SO2: Deaktiveret, NPN, PNP, Push-Pull, ekstern indgang (aktiv høj/pull-down), ekstern indgang (aktiv lav/pull-up) eller ekstern indlæringsindgang.

2.4.8. Applikationsfunktioner

Fire unikke applikationsfunktioner kan vælges via IO-Link.

- Hastighed og længde.
- Mønstergenkendelse.
- Deler.
- Emne- og afstandsovervågning.

Alle applikationsfunktioner er deaktiveret som fabriksindstilling.

2.4.8.1. Hastighed og længde

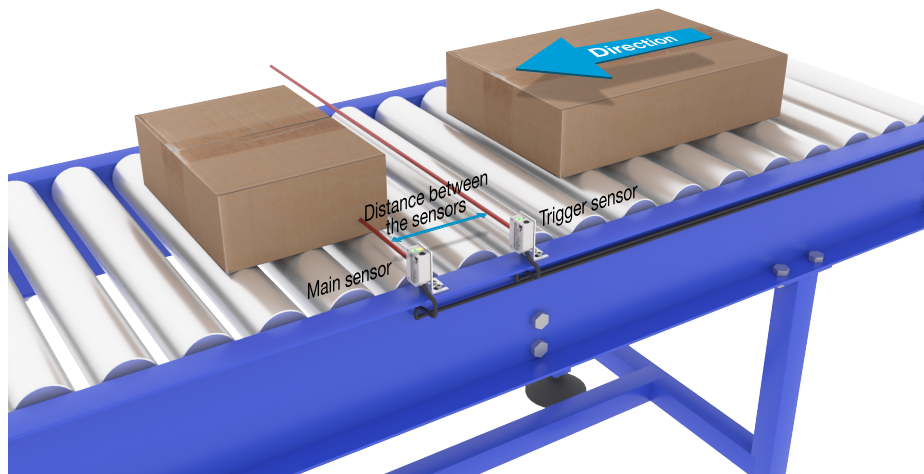
Denne funktion er designet til at overvåge et emnes længde samt et transportbåndes hastighed ved hjælp af kun to sammenkoblede sensorer. Den faktiske værdi af længden i [mm] og hastigheden i [mm/s] kan tilgås direkte på IO-Link-masteren.

Længden eller hastigheden kan vælges som procesdata.

2.4.8.1.1. Betingelser

Denne funktion kræver to sensorer: En udløssensor og en hovedsensor.

2.4.8.1.2. Hastighed og længde - opsætningsprocedure



Justering af udløser- og hovedsensor

Klargøring af sensor

- 1) Monter to sensorer på transportbåndet med en individuel afstand på f.eks. 100 mm
- 2) Slut de to sensorer til en SCTL55 eller IO-Link-masteren
- 3) Overfør IODD-filerne i SCTL55 eller IO-Link-masteren
- 4) Tænd for sensorerne
- 5) Gendan sensorernes fabriksindstillinger ved hjælp af SCTL55 eller IO-Link-masteren.
- 6) Juster de to sensorer, således at lysstrålerne er parallelle og rettet mod emnet.
- 7) Juster sensorernes følsomhed for at få en pålidelig registrering på emnet.
(Den gule LED lyser, og den grønne LED lyser, hvilket angiver Stabil TIL-status og IO-Link-modus)

IO-Link-parameterindstillinger (se Muligheder for datarækkevidde i § 7.2.7.1.)

- 8) Udløssensor: (Emnet passerer først udløssensoren)
 - a) Vælg "Hastighed og længde" i SCTL55 eller IO-Link-master i menuen "Parameter" -> "Applikationsfunktioner"

- b) Vælg "Sensorrolle" -> "Udløssensor"
- c) O-Link-parameteropsætningen er fuldført for udløssensoren
- 9) Hovedsensor: (beregner hastighed og længde og giver adgang til data via IO-Link)
- a) Nulstil sensoren ved hjælp af "Gendan fabriksindstillinger"[2](dette trin kan springes over, hvis du allerede har gjort det i punkt 5).
- b) Vælg "Hastighed og længde" i SCTL55 eller IO-Link-master i menuen "Parameter" -> "Applikationsfunktioner"
- c) Vælg "Sensorrolle" -> "Hovedsensor".
- d) Angiv afstanden mellem de to sensorer i \[mm] i menuen "Hovedsensor for hastigheds- og længdemåling" -> "Afstand mellem sensorer"
- e) Vælg "Emnelængde" eller "Emnehastighed", hvis det er nødvendigt, i "Procesdata" i "Observeringsmenu" under "Konfiguration af procesdata" -> "Analog værdi"
- i. Emnets længde vises i \[mm]
- ii. Emnets hastighed vises i \[mm/s]
- 10) Slut sensorudgangens ben 2 på udløssensoren til indgangsben 2 på hovedsensoren
- 11) Funktionen Hastighed og længde kan nu bruges.
- NB!** Når målingen er i gang, kan resultatet blive påvirket af ændringer i transportbåndets hastighed.

2.4.8.2. Mønstergenkendelse

Funktionen til mønstergenkendelse bruges til at bekræfte, om en fremstillet del f.eks. har alle de forventede huller eller tapper, og at delene er fremstillet i henhold til specifikationerne.

En dels mønster kan registreres i sensoren, og de efterfølgende dele kan herefter sammenlignes med det mønster, der allerede er registreret.

Hvis mønsteret passer, reagerer sensoren med et positivt signal eller en positiv kommando som enten en selvstændig handling eller via IO-Link-masteren

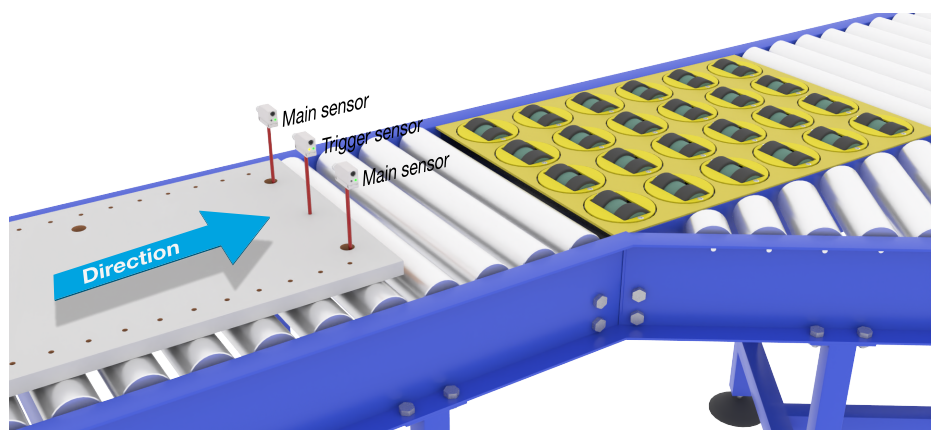
Mønsteret kan maks. indeholde 20 kanter, f.eks. 10 huller eller 10 tapper.

Hvis flere mønstre skal registreres, kan flere hovedsensorer sluttes til en enkelt udløssensor.

2.4.8.2.1. Betingelser

Denne funktion kræver to sensorer: En udløssensor og en hovedsensor, men flere hovedsensorer kan sluttes til udløssensoren, hvis flere mønstre skal undersøges samtidig.

2.4.8.2.2. Mønstergenkendelse – opsætningsprocedure



Justering af udløser- og hovedsensor

Klargøring af sensor

- 1) Monter to sensorer på transportbåndet ud for hinanden, så emnet når de to sensorer samtidig.
- 2) Slut de to sensorer til en SCTL55 eller IO-Link-masteren
- 3) Overfør IODD-filerne i SCTL55 eller IO-Link-masteren

- 4) Tænd for sensorerne
- 5) Gendan sensorernes fabriksindstillinger ved hjælp af SCTL55 eller IO-Link-masteren.
- 6) Juster de to sensorer, således at lysstrålerne registrerer emnets kant samtidig.
- 7) Udløssensoren skal monteres på et sted, hvor den hele tiden registrerer emnet uden huller eller tapper.
- 8) Hovedsensoren skal monteres således, at den registrerer hullerne eller tapperne med det mønster, der skal undersøges
- 9) Juster sensorernes følsomhed for at få en pålidelig registrering på emnet.
(Den gule LED lyser, og den grønne LED lyser, hvilket angiver Stabil TIL-status og IO-Link-modus)

IO-Link-parameterindstillinger (se Muligheder for datarækkevidde i § 7.2.7.2.)

- 10) Udløs sensor:
 - a) Vælg "Mønstergenkendelse" i SCTL55 eller IO-Link-master i menuen "Parameter" -> "Applikationsfunktioner"
 - b) Vælg "Sensorrolle" -> "Udløssensor"
 - c) IO-Link-parameteropsætningen er fuldført for udløssensoren
- 11) Hovedsensor:
 - a) Vælg "Mønstergenkendelse" i SCTL55 eller IO-Link-master i menuen "Parameter" -> "Applikationsfunktioner"
 - b) Vælg "Sensorrolle" -> "Hovedsensor".
 - c) Angiv timeoutværdien, der bruges til den maksimale evalueringstid, mellem 1 ... 60 sek. i menuen "Opsætning af mønstergenkendelse" -> "Timeout" (standardværdien er 60 sek.)
 - d) Indtast mønsterets tolerance i ‰ (dele pr. tusind) mellem 1 og 200 ‰ i menuen "Opsætning af mønstergenkendelse" -> "Tolerance" (standardværdien er 50 ‰)
- 12) Slut sensorudgangens ben 2 på udløssensoren til indgangsben 2 på hovedsensorerne

Indlær mønsteret

- 13) Aktivér kommandoen "Indlæringsmønster" for at begynde at indlære mønsteret
- 14) Flyt emnet hele vejen forbi de to sensorer ved en konstant hastighed
NB! Når målingen er i gang, kan resultatet blive påvirket af ændringer i transportbåndets hastighed.
- 15) Sensoren reagerer med:
 - a) "Gemt" i "Resultat af mønstergenkendelse" -> "Referencemønster"
 - b) "F.eks. 12" i "Resultat af mønstergenkendelse" -> "Antal kanter i referencemønster" (tæller både for- og bagkanter på målingsemnerne).
 - c) Hver kant gemmes i ms fra forkanten på hele målingsemnet og kan findes i Observeringsmenu. Når kanterne sammenlignes med referencemønsteret, omregnes de til procentværdien af hele målingsemnet. Dette vil sikre, at mønsteret kan genkendes ved forskellige konstante hastigheder.
- 16) Mønsteret kan gemmes som et projekt i SCTL55 eller IO-Link-masteren og senere sendes [1]tilbage til sensoren, så dette gemte mønster kan bruges specifikt som et referencemønster.
- 17) Funktionen Mønstergenkendelse kan nu bruges.
- 18) Flyt igen emnet hele vejen forbi de to sensorer ved en konstant hastighed
- 19) Sensoren reagerer med teksten
 - a) "F.eks. 12" i "Resultat af mønstergenkendelse" -> "Antal kanter, seneste mønster"
- 20) "Mønstrene matcher" i "Resultat af mønstergenkendelse" -> "Mønstergenkendelsesstatus"

Selvstændig drift i SIO-modus

- 21) Frakobl sensoren fra SCTL55 eller IO-Link-masteren, og sæt f.eks. ben 4 i dit [1]decentrale tårnlys eller gode/dårlige transportbånd
- 22) Når et gyldigt mønster registreres, reagerer ben 4's udgang med en impuls på 1 sekund.

Flere mønstre

Flere mønstre kan registreres samtidig på det samme emne ved hjælp af en enkelt udløssensor og flere hovedsensorer. Hver hovedsensor reagerer på et bestemt mønster.

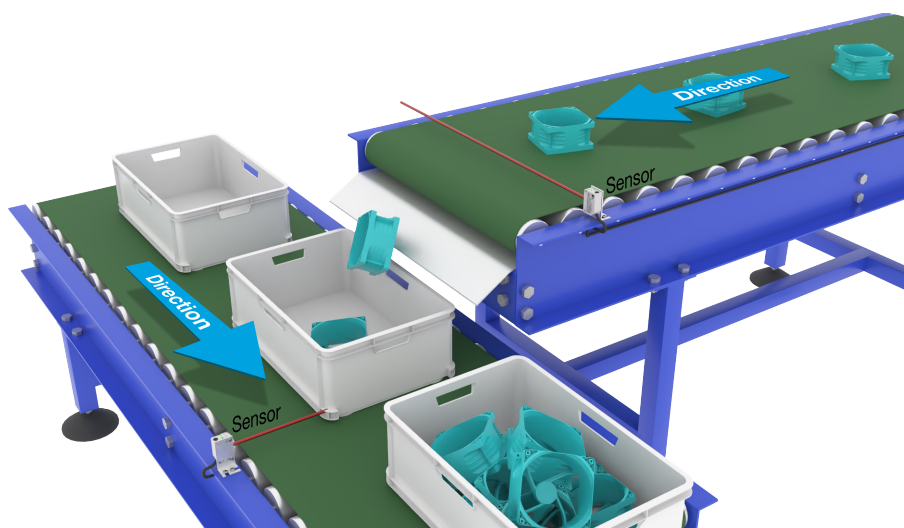
2.4.8.3. Opdelingsfunktion

Denne funktion giver f.eks. brugeren mulighed for at opsætte et antal impulser pr. omdrejning, der skal udføres, før en ny udgang vælges. Denne værdi er 1 som standard, og hver aktivering medfører, at en ny udgang vælges. Hvis der vælges en højere værdi end f.eks. 10, giver sensoren output for hver 10. registrering. Sensoren vil tælle ved emnets bagkant. I applikationseksemplet nedenfor vil sensoren ændre output-tilstanden, når 8 produkter er registreret. Sensorens output viser "kasse fuld", og en ny kasse flyttes hen foran hovedtransportbåndet. Tælleren kan nulstilles manuelt via SO2, der er konfigureret på forhånd som en ekstern nulstillingsknap.

2.4.8.3.1. Betingelser

Der bruges kun en enkelt sensor til denne funktion.

2.4.8.3.2. Opdelingsfunktion – opsætningsprocedure



Justering af sensor

Klargøring af sensor

- 1) Monter sensorerne på transportbåndet på et sted, hvor emnets bagkant registreres, lige før det falder ned i kassen.
- 2) Slut sensoren til en SCTL55 eller IO-Link-masteren.
- 3) Overfør IODD-filen i SCTL55 eller IO-Link-masteren.
- 4) Tænd for sensoren.
- 5) Gendan sensorens fabriksindstillinger ved hjælp af SCTL55 eller IO-Link-masteren.
- 6) Juster sensoren, således at lysstrålen registrerer emnet.
- 7) Juster sensorens følsomhed for at få en pålidelig registrering på emnet.
(Den gule LED lyser, og den grønne LED lyser, hvilket angiver Stabil TIL-status og IO-Link-modus)

IO-Link-parameterindstillinger (se Muligheder for datarækkevidde i § 7.2.7.3.)

- 8) Vælg "Deler" i SCTL55 eller IO-Link-master i menuen "Parameter" -> "Applikationsfunktioner".
- 9) Angiv Tællerværdi i menuen "Opsætning af deler og tæller" > "Tællergrenseværdi" mellem 1 ... 65.535 (standardværdien er 1).
- 10) Hvis en foruddefineret værdi er nødvendig, kan den vælges i menuen "Deler og tæller" -> "Forudindstillet tællerværdi" mellem 0 ... 65.535 (standardværdien er 0).

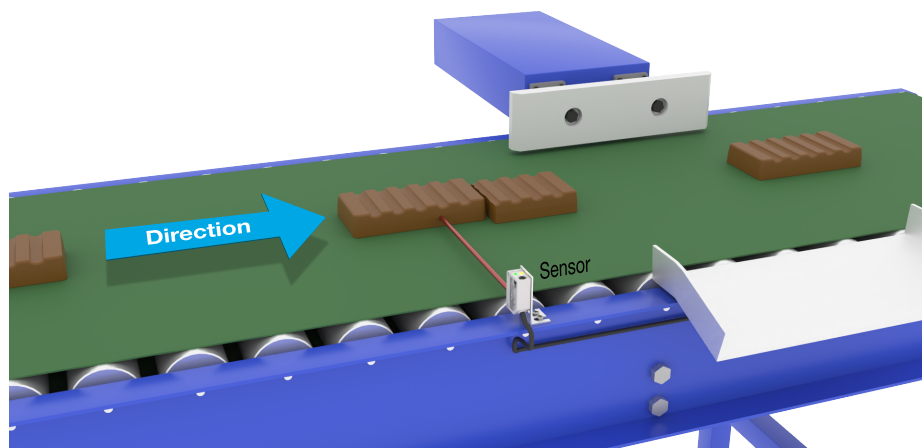
2.4.8.4. Emne- og afstandsovervågning

Denne funktion er designet til at overvåge, at et emnes længde og afstanden til det næste emne på et transportbånd ligger inden for visse grænser. Den selvstændige sensor afgiver et signal, hvis emnet er for lille, emnerne overlapper med hinanden, eller afstanden mellem de to emner er for kort til følgende processer.

2.4.8.4.1. Betingelser

Der bruges kun en enkelt sensor til denne funktion.

2.4.8.4.2. Emne- og afstandsovervågning – opsætningsprocedure



Justering af sensor

Klargøring af sensor

- 1) Monter sensoren i den nødvendige position på transportbåndet.
- 2) Slut sensoren til en SCTL55 eller IO-Link-masteren.
- 3) Overfør IODD-filen i SCTL55 eller IO-Link-masteren.
- 4) Tænd for sensoren.
- 5) Gendan sensorens fabriksindstillinger ved hjælp af SCTL55 eller IO-Link-masteren.
- 6) Juster sensoren, således at lysstrålen er rettet mod de emner, der skal detekteres.
- 7) Juster sensorens følsomhed for at få en pålidelig registrering på emnet.
(Den gule LED lyser, og den grønne LED lyser, hvilket angiver Stabil TIL-status og IO-Link-modus)

IO-Link-parameterindstillinger (se Muligheder for datarækkevidde i § 7.2.7.4.)

- 8) Vælg "Emne- og afstandsovervågning" i SCTL55 eller IO-Link-master i menuen "Parameter" -> "Applikationsfunktioner".
- 9) Emnevarighed:
 - a) Indtast den minimumsvarighed, hvor emnet er til stede, i menuen "Emne- og afstandsovervågning" > "Minimumsvarighed for emne" mellem 10 ... 60.000 ms (standardværdien er 500 ms), f.eks. 130 ms.
For at gøre det lettere er det muligt at aflæse emnevarigheden via "Emne- og afstandsovervågning" -> "Emnevarighed".
 - b) Indtast den [2]maksimal[3] varighed, hvor emnet er til stede, i menuen "Emne- og afstandsovervågning" -> "Maksimal varighed for emne" mellem 10 ... 60.000 ms (standardværdien er 500 ms), f.eks. 150 ms.
For at gøre det lettere er det muligt at aflæse emnevarigheden via "Emne- og afstandsovervågning" -> "Emnevarighed".

- 10) Afstandsvarighed:
- Indtast den minimale varighed, hvor afstanden er til stede, i menuen "Emne- og afstandsovervågning" > "Minimal varighed for afstand" mellem 10 ... 60.000 ms (standardværdien er 500 ms), f.eks. 110 ms.
For at gøre det lettere er det muligt at aflæse afstandsvarigheden via "Emne- og afstandsovervågning" -> "Afstandsvarighed".
 - Indtast den maksimale varighed, hvor afstanden er til stede, i menuen "Emne- og afstandsovervågning" -> "Maksimal varighed for afstand" mellem 10 ... 60.000 ms (standardværdien er 500 ms), f.eks. 130 ms.
For at gøre det lettere er det muligt at aflæse afstandsvarigheden via "Emne- og afstandsovervågning" -> "Afstandsvarighed".
- 11) Sensoren er nu klar til brug.
- 12) Parameteren for emnelængde skifter mellem Måling kører og Inden for grænseværdierne, Varighed for lang eller Varighed for kort.
- 13) Parameteren for afstandslængde skifter mellem Måling kører og Inden for grænseværdierne, Varighed for lang eller Varighed for kort.

Selvstændig drift i SIO-modus

- 14) Frakobl sensoren fra SCTL55 eller IO-Link-masteren.
- 15) Udgangsbæn 4 aktiveres, hvis emnevarigheden er for lang eller for kort.
- 16) Udgangsbæn 2 aktiveres, hvis afstandsvarigheden er for lang eller for kort.
NB! Hvis begge udganges signaler evalueres ved hjælp af en logisk OR, kan denne OR-funktions udgang bruges som en udgang for typiske fejl for både Emne og Afstand.

2.5. Sensorspecifikke justerbare parametre

Ud over parametrene, der er direkte relateret til udgangskonfigurationen, har sensoren også en række interne parametre, som er nyttige til opsætning og diagnose.

2.5.1. Valg af lokal justering eller fjernjustering

Det er muligt at vælge, hvordan registreringsafstanden skal indstilles, ved enten at vælge "Trimmerindgang" eller "Teach-by-wire" ved hjælp af sensorens eksterne indgang eller ved at deaktivere trimmerindgangen ved at vælge "IO-Link-justering", så sensoren ikke kan manipuleres.

2.5.2. Trimmerdata

Datarækkevidde mellem 13.500 og 70 enheder svarer til 100 ... 1.000 mm.

2.5.3. Procesdatakonfiguration

Når sensoren betjenes i IO-Link-modus, har brugeren adgang til den cykliske procesdatavariabel.

Procesdata viser som standard følgende parametre som aktive: 16-bit analog værdi, koblingsudgang 1 (SO1) og koblingsudgang 2 (SO2).

Følgende parametre kan indstilles som inaktive: SSC1, SSC2, DA1, DA2, TA, SC, WDA1, WDA2, AFO1.

Ved ændring af procesdatakonfigurationsparameteren kan brugeren imidlertid vælge også at aktivere statussen for de inaktive parametre. På denne måde kan flere tilstande iagttages i sensoren på samme tid.

NB! Hvis Applikationsfunktioner vælges, kan flere indstillinger for "Analogværdier" vælges i fanen Observering.

2.5.4. Valg af sensormåling

Sensoren har 3 forudindstillinger for sensorpræcision, som kan vælges alt efter omgivelserne:

- Standardpræcision (Filterskalering er altid 1)
- Høj præcision (Filterskalering er altid 10 – langsom)
- Tilpasset konfiguration (Filterskalering kan indstilles mellem 1-255)

Præcisionen kan justeres via parameteren "Filterskalering". Se 2.6.9.

2.5.5. Temperaturalarm-tærskel

Temperaturen, hvorved temperaturalarmen udløses, kan ændres for maks.- og min.-temperaturen. Dette betyder, at sensoren udløser en alarm, hvis maks.- eller min.-temperaturen overskrides. Temperaturerne kan indstilles imellem -50 °C og +150 °C. Standardindstillingerne fra fabrikken er, Lav tærskel -30 °C og høj tærskel +120 °C.

2.5.6. Sikkerhedsgrænser

Sikkerhedsgrænserne kan vælges for sensoren i % af SP1 og SP2 og kan vælges individuelt for SSC1 og SSC2. De bruges til at beregne Stabil TIL- eller Stabil FRA-signaler.

- Støvalarm: Hvis sikkerhedsgrænserne overskrides, aktiveres støvalarmen (se også beskrivelsen af støvalarmen)
- Vanddråbealarm: Hvis sikkerhedsgrænserne overskrides, aktiveres vanddråbealarmen (se også beskrivelsen af vanddråbealarmen).
- Automatisk justering: Når sikkerhedsgrænserne nås for den automatiske justeringsfunktion, aktiveres alarmen til rengøring af sensoroverfladen.
- Den grønne LED påvirkes også af sikkerhedsgrænserne og kan bruges til at opsætte registreringsafstanden manuelt ved at justere, indtil LED'en lyser Stabil TIL.

2.5.6.1. Stabil TIL

Når sensoren registrerer et signal, som er x % højere (angivet af sikkerhedsgrænser) end værdien, hvor udgangen skifter til TIL, er sensoren Stabil TIL.

2.5.6.2. Stabil FRA

Når sensoren registrerer et signal, som er x % lavere (angivet af sikkerhedsgrænser) end værdien, hvor udgangen skifter til FRA, er sensoren Stabil FRA.

2.5.7. Hændelseskonfiguration

Temperaturhændelser transmitteret via IO-Link-grænsefladen er som standard slået fra i sensoren. Hvis brugeren ønsker at få oplysninger om kritiske temperaturer, der måtte blive detekteret i sensoranvendelsen, giver denne parameter mulighed for at aktivere og deaktivere følgende 4 hændelser:

- Temperaturfejlhændelse: Sensoren detekterer en temperatur uden for det specificerede driftsinterval.
- Temperaturoverskridelse: Sensoren detekterer temperaturer, der er højere end indstillingen for temperaturalarmtærskel.
- Temperaturunderskridelse: Sensoren detekterer temperaturer, der er lavere end indstillingen for temperaturalarmtærskel.
- Kortslutning: Sensoren detekterer, hvis sensorudgangen kortsluttes.

2.5.8. Kvalitet af kørsel QoR

Kvalitet af kørsel informerer brugeren om sensorens faktiske ydeevne og evaluerer følgende parametre: Maksimumsignal, Minimumsignal, Hysterese, SP og Sikkerhedsgrænser.

Værdien for QoR kan variere fra 0 ... 255 %.

QoR-værdien opdateres for hver enkelt registreringscyklus.

Eksempler på QoR kan ses i tabellen nedenfor.

Kvalitet af kørsel-værdier	Forklaring
> 150%	Fremragende sensorforhold – sensoren forventes ikke at kræve vedligeholdelse i den nærmeste fremtid.
100%	Gode sensorforhold – sensoren fungerer lige så godt, som da sætpunkterne blev indlært eller opsat manuelt med en sikkerhedsmargin, som er det dobbelte af standardhysteresen. <ul style="list-style-type: none">• Pålidelighed på længere sigt forventes under alle omgivelsesforhold.• Vedligeholdelse forventes ikke at blive nødvendig.
50%	Gennemsnitlige sensorforhold <ul style="list-style-type: none">• På grund af forhold i omgivelserne reduceres måleværdiernes pålidelighed, og vedligeholdelse er nødvendig for at forbedre detekteringsadfærden.• Hvis omgivelsesforholdene altid er stabile, kan pålidelig detektering forventes i den nærmeste fremtid.
0%	Upålidelige sensorforhold – sensoren fungerer ikke korrekt og kræver øjeblikkelig vedligeholdelse.

2.5.9. Kvalitet af indlæring QoT

Værdien Kvalitet af indlæring fortæller brugeren, hvor godt indlæringsproceduren blev udført, og evaluerer forholdet mellem følgende parametre: TP2, TP1, Hysterese og Sikkerhedsgrænser.

Værdien for QoT kan variere fra 0 ... 255 %.

QoT-værdien opdateres efter hver indlæringsprocedure.

Eksempler på QoT kan ses i tabellen nedenfor.

Kvalitet af indlæring-værdier	Forklaring
> 150%	Fremragende indlæringsforhold – sensoren forventes ikke at kræve vedligeholdelse i den nærmeste fremtid.
100%	Gode indlæringsforhold – sensoren har indlært de sikkerhedsgrænser, der er angivet som standard-sikkerhedsgrænser: <ul style="list-style-type: none">• Pålidelighed på længere sigt forventes under alle omgivelsesforhold.• Vedligeholdelse forventes ikke at blive nødvendig.
50%	Gennemsnitlige indlæringsforhold. <ul style="list-style-type: none">• De omgivelsesmæssige forhold gør ikke pålidelig detektering mulig i en længere periode. Vedligeholdelse skal udføres i den nærmeste fremtid.• Hvis omgivelsesforholdene altid er stabile, kan pålidelig detektering forventes i den nærmeste fremtid.
0%	Dårligt indlæringsresultat. <ul style="list-style-type: none">• Dårlige sensorforhold for pålidelig detektering (f.eks. for lille målemargin mellem emnet og omgivelserne).

2.5.10. Funktionsreserve

Værdien Funktionsreserve beskriver forholdet mellem det lys, der modtages af fotocellen, og det lys, der er nødvendigt, før sensoren kan fungere.

Værdien Funktionsreserve kan findes i fanen Diagnosticering i SCTL55 eller IO-Link-master.

$$\text{Funktionsreserve} = \frac{\text{Lys, der modtages af sensoren}}{\text{Lys, der er nødvendigt for at skifte udgang}}$$

2.5.11. Filterskalering

Denne funktion kan øge immuniteten overfor ustabile emner og elektromagnetiske forstyrrelser: Værdien kan indstilles fra 1 til 255, og standardindstillingen fra fabrikken er 1. Filteret fungerer som et varierende gennemsnit. Det betyder, at en filterindstilling på 1 giver den højeste registreringsfrekvens, mens en indstilling på 255 giver den laveste registreringsfrekvens.

2.5.12. Gensidig interferens

I en optimal installation skal sensorerne installeres således, at de ikke forstyrrer hinanden, men i visse tilfælde er det ikke muligt. Derfor kan funktionen med gensidig interferensbeskyttelse benyttes. Denne funktion forøger immuniteten betragteligt, men den vil også påvirke sensorhastigheden negativt. Når filteret aktiveres, analyserer sensoren de signaler, der modtages, og forsøger at bortfiltrere de forstyrrende impulser.

- 1 sensortilstand: Skal bruges, hvis sensoren forstyrres af en ukendt sensor, en kraftig lommelygte eller en stærk moduleret lyskilde, f.eks. LED-lys.
Reaktionstiden forøges 5 gange.
- 2 sensortilstand: Skal bruges, hvis to identiske sensorer forstyrrer hinanden.
Reaktionstiden forøges 5 ... 6 gange.
- 3 sensortilstand: Skal bruges, hvis tre identiske sensorer forstyrrer hinanden.
Reaktionstiden forøges 5 ... 7 gange.

2.5.13. LED-indikering

LED-indikeringen kan konfigureres i 3 forskellige modi: Inaktiv, Aktiv eller Find min sensor.

Inaktiv: LED'erne er altid slukket

Aktiv: LED'erne følger indikeringssystemet beskrevet i 5.1.

Find min sensor: LED'erne blinker vekslende med 2 Hz med 50 % driftscyklus, så det er nemt at finde sensoren.

2.5.14. Hysteresemodus

Se 2.4.1.3.Hystereseindstillinger

2.5.15. Automatisk hystereseværdi

Se 2.4.1.3.Hystereseindstillinger

2.6. Indlæringsprocedure ved hjælp af SCTL55 eller en IO-Link-master

Sætpunkterne kan konfigureres ved hjælp af en indlæringsprocedure. Dette vil sikre, at sætpunkterne konfigureres med en optimal værdi, hvor der tages højde for sikkerhedsgrænserne og hysteresen.

2.6.1. Ekstern indlæring (Teach-by-wire)

NB! Denne funktion fungerer i enkeltpunktmodus og kun for SP1 i SSC1.

Teach-by-wire skal konfigureres først ved hjælp af SCTL55 eller en IO-Link-master:

- Vælg "Indlær i" i "Kanal 2 (SO2)" -> "Kanal 2-konfiguration.Udgangstrin".
- Vælg "Enkeltpunktmodus" i "Koblingssignal-kanal 1" -> "SSC1-konfiguration.Modus".
- Vælg "Teach by wire" i "SSC1-enkeltpunkt" -> "Valg af lokal justering/fjernjustering".

Teach-by-wire-procedure

- Anbring emnet foran sensoren.
- Tilslut indgangen for ekstern indlæring (ben 2 hvid ledning) til V+ (ben 1 brun ledning).
Den gule LED begynder at blinke med angivelsen 1 Hz (10 % til) for at indikere, at indlæring er i gang.
- Efter 3-6 sekunder åbnes indlæringsvinduet. Her skifter blinkemønstret til 90 % til. Frigør den hvide ledning.
- Hvis indlæringen er udført korrekt, vil den gule LED blinke fire gange (2 Hz, 50 %).
- Det nye indlærte sætpunkt kan findes i "SSC1-enkeltpunkt" -> "Sætpunkt" -> "SSC1-parameter.Sætpunkt 1".
Hvis indlæringen mislykkes eller afbrydes, vil sensoren afslutte indlæringsmodus.

NB: Hvis den hvide ledning frigøres uden for indlæringsvinduet, afbrydes indlæringen.

Hvis den hvide ledning ikke frigøres indenfor 10 sekunder, afbrydes indlæringen (timeout angives af et hurtigt blinkende tal (5 Hz, 50 %).

2.6.2. Indlæring fra IO-Link-masteren eller Smart-konfiguratoren (SCTL55)

- Vælg SSC1 eller SSC2 konfigurationsmodus:

SSC1: Vælg "Enkeltpunkt", "Vindue" eller "Topunkt" i "Koblingssignal-kanal 1" -> "SSC1-konfiguration.Modus".

NB! Hvis "Enkeltpunkt" er valgt, skal "IO-Link-justering" vælges i "SSC1-enkeltpunkt" -> "Valg af lokal justering/fjernjustering".

SSC2: Vælg "Enkeltpunkt", "Vindue" eller "Topunkt" i "Koblingssignal-kanal 2" -> "SSC2-konfiguration.Modus".

- Vælg den kanal, der skal indlæres, f.eks. "Koblingssignal-kanal 1" eller "Koblingssignal-kanal 2" i "Indlæring" -> "Indlæring,Vælg".

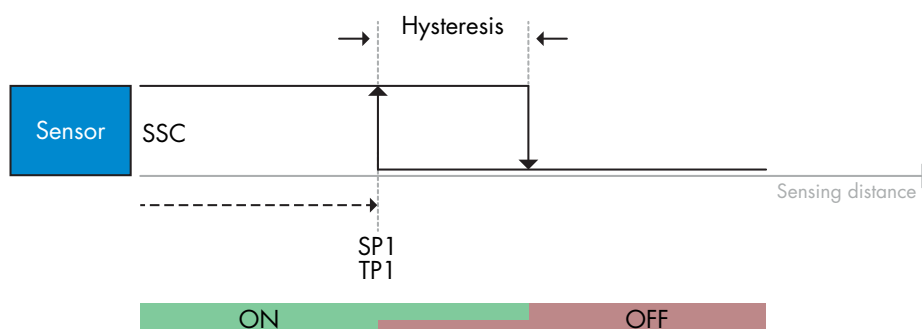
2.6.2.1. Enkeltpunktmodus-procedure

1) Enkeltværdi-indlæringskommandosekvens:

Enkeltværdi-indlæringskommandosekvens.

(Knapperne kan findes i: "Indlæring SSC1" eller "Indlæring SSC2" -> "Indlæring-enkeltværdi SSC1" eller "Indlæring-enkeltværdi SSC2").

- Anbring emnet foran sensoren.
- Tryk på Indlæring SP1.
- Indlæringsresultat vises i "Indlæringsresultat -> Indlæringstilstand", f.eks. "SUCCES".
- QoT vises i "Kvalitet af indlæring", f.eks. 100 %.



2) Dynamisk indlæringskommandosekvens

Dynamisk indlæring for Enkeltværdi-indlæringskommandosekvens

(Knapperne kan findes i: "Indlæring SSC1" eller "Indlæring SSC2" -> "Indlæring dynamisk SSC1" eller "Indlæring dynamisk SSC2")

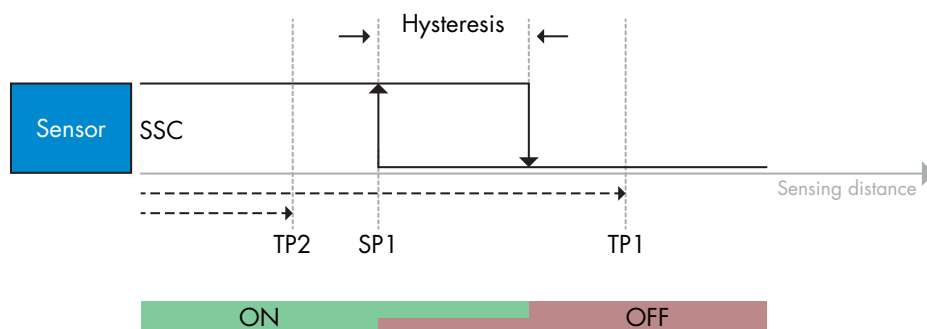
1. Tryk på "Indlær SP1-start".
2. Flyt emnet ind og ud af detekteringszonen i forskellige positioner foran sensoren.
3. Tryk på "Indlær SP1-stop".
4. Indlæringsresultat vises i "Indlæringsresultat -> Indlæringstilstand", f.eks. "SUCCES".
5. QoT vises i "Kvalitet af indlæring", f.eks. 150 %

3) Toværdi-indlæringskommandosekvens

Indlæring med to værdier for SP1

(Knapperne kan findes i: "Indlæring SSC1" eller "Indlæring SSC2" -> "Indlæring med to værdier SSC1" eller "Indlæring med to værdier SSC2")

1. Flyt emnet til positionen for SP1 TP1
 - A. Tryk på "Indlær SP1 TP1".
 - B. "Indlæringsresultat -> TeachPoint 1 af Sætpunkt 1" = f.eks. "OK".
 - C. "Indlæringsresultat -> Indlæringsstatus" = f.eks. "AFVENT KOMMANDO".
2. Flyt emnet til positionen for SP1 TP2
 - A. Tryk på "Indlær SP1 TP2".
 - B. "Indlæringsresultat -> TeachPoint 2 af Sætpunkt 1" = f.eks. "OK".
 - C. "Indlæringsresultat -> Indlæringsstatus" = f.eks. "SUCCES".
3. QoT vises i "Kvalitet af indlæring", f.eks. 150 %

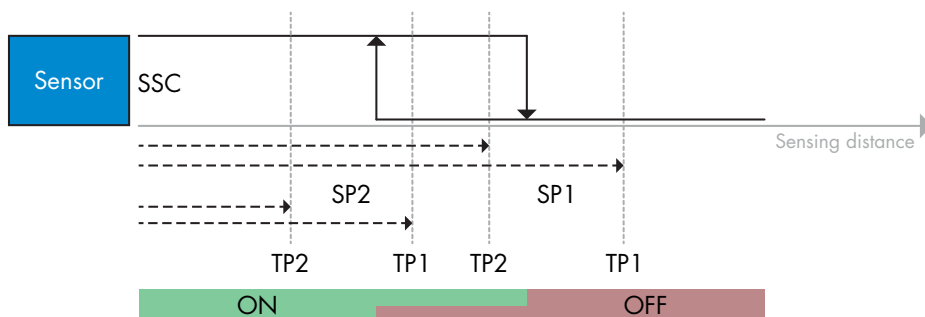


2.6.2.2. Topunktmodus-procedure

1) Toværddi-indlæringskommandosekvens:

Knapperne kan findes i menuen: "Indlæring SSC1" eller "Indlæring SSC2" -> "Indlæring med to værdier SSC1" eller "Indlæring med to værdier SSC2"

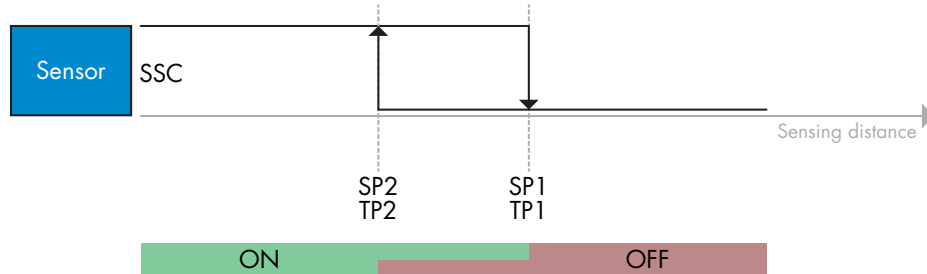
1. Flyt emnet til positionen for SP1 TP1.
 - A. Tryk på "Indlær SP1 TP1".
 - B. "Indlæringsresultat -> TeachPoint 1 af Sætpunkt 1" = f.eks. "OK".
 - C. "Indlæringsresultat -> Indlæringsstatus" = f.eks. "AFVENT KOMMANDO".
2. Flyt emnet til positionen for SP1 TP2.
 - A. Tryk på "Indlær SP1 TP2".
 - B. "Indlæringsresultat -> TeachPoint 2 af Sætpunkt 1" = f.eks. "OK".
 - C. "Indlæringsresultat -> Indlæringsstatus" = f.eks. "AFVENT KOMMANDO".
3. Flyt emnet til positionen for SP2 TP1.
 - A. Tryk på "Indlær SP2 TP1".
 - B. "Indlæringsresultat -> TeachPoint 1 af Sætpunkt 2" = f.eks. "OK".
 - C. "Indlæringsresultat -> Indlæringsstatus" = f.eks. "AFVENT KOMMANDO".
4. Flyt emnet til positionen for SP2 TP2.
 - A. Tryk på "Indlær SP2 TP2".
 - B. "Indlæringsresultat -> TeachPoint 2 af Sætpunkt 2" = f.eks. "OK".
 - C. "Indlæringsresultat -> Indlæringsstatus" = f.eks. "AFVENT KOMMANDO".
5. Tryk på Anvend indlæring.
 - A. "Indlæringsresultat -> Indlæringsstatus" = f.eks. "Succes".
6. QoT vises i "Kvalitet af indlæring", f.eks. 100 %



2) Dynamisk indlæringskommandosekvens:

Knapperne kan findes i menuen: "Indlæring dynamisk SSC1" eller "Indlæring dynamisk SSC2" -> "Indlæring"

1. Flyt emnet til positionen for SP1.
 - A. Tryk på "Indlær SP1-start".
 - B. "Indlæringsresultat -> Indlæringsstatus" = f.eks. "AFVENT KOMMANDO".
 - C. Tryk på "Indlær SP1-stop".
 - D. "Indlæringsresultat -> Indlæringsstatus" = f.eks. "AFVENT KOMMANDO".
2. Flyt emnet til positionen for SP2.
 - A. Tryk på "Indlær SP2-start".
 - B. "Indlæringsresultat -> Indlæringsstatus" = f.eks. "AFVENT KOMMANDO".
 - C. Tryk på "Indlær SP2-stop".
 - D. "Indlæringsresultat -> Indlæringsstatus" = f.eks. "AFVENT KOMMANDO".
3. "Indlæringsresultat -> Indlæringsstatus" = f.eks. "SUCCES".
4. QoT vises i "Kvalitet af indlæring", f.eks. 100 %

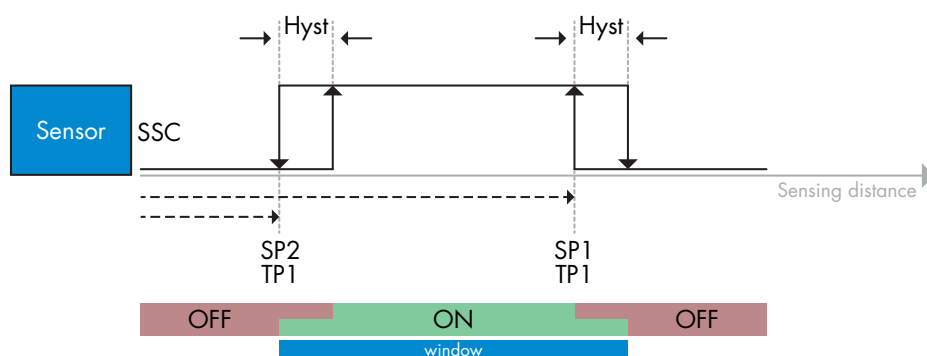


2.6.2.3. Vinduesmodusprocedure

1) Enkeltværdi-indlæringskommandosekvens:

Knapperne kan findes i menuen: "Indlæring SSC1" eller "Indlæring SSC2" -> "Indlæring-enkeltværdi SSC1" eller "Indlæring-enkeltværdi SSC2"

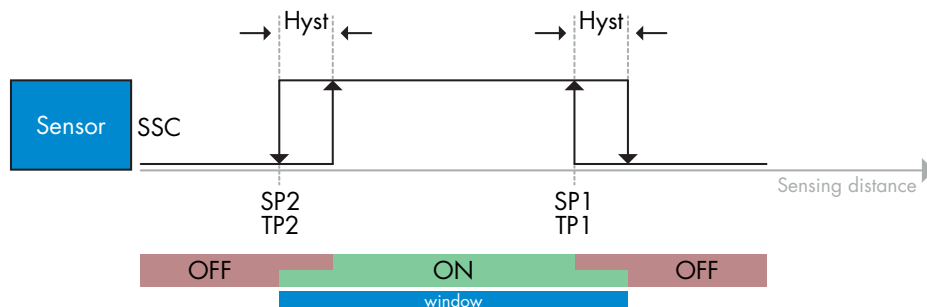
1. Flyt emnet til positionen for SP1.
 - A. Tryk på "Indlær SP1".
 - B. "Indlæringsresultat -> Indlæringsstatus" = f.eks. "AFVENT KOMMANDO".
2. Flyt emnet til positionen for SP2.
 - A. Tryk på "Indlær SP2".
 - B. "Indlæringsresultat -> Indlæringsstatus" = f.eks. "SUCCES".
3. QoT vises i "Kvalitet af indlæring", f.eks. 255 %



2) Dynamisk indlæringskommandosekvens:

Knapperne kan findes i menuen: "Indlæring SSC1" eller "Indlæring SSC2" -> "Indlæring dynamisk SSC1" eller "Indlæring dynamisk SSC2"

1. Flyt emnet til positionen for SP1.
 - A. Tryk på "Indlær SP1-start".
 - B. "Indlæringsresultat -> Indlæringsstatus" = f.eks. "AFVENT KOMMANDO".
 - C. Tryk på "Indlær SP1-stop".
 - D. "Indlæringsresultat -> Indlæringsstatus" = f.eks. "AFVENT KOMMANDO".
2. Flyt emnet til positionen for SP2.
 - A. Tryk på "Indlær SP2-start".
 - B. "Indlæringsresultat -> Indlæringsstatus" = f.eks. "AFVENT KOMMANDO".
 - C. Tryk på "Indlær SP2-stop".
 - D. "Indlæringsresultat -> Indlæringsstatus" = f.eks. "SUCCES".
3. QoT vises i "Kvalitet af indlæring", f.eks. 100 %



2.7. Diagnoseparametre

2.7.1. Driftstimer

Sensoren har en indbygget tæller, der logger hver hele time, hvor sensoren har været i drift. Det maksimale antal timer, der kan registreres, kan læses via SCTL55 eller en IO-Link-master.

2.7.2. Antal tænd/sluk-cykler [cyklusser]

Sensoren har en indbygget tæller, der logger hver gang sensoren tændes. Det faktiske antal effektcyklusser registreres og kan læses via SCTL55 eller en IO-Link-master.

2.7.3. Maks. temperatur – absolut højeste [°C]

Sensoren har en indbygget funktion, der logger den højeste temperatur, som sensoren har været udsat for i løbet af hele dens driftslevetid. Denne parameter opdateres en gang i timen og kan læses via SCTL55 eller en IO-Link-master.

2.7.4. Min. temperatur – absolut laveste [°C]

Sensoren har en indbygget funktion, der logger den laveste temperatur, som sensoren har været udsat for i løbet af hele dens driftslevetid. Denne parameter opdateres en gang i timen og kan læses via SCTL55 eller en IO-Link-master.

2.7.5. Maks. temperatur siden sidste opstart [°C]

Fra denne parameter kan brugeren få oplysninger om, hvad den højeste temperatur har været siden opstarten. Denne værdi gemmes ikke i sensoren, men den kan læses via SCTL55 eller en IO-Link-master.

2.7.6. Min. temperatur siden sidste opstart [°C]

Fra denne parameter kan brugeren få oplysninger om, hvad den laveste temperatur har været siden opstarten. Denne værdi gemmes ikke i sensoren, men den kan læses via SCTL55 eller en IO-Link-master.

2.7.7. Aktuelle temperatur [°C]

Fra denne parameter kan brugeren få oplysninger om den aktuelle temperatur i sensoren. Temperaturen kan læses via SCTL55 eller en IO-Link-master.

2.7.8. Detekteringstæller [cyklusser]

Sensoren logger, hver gang SSC1 skifter tilstand. Denne parameter opdateres en gang i timen og kan læses via SCTL55 eller en IO-Link-master.

2.7.9. Minutter over maks. temperatur [min]

Sensoren logger, hvor mange minutter sensoren har været i drift over maks.-temperaturen for sensoren, og det maksimale antal minutter, der kan registreres, er 2 147 483 647. Denne parameter opdateres en gang i timen og kan læses via SCTL55 eller en IO-Link-master.

2.7.10. Minutter under min. temperatur [min]

Sensoren logger, hvor mange minutter sensoren har været i drift under min.-temperaturen for sensoren, og det maksimale antal minutter, der kan registreres, er 2 147 483 647. Denne parameter opdateres en gang i timen og kan læses via SCTL55 eller en IO-Link-master.

2.7.11. Downloadtæller

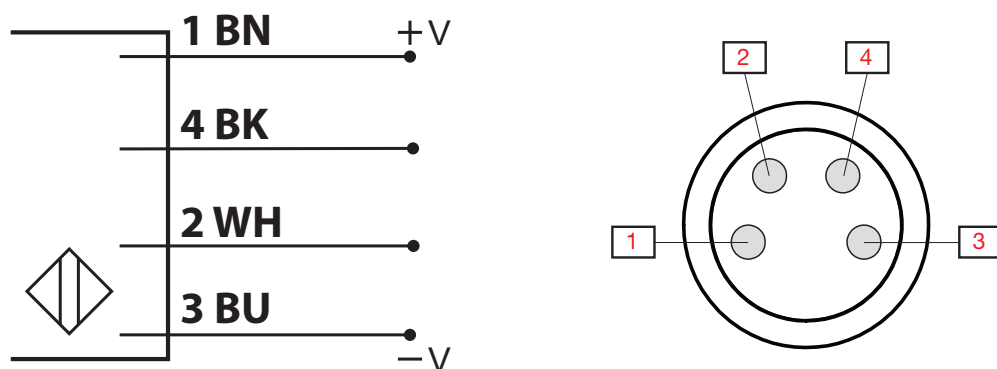
Sensoren logger, hvor mange gange parametrene er blevet ændret i sensoren. Det maksimale antal ændringer, der kan registreres, er 65 536 gange. Denne parameter opdateres en gang i timen og kan læses via SCTL55 eller en IO-Link-master.

BEMÆRK!

Temperaturen, der måles af sensoren, vil altid være højere end omgivelsestemperaturen, hvilket skyldes intern opvarmning.

Forskellen imellem omgivelsestemperaturen og den interne temperatur påvirkes af måden, som sensoren er monteret på i anvendelsen. Hvis sensoren er monteret i et metalbeslag, vil forskellen være mindre, end hvis den er monteret i et plasticbeslag.

3. Ledningsdiagrammer



BEN	Farve	Signal	Beskrivelse
1	Brun	10 ... 30 VDC	Sensorforsyning
2	Hvid	Belastning	Udgang 2 / SIO-modul / Ekstern indgang / Ekstern læring
3	Blå	GND	Jord
4	Sort	Belastning	IO-Link / Udgang 1 / SIO-modus

4. Idriftsættelse

150 ms efter at strømforsyningen er slået til, er sensoren driftsklar.

Hvis den er sluttet til en IO-Link-master, er ingen yderligere indstilling nødvendig, og IO-Link-kommunikationen starter automatisk, efter at IO-Link-masteren sender en vækkeanmodning til sensoren.

5. Drift

5.1. Brugergrenseflade på PD30ETDx10BPxxIO

PD30ETDx10BPxxIO-sensorerne er udstyret med en gul og en grøn LED.

SIO og IO-Link-modus			
Grøn LED	Gul LED	Tændt/ slukket	Detektering
● TÆNDT	● SLUKKET	TÆNDT	SLUKKET (stabil) SSC1
● SLUKKET	● SLUKKET	TÆNDT	SLUKKET (ikke stabil) SSC1 eller LED'er deaktiveret
● SLUKKET	● TÆNDT	TÆNDT	TÆNDT (ikke stabil) SSC1
● TÆNDT	● TÆNDT	TÆNDT	TÆNDT (stabil) SSC1
● SLUKKET	● SLUKKET	SLUKKET	Strøm ikke tilsluttet
-	● Blinkende 10 Hz 50 % arbejdscyklus	TÆNDT	Udgang kortslutning
-	● Blinkende 0,5...20 Hz 50 % arbejdscyklus	TÆNDT	Indikation på udløsning
Kun SIO-modus			
-	● Blinkende 1 Hz TÆNDT 100 ms SLUKKET 900 ms	TÆNDT	Ekstern indlæring via kabel. Kun for enkeltpunktmodus
-	● Blinkende 1 Hz TÆNDT 900 ms SLUKKET 100 ms	TÆNDT	Indlæringsvindue (3-6 sek.)
-	● Blinkende 10 Hz TÆNDT 50 ms SLUKKET 50 ms Blinkende i 2 sek.	TÆNDT	Indlærings-timeout (12 sek.)
-	● Blinkende 2 Hz TÆNDT 250 ms SLUKKET 250 ms Blinkende i 2 sek.	TÆNDT	Indlæring vellykket
Kun IO-Link-modus			
● Blinkende 1 Hz TÆNDT 900 ms SLUKKET 100 ms	● SLUKKET	TÆNDT	Sensor er i IO-Link-modus, og SSC1 er stabil
● Blinkende 1 Hz TÆNDT 100 ms SLUKKET 900 ms	● TÆNDT	TÆNDT	Sensor er i IO-Link-modus, og SSC1 er ikke stabil
● ●	Blinkende 2 Hz 50 % arbejdscyklus	TÆNDT	Find min sensor

6. IODD-fil og fabriksindstilling

6.1. IODD-fil til en IO-Link-enhed

Alle sensorens funktioner, enhedsparametre og indstillingsværdier samles i en fil, der kaldes en I/O-enhedsbeskrivelse (IODD-fil).

IODD-filen er nødvendig for at etablere kommunikation mellem SCTL55 eller IO-Link-masteren og sensoren. Enhver leverandør af en IO-Link-enhed skal levere denne fil og gøre den tilgængelig til download på webstedet. IODD-filen indeholder:

- proces- og diagnosedata
- parameterbeskrivelse med navnet, det tilladte interval, datatypen og adressen (indeks og underindeks)
- kommunikationsegenskaber, inkl. enhedens mindste cyklostid
- enhedsidentitet, artikelnummer, billede af enheden og producentens logo

IODD-filen er tilgængelig i IOOD Finder og på Carlo Gavazzis websted: <http://gavazziautomation.com>

6.2. Fabriksindstillinger

Standardværdierne fra fabrikken fremgår af bilag 7 under standardværdier.

7. Bilag

7.1. Akronymmer

HeltalT	Heltal med fortegn
OktetStrengT	Række af oktetter
PDV	Procesdatavariabel
R/W	Læse og skrive
RO	Kun læse
SO	Koblingsudgang
SP	Sætpunkt
SSC	Koblingssignalkanal
StrengT	Streng af ASCII-tegn
TA	Temperaturalarm
UIntegerT	Heltal uden fortegn
WO	Kun skrive
SC	Kortslutning
DA	Støvalarm
WDA	Vanddråbealarm
AFO1	Applikationsfunktioner, udgang 1

7.2. IO-Link-enhedsparmetre til PD30ETD IO-Link

7.2.1. Enhedsparmetre

Parameternavn	Indeks Dec (Hex)	Adgang	Standardværdi	Datainterval	Datatype	Længde
Leverandørnavn	16 (0x10)	RO	Carlo Gavazzi	-	StringT	20 Byte
Leverandørtekst	17 (0x11)	RO	www.gavazziautomation.com	-	StringT	34 Byte
Produktnavn	18 (0x12)	RO	(Sensornavn) f.eks. PD30ETD110BPA210	-	StringT	20 Byte
Produkt-ID	19 (0x13)	RO	(produktets EAN-kode) f.eks. 5709870394046	-	StringT	13 Byte
Produkttekst	20 (0x14)	RO	f.eks. Fotoceller, objektafaster, rød lyskilde, 1000 mm, rustfrit stålhus, IO-Link	-	StringT	30 Byte
Serienummer	21 (0x15)	RO	(Unikt serienummer) f.eks. 20210315C0001	-	StringT	13 Byte
Hardware-revision	22 (0x16)	RO	(Hardware-revision) f.eks. v01.00	-	StringT	6 Byte
Firmware-revision	23 (0x17)	RO	(Software-revision) f.eks. v01.00	-	StringT	6 Byte
Anvendelsespecifikt mærke	24 (0x18)	R/W	***	Vilkårlig streng på op til 32 tegn	StringT	maks. 32 Byte
Funktionstag	25 (0x19)	R/W	***	Vilkårlig streng på op til 32 tegn	StringT	maks. 32 Byte
Lokaliseringstag	26 (0x1A)	R/W	***	Vilkårlig streng på op til 32 tegn	StringT	maks. 32 Byte
Procesdataindgang	40 (0x28)	RO	-	-	IntegerT	32 bit

7.2.2. Observering

Parameternavn	Indeks Dec (Hex)	Adgang	Standardværdi	Datainterval	Datatype	Længde
Procesdatakonfiguration	70 (0x46)	R/W	-	-	-	-
Analog værdi	1 (0x01)	R/W	1 = Analog værdi aktiv	0 = Analog værdi inaktiv 1 = Analog værdi aktiv	RecordT	16 bit
Koblingsudgang 1	2(0x02)	R/W	1 = Koblingsudgang 1 aktiv	0 = Koblingsudgang 1 inaktiv 1 = Koblingsudgang 1 aktiv	RecordT	16 bit
Koblingsudgang 2	3 (0x03)	R/W	1 = Koblingsudgang 2 aktiv	0 = Koblingsudgang 2 inaktiv 1 = Koblingsudgang 2 aktiv	RecordT	16 bit
Koblingssignalkanal 1	4 (0x04)	R/W	0 = SSC1 inaktiv	0 = SSC1 inaktiv 1 = SSC1 aktiv	RecordT	16 bit
Koblingssignalkanal 2	5 (0x05)	R/W	0 = SSC2 inaktiv	0 = SSC2 inaktiv 1 = SSC2 aktiv	RecordT	16 bit
Støvalarm 1	6 (0x06)	R/W	0 = DA1 inaktiv	0 = DA1 inaktiv 1 = DA1 aktiv	RecordT	16 bit
Støvalarm 2	7 (0x07)	R/W	0 = DA2 Inactive	0 = DA2 inaktiv 1 = DA2 aktiv	RecordT	16 bit
Temperaturalarm	8 (0x08)	R/W	0 = TA inaktiv	0 = TA inaktiv 1 = TA aktiv	RecordT	16 bit
Kortslutning	9 (0x09)	R/W	0 = SC inaktiv	0 = SC inaktiv 1 = SC aktiv	RecordT	16 bit
Vanddråbealarm 1	10 (0x10)	R/W	0 = WDA1 inaktiv	0 = WDA1 inaktiv 1 = WDA1 aktiv	RecordT	16 bit
Vanddråbealarm 2	11 (0x11)	R/W	0 = WDA2 inaktiv	0 = WDA2 inaktiv 1 = WDA2 aktiv	RecordT	16 bit
Applikationsfunktioner, udgang 1	12 (0x12)	R/W	0 = AFO1 inaktiv	0 = AFO1 inaktiv 1 = AFO1 aktiv	RecordT	16 bit

7.2.3 . SSC-parametre

Parameternavn	Indeks Dec (Hex)	Adgang	Standardværdi	Datainterval	Datatype	Længde
Indlæring vælg	58 (0x3A)	RW	1 = SSC1	0 = Ingen kanal valgt 1 = SSC1 (Aftastningskanal 1) 2 = SSC2 (Aftastningskanal 2)	UIntegerT	8 bit
Indlæring resultat	59 (0x3B)	-	-	-	-	-
Indlæring tilstand	1 (0x01)	RO	0 = Klar	0 = Klar 1 = Succes 4 = Afvent kommando 5 = Optaget 7 = Fejl	RecordT	8 bit
TP1 (Indlæringspunkt 1) til SP1 (setpunkt 1)	2 (0x02)	RO	0 = Ikke OK	0 = Ikke OK 1 = OK	RecordT	8 bit
TP2 (Indlæringspunkt 2) til SP1 (setpunkt 1)	3 (0x03)	RO	0 = Ikke OK	0 = Ikke OK 1 = OK	RecordT	8 bit
TP1 (Indlæringspunkt 1) til SP2 (setpunkt 2)	4 (0x04)	RO	0 = Ikke OK	0 = Ikke OK 1 = OK	RecordT	8 bit
TP2 (Indlæringspunkt 2) til SP2 (setpunkt 2)	5 (0x05)	RO	0 = Ikke OK	0 = Ikke OK 1 = OK	RecordT	8 bit
SSC1-parameter (koblingssignalkanal)	60 (0x3C)	-	-	-	-	-
Setpunkt 1 (SP1)	1 (0x01)	R/W	100	0 ... 13 500	IntegerT	16 bit
Setpunkt 2 (SP2)	2 (0x02)	R/W	13 500	0 ... 13 500	IntegerT	16 bit
SSC1-konfiguration (koblingssignalkanal)	61 (0x3D)	-	-	-	-	-
Koblingslogik	1 (0x01)	R/W	0 = Høj aktiv	0 = Høj aktiv 1 = Lav aktiv	UIntegerT	8 bit
Modus	2 (0x02)	R/W	1 = Et-punkt	0 = Deaktiveret 1 = Et-punkt 2 = Vindue 3 = To-punkt	UIntegerT	8 bit
Hysterese	3 (0x03)	R/W	25%	5 ... 99%	UIntegerT	16 bit
SSC2-parameter	62 (0x3E)	-	-	-	-	-
Setpunkt 1 (SP1)	1 (0x01)	R/W	100	0 ... 13 500	IntegerT	16 bit
Setpunkt 2 (SP2)	2 (0x02)	R/W	13 500	0 ... 13 500	IntegerT	16 bit
SSC2-konfiguration	63 (0x3F)	-	-	-	-	-
Koblingslogik	1 (0x01)	R/W	0 = Høj aktiv	0 = Høj aktiv 1 = Lav aktiv	UIntegerT	8 bit
Modus	2 (0x02)	R/W	0 = Deaktiveret	0 = Deaktiveret 1 = Et-punkt 2 = Vindue 3 = To-punkt	UIntegerT	8 bit
Hysterese	3 (0x03)	R/W	25%	5 ... 99%	UIntegerT	16 bit

7.2.4. Udgangsparametre

Parameternavn	Indeks Dec (Hex)	Adgang	Standardværdi	Datainterval	Datatype	Længde
Kanal 1 opsætning (S01)	64 (0x40)	-	-	-	-	-
Udgangstrin - tilstand	1 (0x01)	R/W	1 = PNP-udgang	0 = Deaktiveret udgang 1 = PNP-udgang 2 = NPN-udgang 3 = Push-pull-udgang	UIntegerT	8 bit
Indgangsvælger 1	2 (0x02)	R/W	1 = SSC 1	0 = Deaktiveret 1 = SSC 1 2 = SSC 2 3 = Støvalarm 1 (DA1) 4 = Støvalarm 2 (DA2) 5 = Temperaturalarm (TA) 6 = Ekstern logik-indgang 7 = Applikationsfunktioner	UIntegerT	8 bit
Timer – Modus	3 (0x03)	R/W	0 = Deaktiveret timer	0 = Deaktiveret timer 1 = T-on-forsinkelse 2 = T-off-forsinkelse 3 = T-on/T-off-forsinkelse 4 = Monostabil forflanke 5 = Monostabil bagflanke	UIntegerT	8 bit
Timer – Skala	4 (0x04)	R/W	0 = Millisekunder	0 = Millisekunder 1 = Sekunder 2 = Minutter	UIntegerT	8 bit
Timer – Værdi	5 (0x05)	R/W	0	0 ... 32'767	IntegerT	16 bit
Logikfunktion	7 (0x07)	R/W	0 = Direkte	0 = Direkte 1 = AND 2 = OR 3 = XOR 4 = Flip-flop for nulstilling af sæt	UIntegerT	8 bit
Udgangs-inverter	8 (0x08)	R/W	0 = Ikke inverteret (N.O.)	0 = Ikke inverteret (sluttende) 1 = Inverteret (brydende)	UIntegerT	8 bit
Kanal 2 opsætning (S02)	65 (0x41)	-	-	-	-	-
Udgangstrin - tilstand	1 (0x01)	R/W	1 = PNP-udgang	0 = Deaktiveret udgang 1 = PNP-udgang 2 = NPN-udgang 3 = Push-Pull-udgang 4 = Digital logik-indgang (Aktiv høj/pull-down) 5 = Digital logik-indgang (Aktiv lav/pull-up) 6 = Indlæring (aktiv høj)	UIntegerT	8 bit
Indgangsvælger 2	2 (0x02)	R/W	1 = SSC 1	0 = Deaktiveret 1 = SSC 1 2 = SSC 2 3 = Støvalarm 1 (DA1) 4 = Støvalarm 2 (DA2) 5 = Temperaturalarm (TA) 6 = Ekstern logik-indgang 7 = Applikationsfunktioner	UIntegerT	8 bit
Timer – Modus	3 (0x03)	R/W	0 = Deaktiveret timer	0 = Deaktiveret timer 1 = T-on-forsinkelse 2 = T-off-forsinkelse 3 = T-on/T-off-forsinkelse 4 = Monostabil forflanke 5 = Monostabil bagflanke	UIntegerT	8 bit
Timer – Skala	4 (0x04)	R/W	0 = Millisekunder	0 = Millisekunder 1 = Sekunder 2 = Minutter	UIntegerT	8 bit
Timer – Værdi	5 (0x05)	R/W	0	0 ... 32'767	IntegerT	16 bit
Logikfunktion	7 (0x07)	R/W	0 = Direkte	0 = Direkte 1 = AND 2 = OR 3 = XOR 4 = Flip-flop for nulstilling af sæt	UIntegerT	8 bit
Udgangsinverter	8 (0x08)	R/W	1 = Inverteret (brydende)	0 = Ikke inverteret (sluttende) 1 = Inverteret (brydende)	UIntegerT	8 bit

7.2.5. Sensorspecifikke justerbare parametre

Parameternavn	Indeks Dec (Hex)	Adgang	Standardværdi	Datainterval	Datatype	Længde
Valg af lokal justering/fjernjustering	68 (0x44)	R/W	1 = Trimmerindgang	0 = Deaktiveret 1 = Trimmerindgang 2 = Teach-by-wire	UIntegerT	8 bit
Trimmerværdi	69 (0x45)	RO	70	70 ... 13 500	UIntegerT	16 bit
Forudindstilling af sensoranvendelse	71 (0x47)	R/W	0 = Normal	0 = Normal/tilsidesæt præcision (hurtig) 1 = Høj præcision (langsom) 2 = Tilpasset (filterskalering)	UIntegerT	8 bit
Temperaturalarm-tærskel	72 (0x48)	-	-	-	-	-
Høj tærskel	1 (0x01)	R/W	70°C	-30 ... 70°C	IntegerT	16 bit
Lav tærskel	2 (0x02)	R/W	- 20°C	-30 ... 70°C	IntegerT	16 bit
Stable ON/OFF-grænse	73 (0x49)	-	-	-	-	-
SSC 1 - Safe-grænse	1 (0x01)	R/W	20%	1 ... 100%	IntegerT	8 bit
SSC 2 - Safe-grænse	2 (0x02)	R/W	20%	1 ... 100%	IntegerT	8 bit
Filterskalering	77 (0x4D)	R/W	1	1 ... 255	UIntegerT	8 bit
LED-indikering	78 (0x4E)	R/W	1 = LED-indikering aktiv	0 = LED-indikering inaktiv 1 = LED-indikering aktiv 2 = Find min sensor	UIntegerT	8 bit
Hysteresemodus	80 (0x50)	R/W	0 = Hysteresen indstillet manuelt	0 = Hysteresen indstillet manuelt 1 = Hysteresen indstillet automatisk	UIntegerT	8 bit
SSC1 Automatisk hystereseværdi	81 (0x51)	-	-	-	-	-
Automatisk hystereseværdi SP1	1 (0x01)	RO	-	5 ... 99%	UIntegerT	16 bit
Automatisk hystereseværdi SP2	2 (0x02)	RO	-	5 ... 99%	UIntegerT	16 bit
Gensidig interferensbeskyttelse	84 (0x54)	R/W	0 = Off	0 = Off 1 = 1sensormodus 2 = 2sensor – sensor1 3 = 2sensor – sensor2 4 = 3sensor – sensor1 5 = 3sensor – sensor2 6 = 3sensor – sensor3	Uinteger	8 bit

7.2.6. Automatisk justering

Parameternavn	Indeks Dec (Hex)	Adgang	Standardværdi	Datainterval	Datatype	Længde
Opsætning af automatisk justering	85 (0x54)	-	-	-	-	-
Opsætning af automatisk justering	1 (0x01)	R/W	0 = Automatisk justering inaktiv	0 = Automatisk justering inaktiv 1 = Automatisk justering aktiv	UIntegerT	8 bit
Juster vinduesstørrelse	2 (0x02)	R/W	20%	5 ... 50%	UIntegerT	8 bit
Juster opløsning	3 (0x03)	R/W	50%	5 ... 100%	UIntegerT	8 bit
Korrigerede sætpunkter	86 (0x56)	-	-	-	-	-
SSC1	4 (0x04)	RO	100	0 ... 13 500	UIntegerT	16 bit
SSC2	5 (0x05)	RO	100	0 ... 13 500	UIntegerT	16 bit

7.2.7. Applikationsfunktion

Parameternavn	Indeks Dec (Hex)	Adgang	Standardværdi	Datainterval	Datatype	Længde
Applikationsfunktionsvælger	88 (0x58)	RO	0 = Ingen applikationsfunktion valgt	0 = Ingen applikationsfunktion valgt 1 = Hastighed og længde 2 = Mønstergenkendelse 3 = Divider 4 = Emne- og afstandsovervågning	UIntegerT	8 bit

7.2.7.1. Hastighed og længde

Parameternavn	Indeks Dec (Hex)	Adgang	Standardværdi	Datainterval	Datatype	Længde
Opsætning	89 (0x59)	-	-	-	-	-
Sensormodus	1 (0x01)	R/W	0 = Ingen rolle valgt	0 = Ingen rolle valgt 1 = Udløs sensor 2 = Hovedsensor	UIntegerT	8 bit
Afstand mellem sensorer	2 (0x02)	R/W	100 mm	25 ... 150 mm	UIntegerT	8 bit
Resultater	90 (0x5A)	-	-	-	-	-
Emnehastighed	1 (0x01)	RO	-	0 ... 2 000 mm/sec	UIntegerT	16 bit
Emnelængde	2 (0x02)	RO	-	25 ... 60 000 mm	UIntegerT	16 bit
Status	3 (0x03)	RO	0 = KLAR	0 = KLAR 1 = Måling kører 2 = For høj hastighed 3 = Timeout 4 = For langt emne 5 = Logikfejl	UIntegerT	8 bit

7.2.7.2. Mønstergenkendelse

Parameternavn	Indeks Dec (Hex)	Adgang	Standardværdi	Datainterval	Datatype	Længde
Opsætning af mønstergenkendelse	91 (0x5B)	-	-	-	-	-
TimeOut	1 (0x01)	R/W	60 sec	1 ... 60 sec	UIntegerT	8 bit
Tolerance	2 (0x02)	R/W	50 %	1 ... 200 %	UIntegerT	8 bit
Sensorrolle	3 (0x03)	R/W	0 = Ingen rolle valgt	0 = Ingen rolle valgt 1 = Udløs sensor 2 = Hovedsensor	UIntegerT	8 bit
Resultat af mønstergenkendelse	92 (0x5C)	-	-	-	-	-
Referencemønster	1 (0x01)	RO	0 = Ikke gemt	0 = Ikke gemt 1 = Gemt	UIntegerT	8 bit
Antal flanker i referencemønster	2 (0x02)	RO	0	0 ... 20	UIntegerT	8 bit
Antal flanker i seneste mønster	3 (0x03)	RO	0	0 ... 20	UIntegerT	8 bit
Mønstergenkendelsesstatus	4 (0x04)	RO	0 = KLAR	0 = KLAR 1 = Måling kører 2 = Mønstermatch 3 = Timeout 4 = For mange flanker 5 = FEJL i FLÅNKETÆLLER 6 = FEJL i FLÅNKEVARIGHED	UIntegerT	8 bit

7.2.7.2. Mønstergenkendelse (fortsat)

Parameternavn	Indeks Dec (Hex)	Adgang	Standardværdi	Datainterval	Datatype	Længde
Observeringsmenu						
Mønstergenkendelse	97 (0x61)	-	-	-	-	-
Tidsstempel 1 ... 20	1 ... 20 (0x01 ... 14)	R/W	0	Tidsstempel for hver hændelse \[ms]. I forhold til start (tid 0)	UIntegerT	16 bit
Mønstertidsstempel 1 ... 20	21 ... 40 (0x15 ... 28)	R/W	0 = Ingen flanke	0 = Ingen flanke 1 = Positiv flanke 2 = Negativ flanke	UIntegerT	8 bit
Emnevarighed	41 (0x29)	R/W	0 ms	0 ... 65 535 ms	UIntegerT	16 bit
Referencemønster	42 (0x2A)	R/W	0 = Ikke gemt	0 = Ikke gemt 1 = Gemt	UIntegerT	8 bit
Antal flanker i referencemønster	43 (0x2B)	R/W	0	0 ... 20	UIntegerT	8 bit

7.2.7.3. Deler

Parameternavn	Indeks Dec (Hex)	Adgang	Standardværdi	Datainterval	Datatype	Længde
Opsætning af deler og tæller	93 (0x5D)	-	-	-	-	-
Tællergrænseværdi	1 (0x01)	R/W	5	1 ... 65 535	UIntegerT	16 bit
Forudindstillet tællerværdi	2 (0x02)	R/W	0	0 ... 65 535	UIntegerT	16 bit
Resultat	94 (0x5E)	-	-	-	-	-
Tællerværdi	1 (0x01)	RO	-	0 ... 65 535	UIntegerT	16 bit

7.2.7.4. Emne- og afstandsovervågning

Parameternavn	Indeks Dec (Hex)	Adgang	Standardværdi	Datainterval	Datatype	Længde
Opsætning af emne- og afstandsovervågning	95 (0x5F)	-	-	-	-	-
Minimumvarighed for emne	1 (0x01)	R/W	500 ms	10 ... 60 000 ms	UIntegerT	16 bit
Maksimumvarighed for emne	2 (0x02)	R/W	10 000 ms	10 ... 60 000 ms	UIntegerT	16 bit
Minimumvarighed for afstand	3 (0x03)	R/W	500 ms	10 ... 60 000 ms	UIntegerT	16 bit
Maksimumvarighed for afstand	4 (0x04)	R/W	10 000 ms	10 ... 60 000 ms	UIntegerT	16 bit
Resultat af emne- og afstandsovervågning	96 (0x60)	-	-	-	-	-
Emnevarighed	1 (0x01)	RO	0 ms	0 ... 60 000 ms	UIntegerT	16 bit
Afstandsvarighed	2 (0x02)	RO	0 ms	0 ... 60 000 ms	UIntegerT	16 bit
Emnestatus	3 (0x03)	RO	0 = KLAR	0 = KLAR 1 = Måling kører 2 = Inden for grænseværdierne 3 = Varighed for lang 4 = Varighed for kort	UIntegerT	8 bit
Afstandsstatus	4 (0x04)	RO	0 = KLAR	0 = KLAR 1 = Måling kører 2 = Inden for grænseværdierne 3 = Varighed for lang 4 = Varighed for kort	UIntegerT	8 bit

7.2.8. Diagnoseparametre

Parameternavn	Indeks Dec (Hex)	Adgang	Standardværdi	Datainterval	Datatype	Længde
Sensordiagnosticering						
Front-end-fejl	209 (0xD1)	RO	0 = OK	0 = OK. 1 = Fejl.	IntegerT	8 bit
EE_MemoryFailure (under opstart)	208 (0xD0)	-	-	-	-	-
Hukommelsesfejl	1 (0x01)	RO	0 = OK	0 = OK. 1 = Fejl.	IntegerT	8 bit
Temperaturdiagnosticering						
Maksimumtemperatur – siden idriftsættelse	203 (0xCB)	RO	- °C	-50 ... 150 [°C]	HeltalT	16 bit
Minimumtemperatur – siden idriftsættelse	204 (0xCC)	RO	- °C	-50 ... 150 [°C]	HeltalT	16 bit
Maksimumtemperatur siden opstart	205 (0xCD)	RO	- °C	-50 ... 150 [°C]	HeltalT	16 bit
Minimumtemperatur siden opstart	206 (0xCE)	RO	- °C	-50 ... 150 [°C]	HeltalT	16 bit
Aktuel temperatur	207 (0xCF)	RO	- °C	-50 ... 150 [°C]	HeltalT	16 bit
Minutter over maksimumtemperatur	211 (0xD3)	RO	0 min	0 ... 2 147 483 647 [min]	HeltalT	32 bit
Minutter under minimumtemperatur	212 (0xD4)	RO	0 min	0 ... 2 147 483 647 [min]	HeltalT	32 bit
Driftsdiagnosticering						
Driftstimer	201 (0xC9)	RO	0 h	0 ... 2 147 483 647 [h]	HeltalT	32 bit
Antal effektcyklusser	202 (0xCA)	RO	0	0 ... 2147483647	HeltalT	32 bit
Detektionstæller SSC1	210 (0xD2)	RO	0	0 ... 2147483647	HeltalT	32 bit
Vedligeholdelseevent-tæller	213 (0xD5)	RO	0	0 ... 2 147 483 647	IntegerT	32 bit
Downloadtæller	214 (0xD6)	RO	0	0 ... 65536	UIntegerT	16 bit
Kvalitet af indlæring	75 (0x4B)	RO	-	0 ... 255	UIntegerT	8 bit
Kvalitet af kørsel	76 (0x4C)	RO	-	0 ... 255	UIntegerT	8 bit
Funktionsreserve	83 (0x53)	RO	-	1 ... 255%	UIntegerT	8 bit
Fejlantal	32 (0x20)	RO	0	0 ... 65535	HeltalT	16 bit
Enhedsstatus	36 (0x24)	RO	0 = Enheden fungerer korrekt	0 = Enheden fungerer korrekt 1 = Vedligeholdelse påkrævet 2 = Uden for specifikation 3 = Funktionskontrol 4 = Fejl	UIntegerT	8 bit
Detaljeret enhedsstatus	37 (0x25)		-	-		3 Byte
Temperaturfejlf	-	RO	-	-	OktetStrengT	3 Byte
Temperaturoverskridelse	-	RO	-	-	OktetStrengT	3 Byte
Temperaturunderskridelse	-	RO	-	-	OktetStrengT	3 Byte
Kortslutning	-	RO	-	-	OktetStrengT	3 Byte
Vedligeholdelse påkrævet	-	RO	-	-	OktetStrengT	3 Byte
Event-konfiguration						
Hændelseskonfiguration	74 (0x4A)	R/W	-	-	-	-
Vedligeholdelses-event (0x8C30)	1 (0x01)	R/W	0 = Vedligeholdelses-event inaktiv	0 = Vedligeholdelses-event inaktiv 1 = Vedligeholdelses-event Aktiv	RecordT	16 bit
Temperaturfejlf-event (0x4000)	2 (0x02)	R/W	0 = Temperaturfejlf-event inaktiv	0 = Temperaturfejlf-event inaktiv 1 = Temperaturfejlf-event Aktiv	RecordT	16 bit
Temperaturoverskridelses-event (0x4210)	3 (0x03)	R/W	0 = Temperaturoverskridelses-event inaktiv	0 = Temperaturoverskridelses-event inaktiv 1 = Temperaturoverskridelses-event Aktiv	RecordT	16 bit
Temperaturunderskridelses-event (0x4220)	4 (0x04)	R/W	0 = Temperaturunderskridelses-event inaktiv	0 = Temperaturunderskridelses-event inaktiv 1 = Temperaturunderskridelses-event Aktiv	RecordT	16 bit
Kortslutnings-event (0x7710)	5 (0x05)	R/W	0 = Kortslutnings-event inaktiv	0 = Kortslutnings-event inaktiv 1 = Kortslutnings-event Aktiv	RecordT	16 bit



CARLO GAVAZZI

IO-Link

光电传感器

PD30ETDx10BPxxIO

Instruction manual

Betriebsanleitung

Manuel d'instructions

Manual de instrucciones

Manuale d'istruzione

Brugervejledning

使用手册

1. 简介	255
1.1. 说明	255
1.2. 文档有效性	255
1.3. 本文档使用者	255
1.4. 使用产品	255
1.5. 安全预防措施	255
1.6. 其他文档	255
1.7. 首字母缩略词	256
2. 产品	257
2.1. 主要功能	257
2.2. 识别号	257
2.3. 工作模式	258
2.3.1. SIO 模式	258
2.3.2. IO-Link 模式	258
2.3.3. 过程数据	259
2.4. 输出参数	259
2.4.1. 传感器正面	260
2.4.1.1. SSC (开关信号通道)	260
2.4.1.2. 开关点模式:	260
2.4.1.3. 磁滞设置	261
2.4.1.4. 粉尘警报 1 和粉尘警报 2	261
2.4.1.5. 水滴警报 1 和水滴警报 2	261
2.4.1.6. 温度警报 (TA)	261
2.4.1.7. 外部输入	262
2.4.2. 自动调节	262
2.4.3. 输入选择器	262
2.4.4. 逻辑功能块	262
2.4.5. 定时器 (可以为 Out1 和 Out2 单独设置)	264
2.4.5.1. 定时器模式	264
2.4.5.1.1. 禁用	264
2.4.5.1.2. 打开延迟 (T-on)	264
2.4.5.1.3. 关闭延迟 (T-off)	264
2.4.5.1.4. 开延迟和关延迟 (T-on 和 T-off)	265
2.4.5.1.5. 单次上升沿	265
2.4.5.1.6. 单次下降沿	265
2.4.5.2. 定时器标度	266
2.4.5.3. 定时器值	266
2.4.6. 输出逆变器	266
2.4.7. 输出阶段模式	266
2.4.8. 应用功能	266
2.4.8.1. 速度和长度	266
2.4.8.1.1. 条件	267
2.4.8.1.2. 速度和长度 - 设置步骤	267
2.4.8.2. 图案识别	268
2.4.8.2.1. 条件	268
2.4.8.2.2. 图案识别 - 设置步骤	268
2.4.8.3. 分配器功能	269
2.4.8.3.1. 条件	269
2.4.8.4. 物体和间隙监视	270
2.4.8.4.1. 条件	270
2.4.8.3.2. 分配器功能 - 设置步骤	270
2.4.8.4.2. 物体和间隙监视 - 设置步骤	271
2.5. 传感器特定可调参数	272
2.5.1. 本地或远程调整的选择	272
2.5.2. 微调电容器数据	272
2.5.3. 过程数据配置	272
2.5.4. 传感器应用设定	272
2.5.5. 温度警报阈值	272

2.5.6. 安全限制	272
2.5.6.1. 稳定开启	272
2.5.6.2. 稳定关闭	272
2.5.7. 事件配置	272
2.5.8. 运行质量 QoR	273
2.5.9. 教导质量 QoT	273
2.5.10. 过量增益	273
2.5.11. 过滤器定标器	274
2.5.12. 相互干扰	274
2.5.13. LED 指示	274
2.5.14. 磁滞模式	274
2.5.15. 自动磁滞值	274
2.6. 使用 SCTL55 或 IO-Link 主站的教导程序	275
2.6.1. 外部教导 (通过导线教导)	275
2.6.2. 通过 IO-Link 主站或智能配置器 (SCTL55) 进行教导	275
2.6.2.1. 单点模式程序	275
2.6.2.2. 双点模式程序	277
2.6.2.3. 窗口模式程序	278
2.7. 诊断参数	280
2.7.1. 运行小时数	280
2.7.2. 重启次数 [周期]	280
2.7.3. 最高温度 - 始终高温 [° C]	280
2.7.4. 最低温度 - 始终低温 [° C]	280
2.7.5. 自上次通电以来的最高温度 [° C]	280
2.7.6. 自上次通电以来的最低温度 [° C]	280
2.7.7. 当前温度 [° C]	280
2.7.8. 检测计数器 [周期]	280
2.7.9. 高于最高温度的分钟数 [分钟]	280
2.7.10. 低于最低温度的分钟数 [分钟]	280
2.7.11. 下载计数器	280
3. 接线图	281
4. 调试	281
5. 工作	282
5.1. PD30ETDx10BPxxIO...IO 的用户界面	282
6. IODD 文件和出厂设置	283
6.1. IO-Link 设备的 IODD 文件	283
6.2. 出厂设置	283
7. 附录	283
7.1. 首字母缩略词	283
7.2. PD30ETD 的 IO-Link 设备参数	284
7.2.1. 设备参数	284
7.2.2. 观察	284
7.2.3. SSC 参数	285
7.2.4. 输出参数	286
7.2.5. 传感器特定可调参数	287
7.2.6. 自动调节	287
7.2.7. 应用功能	288
7.2.7.1. 速度和长度	288
7.2.7.2. 模式识别	288
7.2.7.3. 分配器	289
7.2.7.4. 物体和间隙监视	289
7.2.8. 诊断参数	290
过量增益	291
尺寸图	291
检测图	292
安装提示	293

1. 简介

本手册为 Carlo Gavazzi IO-Link 光电传感器 PD30ETDx10BPxxIO。本手册介绍如何为预期用途而安装、设置和使用产品。

1.1. 说明

Carlo Gavazzi 光电传感器是按照 IEC 国际标准设计和制造的设备，遵从低电压 (2014/35/EU) 指令和电磁兼容性 (2014/30/EU) EC 指令。

Carlo Gavazzi Industri 保留本文档的所有权利，副本仅供内部使用。

欢迎提出任何改进本文档的建议。

1.2. 文档有效性

本手册仅适用于配备 IO-Link 的 PD30ETDx10BPxxIO 光电传感器，在新文档之发布前一直有效。

1.3. 本文档使用者

本说明手册介绍产品用于预期用途的功能、操作和安装。

本手册包含与安装有关的重要信息，处理这些光电传感器的专业人员必须阅读并完全理解本手册。

我们强烈建议您在安装传感器之前认真阅读本手册。请妥善保管本手册以便今后使用。本安装手册仅供具备资质的技术人员使用。

1.4. 使用产品

这些光电式漫反射传感器设计为充能传感器，这意味着当接收器接收到足够水平的发射光时，传感器就会做出响应并切换输出状态。在 IO-Link 模式下，可通过过程数据读取接收信号电平。

PD30ETDx10BPxxIO 传感器在有或没有 IO-Link 通信的情况下都可以运行。通过使用 SCTL55 或 IO-Link 主站，用户可以操作和配置这些设备。

1.5. 安全预防措施

此传感器不得用于需要传感器工作才能保证人身安全的应用场合（该传感器并非按照欧盟机械指令设计而成）。

必须由具有基本电气安装知识且经过培训的技术人员进行安装和使用。

安装人员有责任根据当地安全法规正确安装，确保传感器出现缺陷时不会对人或设备造成危害。如果传感器出现缺陷，则必须更换传感器，并且确保无人擅自使用有缺陷的传感器。

1.6. 其他文档

您可以在互联网上找到数据表、IODD 文件和 IO-Link 参数手册：<http://gavazziautomation.com>

1.7. 首字母缩略词

I/O	输入/输出
PD	过程数据
PLC	可编程逻辑控制器
SIO	标准输入输出
SP	设定值
IODD	I/O 设备描述
IEC	国际电工委员会
NO	常开触点
NC	常闭触点
NPN	将负载拉至接地
PNP	将负载拉至 V+
Push-Pull	将负载拉至接地或 V+
QoR	运行质量
QoT	教导质量
UART	通用异步收发传输器
SO	开关输出
SSC	开关信号通道
DA	粉尘警报
WDA	水滴警报
AFO	应用功能输出
TA	温度报警

2. 产品

2.1. 主要功能



IO-Link Carlo Gavazzi 4 线 DC 光电式漫反射传感器按照最高质量标准制造而成，采用不锈钢密封外壳 AISI316L，以应对恶劣的环境。IP69K 和 ECOLAB 认证。

它们可以在标准 I/O 模式 (SIO) 下工作，该模式是默认工作模式。连接到 SCTL55 或 IO-Link 主站时，它们会自动切换为 IO-Link 模式，用户可以远程操作和轻松配置。

有了 IO-Link 接口，这些设备变得更加智能，具备更多配置选项，例如可设置的感应距离和磁滞，还有输出的定时器功能。逻辑功能块等高级功能以及将输出转换为外部输入的可能性使传感器能够非常灵活地应用。

应用功能（例如图案识别、速度和长度监视、分配器功能以及物体和间隙检测）都是去中心化功能，专门用于解决特定的传感任务。

2.2. 识别号

代码	选项	说明
P	-	光电传感器
D	-	矩形外壳
30	-	外壳尺寸
E	-	不锈钢外壳 - AISI316L
T	-	顶部微调电容器
D	-	漫反射
	I	红外光
	R	红灯
10	-	1 000 mm 感应距离
B	-	可选择的功能：NPN、PNP、推挽、外部输入（仅限引脚 2）、外部教导输入（仅限引脚 2）
P	-	可选择：NO 或 NC
	A2	2 米 PVC 电缆
	M5	M8, 4 极连接器
IO	-	IO-Link 版本

定制版本可使用更多字符。

2.3 工作模式

IO-Link 光电传感器随附两个开关输出 (SO)，可在两种不同模式下工作：SIO 模式（标准 I/O 模式）或 IO-Link 模式。

2.3.1 SIO 模式

传感器在 SIO 模式（默认）下工作时，不需要 SCTL55 或 O-Link 主站。设备作为标准光电传感器使用，当连接到 PNP、NPN 或推挽数字输入（标准 I/O 端口）时，可通过现场总线设备或控制器（例如 PLC）进行操作。这些光电传感器的最大优点之一是可以通过 SCTL55 或 O-Link 主站进行配置，然后一旦与主站断开连接，它们将保持最后的参数和配置设置。例如，这样一来，用户可以将传感器的输出单独配置为 PNP、NPN 或推挽，或者添加 T-on 和 T-off 延迟等定时器功能或逻辑功能，从而用同一个传感器满足多种应用需求。

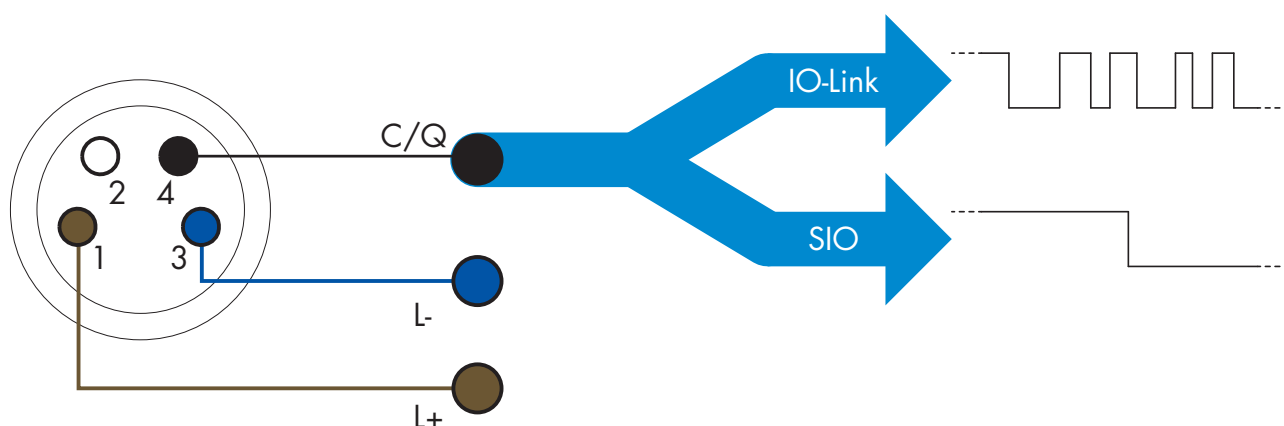
2.3.2 IO-Link 模式

IO-Link 是一种标准化 IO 技术，被全世界公认为国际标准 (IEC 61131-9)。

该技术如今被视为工业自动化环境中传感器和致动器的“USB 接口”。

当传感器连接到一个 IO-Link 端口时，SCTL55 或 IO-Link 主站会向传感器发送唤醒请求（唤醒脉冲），传感器则自动切换为 IO-Link 模式：然后，主站与传感器之间的点对点双向通信自动开始。

IO-Link 通信仅需要最大长度为 20 m 的标准 3 线非屏蔽电缆。



IO-Link 通信通过开关和通信电缆（开关状态和数据通道 C/Q 相组合）针脚 4 或黑色线的 24 V 脉冲调制标准 UART 协议进行。

例如，一个 M12 4 针脚公头具有：

- 正电源：针脚 1，棕色
- 负电源：针脚 3，蓝色
- 数字输出 1：针脚 4，黑色
- 数字输出 2：针脚 2，白色

PD30ETDx10BPxxIO 传感器的传输速率为 38.4 kBaud (COM2)。

一旦连接到 IO-Link 端口，主系统就能够远程访问传感器的所有参数和高级功能，从而能够在工作期间更改设置和配置，并且启用温度警告、温度警报和过程数据等诊断功能。

有了 IO-Link，用户可以查看已连接的设备的制造商信息和部件号（服务数据），从 V1.1 开始。有了数据存储功能，用户可以更换设备并将旧设备中存储的所有信息自动传输到更换后的设备。

访问内部参数让用户能够查看传感器的运行状况，例如通过读取内部温度。

事件数据让用户能够获得错误、警报、警告或通信问题等诊断信息。

传感器与主系统之间有两种彼此无关的不同通信类型：

- 周期性，适用于过程数据和值状态 - 这些数据周期性交换。
- 非周期性，适用于参数配置、识别数据、诊断信息和事件（例如错误消息或警告） - 可以根据要求交换这些数据。

2.3.3. 过程数据

默认情况下，过程数据显示以下参数为活动：16 位模拟值、开关输出 1 (SO1) 和开关输出 2 (SO2)。

以下参数设置为非活动：SSC1, SSC2, TA, SC, DA1, DA2, AFO1, WDA1, WDA2。

然而，通过更改过程数据配置参数，用户还可以决定启用非活动参数的状态。这样一来，用户就可以同时在传感器中观察到多个状态。

可以配置过程数据。参见2.5.3。过程数据配置。

字节 0	31	30	29	28	27	26	25	24
	MSB							
字节 1	23	22	21	20	19	18	17	16
								LSB
字节 2	15	14	13	12	11	10	9	8
			SC	TA	DA2	DA1	SSC2	SSC1
字节 3	7	6	5	4	3	2	1	0
	AFO1				WDA2	WDA1	SO2	SO1

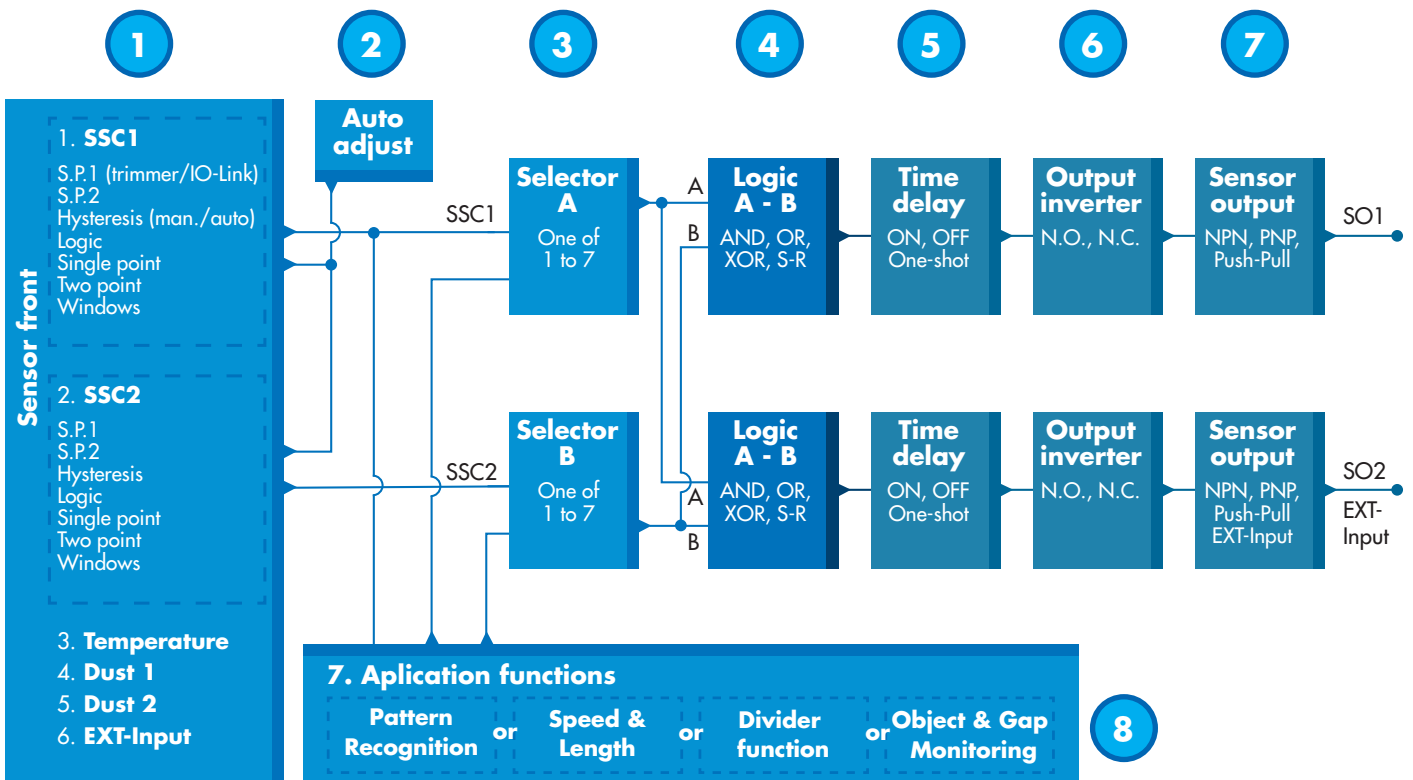
4 字节

模拟值 16 ... 31 (16 位)

2.4 输出参数

传感器可测量八种不同的物理值和四种应用功能。用户可以单独调节这些值并用作开关输出 1 或 2 的源，除此之外可以为 SO2 选择外部输入。选择这些源之一后，用户可以按照下方开关输出设置中所示的七个步骤，通过 SCTL55 或 IO-Link 主站来配置传感器的输出。

一旦传感器与主系统断开连接，它将切换为 SIO 模式并保持最后的配置设置。



1

2.4.1. 传感器正面

漫反射传感器向目标发射光，然后测量从目标反射的光水平。一旦接收到的光水平的能量超过预定水平，传感器将切换输出。感应距离取决于目标的颜色、形状和结构。

2.4.1.1. SSC (开关信号通道)

对于传感器表面前的物体的有无检测，可以使用以下设置：SSC1 或 SSC2。

设定值可设置为 100 … 1 000 mm。

2.4.1.2. 开关点模式：

每个 SSC 通道都可以在 4 种模式下运行，开关点模式可用于创建更高级的输出行为。

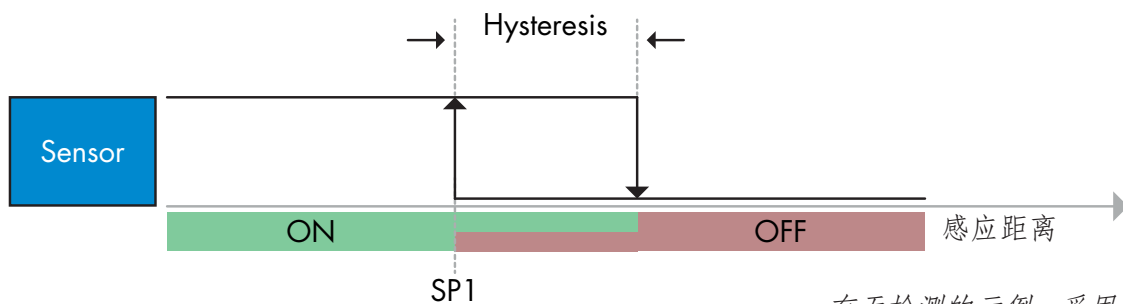
用户可以为 SSC1 和 SSC2 的开关行为选择以下开关点模式。

禁用

用户可以单独禁用 SSC1 或 SSC2，但是如果在输入选择器中选中了它，这样还会禁用输出（逻辑值将始终为“0”）。

单点模式

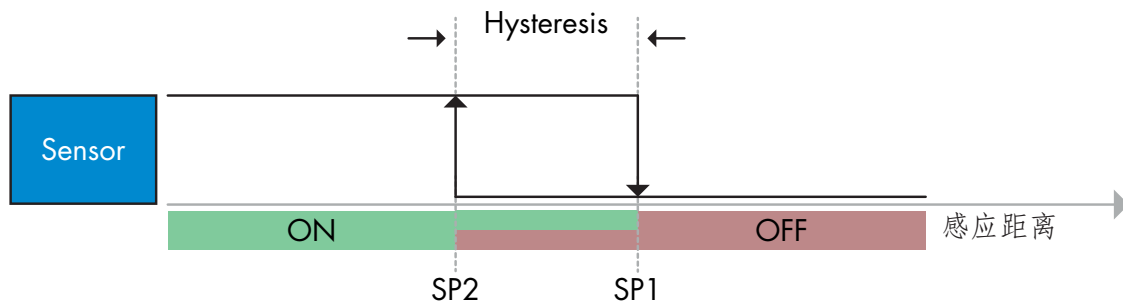
当测量值超出设定值 SP1 中定义的阈值时，开关信息将随上升或下降的测量值发生变化，同时考虑磁滞。



有无检测的示例 - 采用非反转逻辑

双点模式

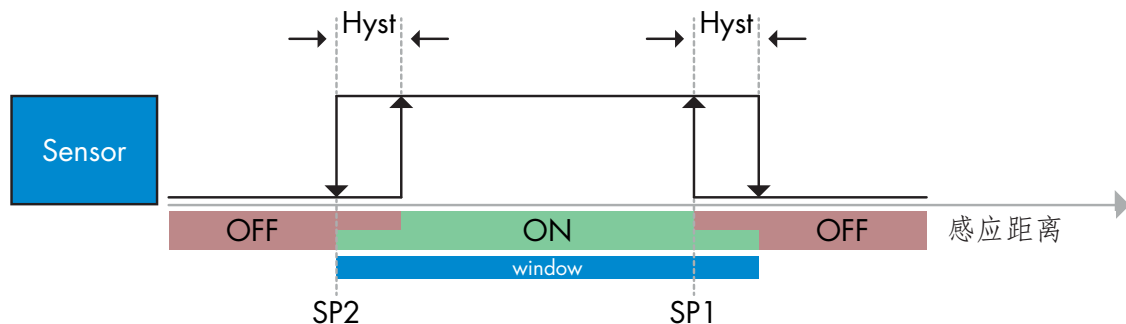
当测量值超出设定值 SP1 中定义的阈值时，开关信息将发生变化。此变化仅随上升的测量值发生。当测量值超出设定值 SP2 中定义的阈值时，开关信息也将发生变化。此变化仅随下降的测量值发生。此情况下不考虑磁滞。



有无检测的示例 - 采用非反转逻辑

窗口模式

当测量值超出设定值 SP1 和设定值 SP2 中定义的阈值时，开关信息将随上升或下降的测量值发生变化，同时考虑磁滞。



有无检测的示例 - 采用非反转逻辑

2.4.1.3. 磁滞设置

磁滞设置

SSC1 可自动或手动设置磁滞，而 SSC2 只能手动设置磁滞。磁滞设置为 SP1 和 SP2 选择的实际值的百分比。

备注：选择微调电容器时，默认磁滞为“自动”。

自动磁滞：

自动磁滞会保证大多数应用稳定运行。

磁滞参照 SP1/SP2 计算，实际值可以通过参数“SSC1 自动磁滞”读取，通常为 SP1 和 SP2 实际值的 25%。

手动磁滞：

选择手动磁滞后，磁滞的更改范围为 5% 至 99%

对于不需要自动磁滞的应用，可以手动配置磁滞。这一功能使传感器的用途更加广泛。

备注：选择低于自动磁滞的磁滞时，必须特别注意应用。

2.4.1.4. 粉尘警报 1 和粉尘警报 2

可以单独设置安全限制。定义为感应输出切换时的数值与传感器安全检测（即使有轻微粉尘堆积）时的数值之间的数值。

请参阅 2.6.6 安全限制。

2.4.1.5. 水滴警报 1 和水滴警报 2

可以单独设置安全限制。定义为感应输出切换时的数值与传感器安全检测（即使有轻微水滴堆积）时的数值之间的数值。

请参阅 2.6.6 安全限制。

2.4.1.6. 温度警报 (TA)

传感器一直监控内部温度。使用温度警报设置，如果超出温度阈值，用户可以收到传感器的警报。

请参见章节 2.5.5。

可以设置两个独立的温度警报设置，其中一个用于最高温度警报，另一个用于最低温度警报。

用户可以通过非周期性 IO-Link 参数数据来读取传感器的温度。

注意!

由于内部加热，传感器测量的温度将始终高于环境温度。

环境温度与内部温度之间的差异受到应用中传感器安装方式的影响。传感器安装在金属支架中的差异将小于安装在塑料支架中的差异。

2.4.1.7. 外部输入

用户可将输出 2 (SO2) 配置为外部输入，从而允许将外部信号送入传感器，此输入可以来自第二个传感器或 PLC 或者直接来自机器输出。

2

2.4.2. 自动调节

可以启用自动调节功能，补偿粉尘或水滴的堆积。

基于微调电容器预设的设定值，传感器可通过 IO-Link SSC1_SP1 / SSC2_SP1 或教导持续监测来自目标和背景接收的信号，如果不能达到稳定的“开”或“关”状态，则可向上或向下调整设定值。

如果自动调节已达到最大灵敏度并需要清洁，则会激活粉尘警报。

如果自动调节已达到最小灵敏度并需要清洁，则会激活水滴警报。

3

2.4.3. 输入选择器

此功能块让用户能够选择任何从“传感器正面”到通道 A 或 B 的信号。

通道 A 和 B：可以从 SSC1、SSC2、粉尘警报 1、粉尘警报 2、水滴警报 1、水滴警报 2、温度警报和外部输入中选择。


4

2.4.4. 逻辑功能块

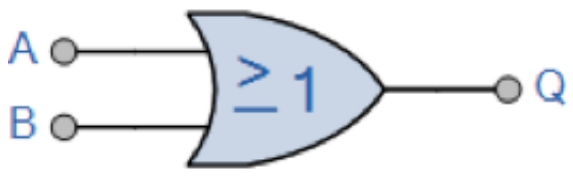
在逻辑功能块中，用户可以向输入选择器中的选定信号直接添加逻辑功能，而不使用 PLC - 从而使分散式决策成为可能。

可用的逻辑功能为：AND、OR、XOR、SR-FF。

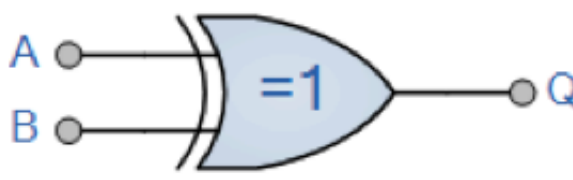
AND 功能

符号	真值表		
	A	B	Q
 <p>2 输入与门</p>	0	0	0
	0	1	0
	1	0	0
	1	1	1
	布尔表达式 $Q = A \cdot B$		
读作 A 与 B 得到 Q			

OR 功能

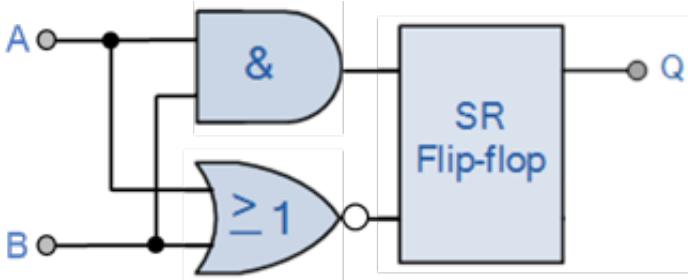
符号	真值表		
 <p>2 输入或门</p>	A	B	Q
	0	0	0
	0	1	1
	1	0	1
	1	1	1
布尔表达式 $Q = A + B$	读作 A 或 B 得到 Q		

XOR 功能

符号	真值表		
 <p>2 输入异或门</p>	A	B	Q
	0	0	0
	0	1	1
	2 输入或门		1
	1	1	0
布尔表达式 $Q = A \oplus B$	A 或 B 但非两者得到 Q		

“有门 SR-FF” 功能

该功能专门用于：例如，只需使用两个相互连接的传感器，就可以根据相邻的进料器或受料器的填充状态为缓冲输送机提供启动或停止信号。

符号	真值表		
	A	B	Q
	0	0	0
	0	1	X
	1	0	X
	1	1	1

X - 输出无任何变化。

2.4.5. 定时器（可以为 Out1 和 Out2 单独设置）

定时器让用户能够通过编辑 3 个定时器参数来引入不同的定时器功能：

- 定时器模式
- 定时器标度
- 定时器值

2.4.5.1. 定时器模式

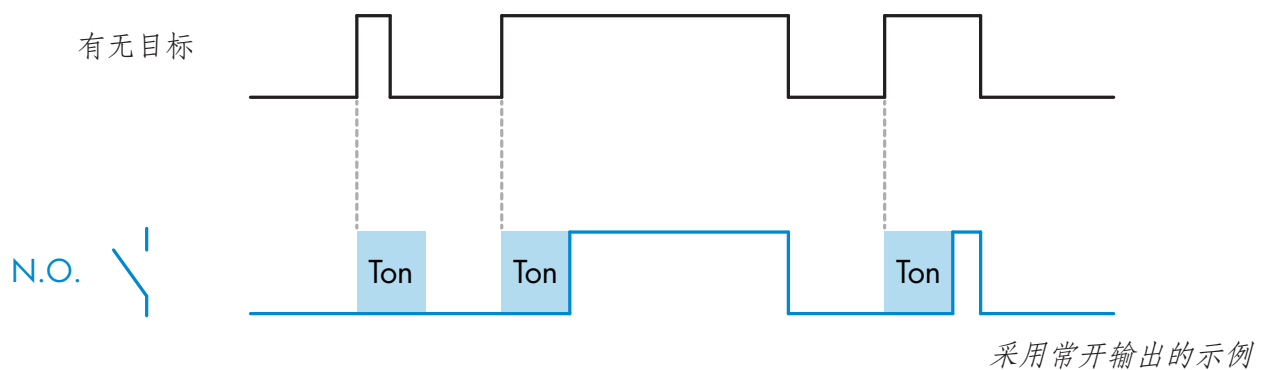
选择开关输出中引入的定时器功能类型。可以选择以下任一功能：

2.4.5.1.1. 禁用

无论定时器标度和定时器延迟的设置如何，此选项都将禁用定时器功能。

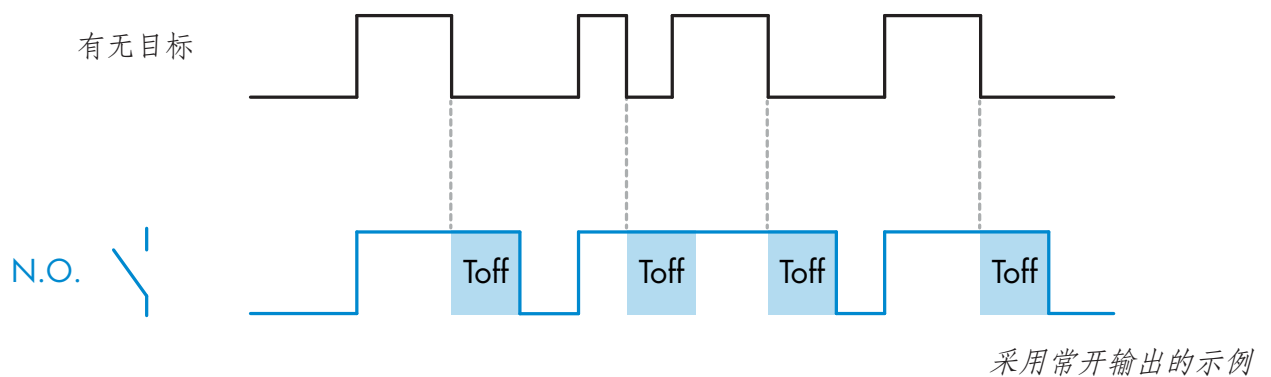
2.4.5.1.2. 打开延迟 (T-on)

在实际传感器驱电之后生成开关输出的激活，如下图所示。



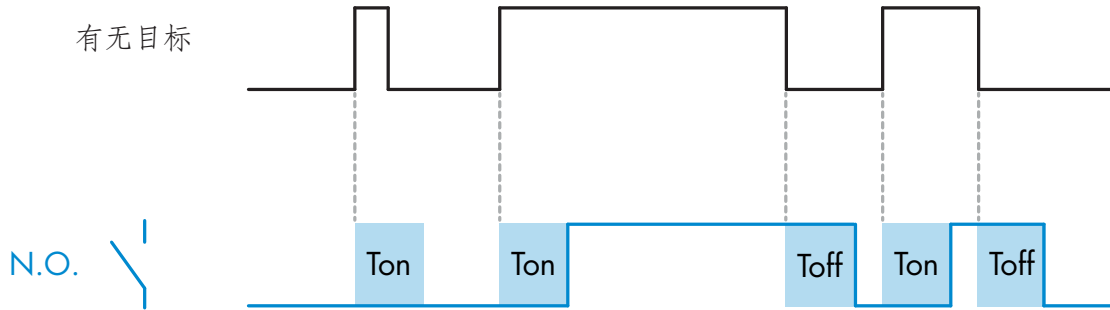
2.4.5.1.3. 关闭延迟 (T-off)

与在传感器前面移走目标的时间相比，开关输出的取消激活将延迟，如下图所示。



2.4.5.1.4. 开延迟和关延迟 (T-on 和 T-off)

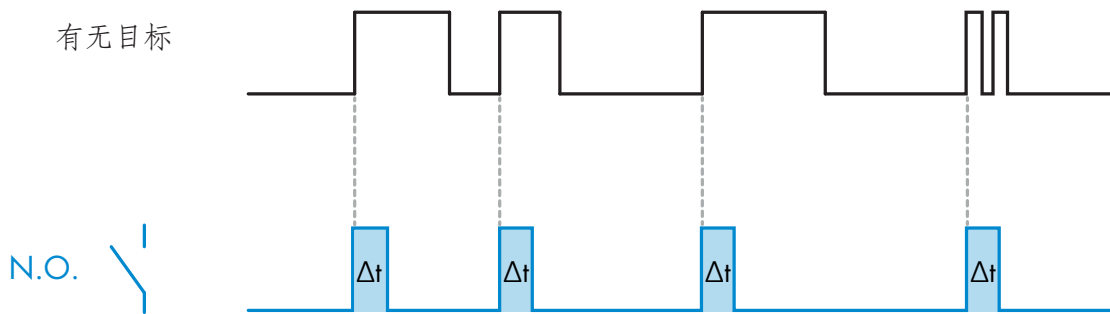
选中时，T-on 和 T-off 延迟都将应用到开关输出的生成。



采用常开输出的示例

2.4.5.1.5. 单次上升沿

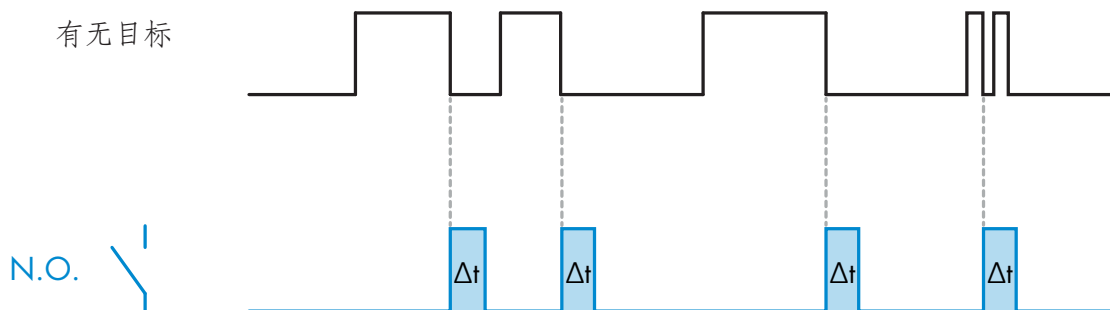
每当在传感器前面检测到目标时，开关输出都将在检测的上升沿生成恒定长度的脉冲。请参见下图。



采用常开输出的示例

2.4.5.1.6. 单次下降沿

类似于单次上升沿模式的功能，但在此模式下，开关输出在激活的下降沿发生变化，如下图所示。



采用常开输出的示例

2.4.5.2. 定时器标度

参数定义定时器延迟中指定的延迟应为毫秒、秒还是分钟

2.4.5.3. 定时器值

参数定义延迟的实际持续时间。延迟可以设置为 1 和 32 767 之间的任意整数值

6

2.4.6. 输出逆变器

此功能让用户能够在常开与常闭之间反转开关输出的工作。

建议功能!

将位于 SO1 的 64 (0x40) 子索引 8 (0x08) 和 SO2 的 65 (0x41) 子索引 8 (0x08) 下的参数中的建议功能添加到传感器的逻辑功能或定时器功能之后，不会对这些功能产生任何负面影响。

警告!

建议不要使用位于 SSC1 的 61 (0x3D) 子索引 1 (0x01) 和 SSC2 的 63 (0x3F) 子索引 1 (0x01) 下的开关逻辑功能，因为它们会对逻辑功能或定时器功能产生负面影响，例如，使用此功能会在为 SSC1 和 SSC2（并非仅为 SO1 和 SO2）添加该功能时将开延迟转变为关延迟。

7

2.4.7. 输出阶段模式

在此功能块中，用户可以选择开关输出是否应运行：

SO1：已禁用、NPN、PNP 或推挽配置。

SO2：已禁用、NPN、PNP、推挽、外部输入（高电平有效/下拉）、外部输入（低电平有效/上拉）或外部教导输入。

8

2.4.8. 应用功能

只能通过 IO-Link 选择 4 种独特的应用功能。

- 速度和长度。
- 图案识别。
- 分配器。
- 物体和间隙监视。

所有应用功能的出厂设置均为禁用。

2.4.8.1. 速度和长度

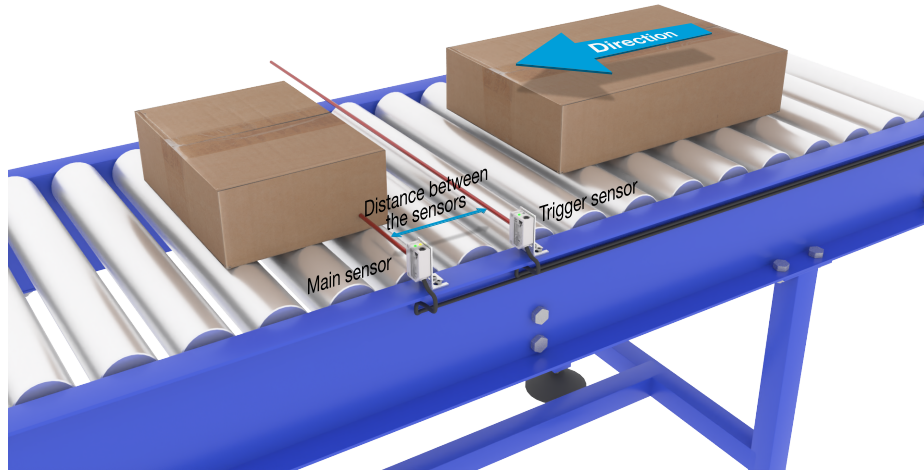
此功能专门用于通过两个互相连接的传感器监测物体的长度以及传送带的速度。如果 IO-Link 主站上可直接使用以 mm 为单位的长度和以 mm/s 为单位的速度，则提供实际值。

长度或速度都可以设置为过程数据。

2.4.8.1.1. 条件

该功能需要两个传感器：一个触发传感器和一个主传感器。

2.4.8.1.2. 速度和长度 - 设置步骤



扳机与主传感器对准

传感器准备

- 1) 在输送机上安装两个传感器，相互距离可设为 100 mm
- 2) 将这两个传感器连接到 SCTL55 或 IO-Link 主站
- 3) 上传 SCTL55 或 IO-Link 主站中的 IODD 文件
- 4) 接通传感器的电源
- 5) 使用 SCTL55 或 IO-Link 主站将传感器恢复为出厂设置。
- 6) 对准两个传感器，使光束相互平行并瞄准目标。
- 7) 调整传感器的灵敏度，以对物体进行可靠的检测。
(黄色 LED 灯必须保持常亮，而绿色 LED 灯亮起则表示稳定开启和 IO-Link 模式)

IO-Link 参数设置 (请参见章节 7.2.7.1. 中的“数据范围”选项)

- 8) 触发传感器：
 - (物体先到达触发传感器)
 - a) 在 SCTL55 或 IO-Link 主站中选择“速度和长度”；菜单“参数”->“应用功能”
 - b) 选择“传感器角色”、“触发传感器”
 - c) 已为触发传感器完成 IO-Link 参数设置
- 9) 主传感器：
 - (计算速度和长度并通过 IO-Link 提供数据)
 - a) 将传感器重置为“恢复出厂设置”
(如果已在第 5 点中执行，则可以跳过此步骤)。
 - b) 在 SCTL55 或 IO-Link 主站中选择“速度和长度”；菜单“参数”->“应用功能”
 - c) 选择“传感器角色”、“主传感器”。
 - d) 在“速度和长度测量主传感器”->“传感器之间的距离”菜单中输入两个传感器之间的距离 [mm]。
 - e) 如果需要，应在“过程数据配置”->“模拟值”下的“观察菜单”中的“过程数据”中选择“物体长度”或“物体速度”。
 - i. 物体长度将以 [mm] 为单位进行显示
 - ii. 物体速度将以 [mm/s] 为单位进行显示
- 10) 将触发传感器的传感器输出准备针脚 2 连接到主传感器的输入针脚 2
- 11) 速度和长度功能现已准备就绪。

注意! 在测量期间，输送机速度的变化可能会影响结果。

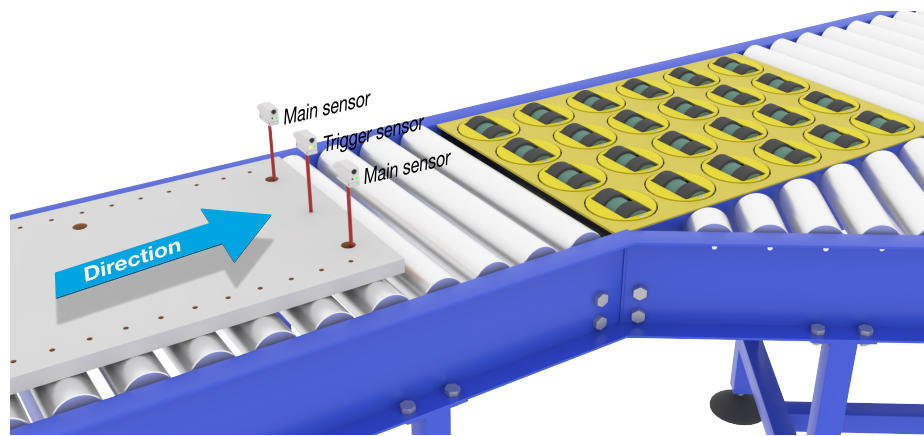
2.4.8.2. 图案识别

图案识别功能用于验证所制造的零件是否有预期的所有孔洞或螺纹，以及零件是否按照规格制造。可以将零件的图案记录到传感器中，然后将随后的零件与预先记录的图案进行比较。如果图案匹配，则传感器将以独立操作或通过 IO-Link 主站以正信号或命令做出响应。图案最多包含 20 条边缘、10 个孔洞或 10 条螺纹。如果要检测多个图案，则可以将多个主传感器连接到单个触发传感器。

2.4.8.2.1. 条件

该功能需要两个传感器：一个触发传感器和一个主传感器，但是如果必须同时检查一个以上的图案，则可以将多个主传感器连接到触发传感器。

2.4.8.2.2. 图案识别 - 设置步骤



扳机与主传感器对准

传感器准备

- 1) 将两个传感器串联安装在输送机上，使物体能同时到达两个传感器。
- 2) 将这两个传感器连接到 SCTL55 或 IO-Link 主站
- 3) 上传 SCTL55 或 IO-Link 主站中的 IODD 文件
- 4) 接通传感器的电源
- 5) 使用 SCTL55 或 IO-Link 主站将传感器恢复为出厂设置。
- 6) 对准两个传感器，以便光束能同时检测目标的边缘。
- 7) 必须安装触发传感器，以检测目标在哪个位置最宽。
- 8) 必须安装主传感器，以检测包含要检查的图案的螺纹或孔洞
- 9) 调整传感器的灵敏度，以对目标进行可靠的检测。
(黄色 LED 灯必须保持常亮，而绿色 LED 灯亮起则表示稳定开启和 IO-Link 模式)

IO-Link 参数设置 (请参见章节 7.2.7.2. 中的“数据范围”选项)

- 10) 触发传感器：
 - a) 在 SCTL55 或 IO-Link 主站中选择“图案识别”；菜单“参数”->“应用功能”
 - b) 选择“传感器角色”、“触发传感器”
 - c) 已为触发传感器完成 IO-Link 参数设置
- 11) 主传感器：
 - a) 在 SCTL55 或 IO-Link 主站中选择“图案识别”；菜单“参数”->“应用功能”
 - b) 选择“传感器角色”、“主传感器”。
 - c) 在菜单“图案识别设置”->“超时”中为最大评估时间输入超时值，介于 1 至 60 秒之间（默认值为 60 秒）。
 - d) 在菜单“图案识别设置”->“公差”中，如果以 0/00（千分率）为单位的图案的设置值介于 1 和 200 0/00 之间（默认值为 50 0/00），则输入公差
- 12) 将触发传感器的传感器输出准备针脚 2 连接到主传感器的输入针脚 2

教导图案

- 13) 激活“教导图案”命令以开始学习图案
- 14) 以稳定的速度移动目标，使其完全通过两个传感器
注意! 在测量期间，输送机速度的变化可能会影响结果。
- 15) 传感器响应：
 - a) “图案识别结果” -> “参考图案”中的“已保存图案”
 - b) “图案识别结果” -> “图案边缘个数”中的“例如 12”（计算图案目标的前缘和后缘）。
 - c) 每个边缘以 ms 为单位从完整目标的前缘开始保存，并可在“观察”菜单中找到。
 与新图案比较时，将边缘作为完整目标的百分比值进行标准化。
 这样确保可在各种恒定的速度下识别图案。
- 16) 图案可以在 SCTL55 或 IO-Link 主站中作为项目保存，稍后再发送回传感器以检测这个已保存的特定图案。
- 17) 图案识别功能现已准备就绪。
- 18) 再次以稳定的速度移动目标，使其完全通过两个传感器
- 19) 传感器对功能做出响应
 - a) “图案识别结果” -> “上一个图案的边缘个数”中的“例如 12”
- 20) “图案识别结果” -> “图案识别状态”中的“图案匹配”

独立功能 SIO 模式

- 21) 断开传感器与 SCTL55 或 IO-Link 主站的连接，并将针脚 4 连接到分散式塔灯或正常/故障的传送带
- 22) 一旦检测到有效图案，针脚 4 输出将以 1 秒脉冲做出响应。

多个图案

仅使用一个触发器传感器和多个主传感器，就可以在同一目标上同时检测到多个图案，每个主传感器都会对单个图案作出响应。

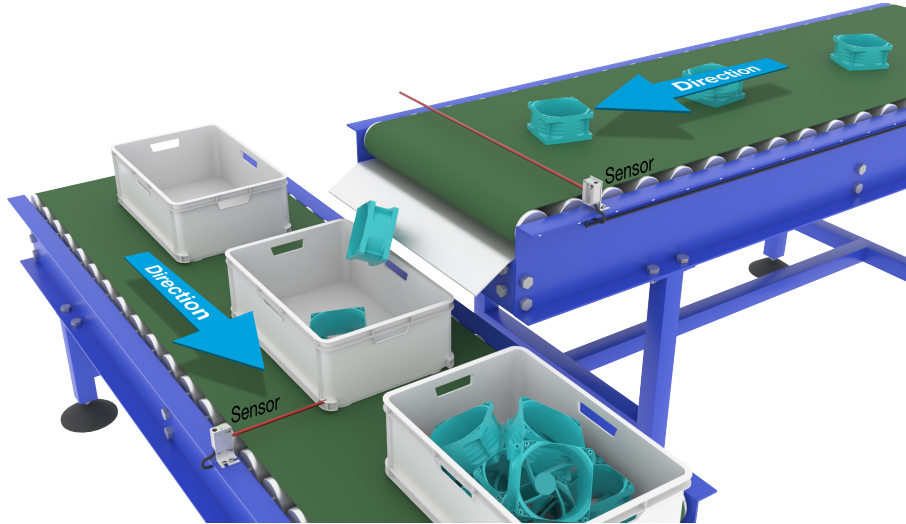
2.4.8.3. 分配器功能

此功能允许用户在更改输出之前设置要执行的计数值。默认情况下，此值设置为 1，每次激活都会导致输出发生变化。如果将此值设置为较高值（例如 10），则传感器将每 10 次检测进行一次输出，并对物体后缘进行计数。在下面的应用示例中，传感器必须在检测到 8 个产品后给出一个信号。传感器输出将指示“纸箱已满”，新纸箱将移动到主输送机的前面。可以通过预先配置为外部复位按钮的 SO2 手动将计数器复位。

2.4.8.3.1. 条件

此功能只需要使用一个传感器。

2.4.8.3.2. 分配器功能 – 设置步骤



传感器对准

传感器准备

- 1) 将传感器安装在输送机上，使在后缘检测到的目标落入纸箱中。
- 2) 将传感器连接到 SCTL55 或 IO-Link 主站
- 3) 上传 SCTL55 或 IO-Link 主站中的 IODD 文件
- 4) 接通传感器的电源
- 5) 使用 SCTL55 或 IO-Link 主站将传感器恢复为出厂设置。
- 6) 对准传感器，使光束可以检测到目标。
- 7) 调整传感器的灵敏度，以对目标进行可靠的检测。
(黄色 LED 灯必须保持常亮，而绿色 LED 灯亮起则表示稳定开启和 IO-Link 模式)

IO-Link 参数设置 (请参见章节 7.2.7.3. 中的“数据范围”选项)

- 8) 在 SCTL55 或 IO-Link 主站中选择“分配器”；菜单“参数”->“应用功能”
- 9) 在菜单“分配器和计数器”->“计数器限值”中输入计数器值，介于 1 至 65 535 之间
(默认值为 1)
- 10) 如果需要预设值，可以在菜单“分配器和计数器”->“预设计数器值”进行设置，介于 0 至 65 535 之间 (默认值为 0)

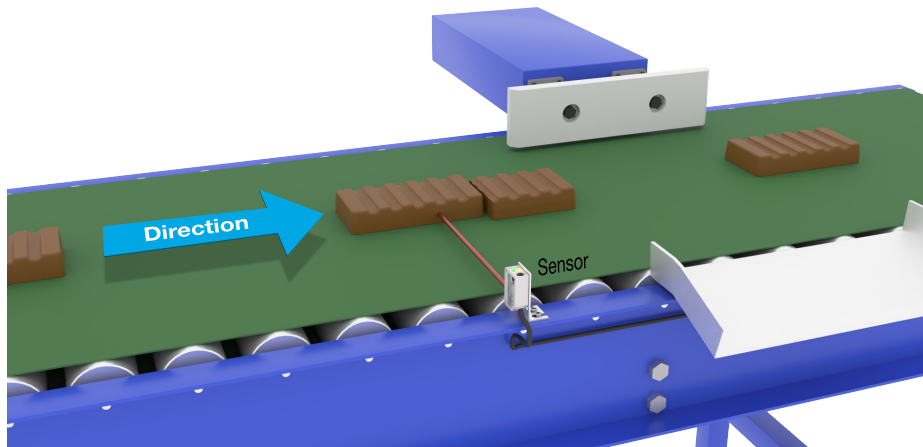
2.4.8.4. 物体和间隙监视

此功能专门用于监测传送带上物体的长度和下一个物体之间的间隙是否在一定范围内。如果物体尺寸过小，物体互相重叠，或者两个物体之间的间隙对于后续过程来说过小，则独立传感器将发出信号。

2.4.8.4.1. 条件

此功能只需要使用一个传感器。

2.4.8.4.2. 物体和间隙监视 – 设置步骤



传感器对准

传感器准备

- 1) 将传感器安装在输送机上所需的位置。
- 2) 将传感器连接到 SCTL55 或 IO-Link 主站。
- 3) 上传 SCTL55 或 IO-Link 主站中的 IODD 文件。
- 4) 接通传感器的电源。
- 5) 使用 SCTL55 或 IO-Link 主站将传感器恢复为出厂设置。
- 6) 对准传感器，使光束瞄准要检测的目标。
- 7) 调整传感器的灵敏度，以对目标进行可靠的检测。
(黄色 LED 灯必须保持常亮，而绿色 LED 灯亮起则表示稳定开启和 IO-Link 模式)

IO-Link 参数设置 (请参见章节 7.2.7.4. 中的“数据范围”选项)

- 8) 在 SCTL55 或 IO-Link 主站中选择“物体和间隙监视”；菜单“参数”->“应用功能”。
- 9) 物体时间：
 - a) 在菜单“物体和间隙监视”->“物体最小时间”输入目标出现的最短时间，介于 10 至 60 000 ms (默认值为 500 ms) 之间，例如 130 ms。
可以从“物体和间隙监视”->“物体时间”中读取物体时间作为辅助。
 - b) 在菜单“物体和间隙监视”->“物体最大时间”输入目标出现的最长时间，介于 10 至 60 000 ms (默认值为 500 ms) 之间，例如 150 ms。
可以从“物体和间隙监视”->“物体时间”中读取物体时间作为辅助。
- 10) 间隙时间：
 - a) 在菜单“物体和间隙监视”->“间隙最大时间”输入间隙出现的最长时间，介于 10 至 60 000 ms (默认值为 500 ms) 之间，例如 110 ms。
可以从“物体和间隙监视”->“间隙时间”中读取物体时间作为辅助。
 - b) 在菜单“物体和间隙监视”->“最短间隙时间”中输入最长间隙时间，介于 10 至 60 000 ms (默认值为 500 ms) 之间，例如 130 ms。
可以从“物体和间隙监视”->“物体时间”中读取物体时间作为辅助。
- 11) 传感器现已准备就绪。
- 12) 物体长度参数将在以下几项之间切换：测量正在运行、限制范围内、时间过长或时间过短。
- 13) 间隙长度参数将在以下几项之间切换：测量正在运行、限制范围内、时间过长或时间过短。

独立功能 SIO 模式

- 14) 断开传感器与 SCTL55 或 IO-Link 主站的连接。
 - 15) 如果对象时间过长或过短，输出针脚 4 将激活。
 - 16) 如果间隙时间过长或过短，输出针脚 2 将激活。
- 注意!** 如果将逻辑“或”功能添加到其中一个输出，则将其作为物体和间隙的常见错误输出使用。

2.5. 传感器特定可调参数

除了与输出配置直接相关的参数，传感器还有各种可用于设置和诊断的内部参数。

2.5.1. 本地或远程调整的选择

用户可以选择如何设置感应距离，方法是使用传感器的外部输入选择“微调电容器输入”或“通过导线教导”，或者选择“IO-Link 调节”禁用电位计以使传感器防篡改。

2.5.2. 微调电容器数据

13500 至 70 个单位之间的值相当于 100 至

2.5.3. 过程数据配置

当传感器在 IO-Link 模式下工作时，用户能够访问周期性过程数据变量。

默认情况下，过程数据显示以下参数为活动：16 位模拟值、开关输出 1 (SO1) 和开关输出 2 (SO2)。

以下参数设置为非活动：SSC1, SSC2, DA1, DA2, TA, SC, WDA1, WDA2, AFO1。

然而，通过更改过程数据配置参数，用户还可以决定启用非活动参数的状态。这样一来，用户就可以同时在传感器中观察到多个状态。

注意！ 如果选择了应用功能，则可以在“观察”选项卡中选择“模拟值”的更多选项。

2.5.4. 传感器应用设定

传感器具有 3 个传感器应用预设，可根据环境选择。

- 默认精度（过滤器定标器固定为 1）
- 高精度（过滤器定标器固定为 10 - 较慢）
- 自定义（过滤器定标器可设置为 1-255）

精度可以通过参数“过滤器定标器”进行调整。

2.5.5. 温度警报阈值

可以针对最高和最低温度更改将激活温度警报的温度。这意味着传感器将在超出最高或最低温度时发出警报。温度可以设置为 $-50\text{ }^{\circ}\text{C}$ 至 $+150\text{ }^{\circ}\text{C}$ 之间。默认出厂设置为：低阈值 $-30\text{ }^{\circ}\text{C}$ ，高阈值 $+120\text{ }^{\circ}\text{C}$ 。

2.5.6. 安全限制

可以用 SP1 和 SP2 的百分比形式为传感器设置安全限制，也可以单独为 SSC1 和 SSC2 设置安全限制。用于计算安全开启或安全关闭信号。

- 粉尘警报：如果超出安全限制，将启动粉尘警报，另请参见粉尘警报描述
- 水滴警报：如果超出安全限制，将启动粉尘警报，另请参见粉尘警报描述
- 自动调节：当达到自动调节功能的安全限制时，将激活警报以清洁传感器表面。
- 绿色 LED 灯也受安全限制的影响，可用于设置感应距离，应手动调节，直到“安全开启”LED 灯亮起为止。

2.5.6.1. 稳定开启

当传感器检测到比输出打开的值高 x%（由安全限制设置）的信号时，传感器稳定开启。

2.5.6.2. 稳定关闭

当传感器检测到比输出关闭的值低 x%（由安全限制设置）的信号时，传感器稳定关闭。

2.5.7. 事件配置

传感器中默认关闭通过 IO-Link 接口传输的温度事件。如果用户要获得与传感器应用中检测的临界温度有关的信息，此参数可用于启用或禁用以下 3 种事件：

- 温度错误事件：传感器检测到指定工作范围以外的温度。
- 温度超载运行：传感器检测到高于温度警报阈值中设置的温度。
- 温度欠载运行：传感器检测到低于温度警报阈值中设置的温度。
- 短路：传感器检测传感器输出是否短路。

2.5.8. 运行质量 QoR

运行质量会告知用户传感器的实际性能，评估以下参数：

最大信号、最小信号、磁滞、SP 和安全限制。

QoR 值可能在 0 至 255% 之间变化。

每个检测周期都会更新 QoR 值。

下表中列出了 QoR 示例。

运行质量值	定义
> 150%	出色的感应条件，传感器应该没有任何维护问题。
100%	良好的感应条件，传感器的性能与教导设定值或者用两倍标准磁滞的安全裕量手动设置设定值时相同。 <ul style="list-style-type: none"> • 所有环境条件下应该都能实现长期可靠性。 • 应该不需要维护。
50%	一般的感应条件 <ul style="list-style-type: none"> • 因环境条件，短期可靠性和维护性可能会达到预期。 • 应该能实现具有受限制的环境影响的可靠检测。
0%	应该是性能很差或不可靠的感应条件。

2.5.9. 教导质量 QoT

“教导”值的质量可让用户了解每个程序实际执行的情况，并评估以下参数之间的关系：

TP2、TP1、磁滞和安全限制。

QoT 值可能在 0 至 255% 之间变化。

每次教导程序之后都会更新 QoT 值。

下表中列出了 QoT 示例。

教导质量值	定义
> 150%	出色的教导条件，传感器应该不需要任何维护。
100%	良好的教导条件，传感器已经过教导，并将安全限制设置为标准安全设置： <ul style="list-style-type: none"> • 所有环境条件下应该都能实现长期可靠性。 • 应该不需要维护。
50%	一般的教导条件。 <ul style="list-style-type: none"> • 短期可靠性，因环境条件而需要维护。 • 应该能实现具有受限制的环境影响的可靠检测。
0%	很差的教导结果。 <ul style="list-style-type: none"> • 应该是工作感应条件不可靠。（例如目标与环境之间的测量差距过小）。

2.5.10. 过量增益

过量增益值描述了光电传感器“PES”接收到的光与操作光电接近开关所需的光的比率。

过量增益值可以在 SCTL55 或 IO-Link 主站的“诊断”选项卡中找到。

$$\text{过量增益} = \frac{\text{传感器接收到的光}}{\text{切换输出所需的光}}$$

2.5.11. 过滤器定标器

此功能可提高对不稳定目标和电磁干扰的免疫力：用户可将值设置为 1 … 255，默认出厂设置为 1。过滤器设置为 1 时提供最大感应频率，设置为 255 时提供最小感应频率。

2.5.12. 相互干扰

在最佳安装情况中，传感器在安装后必须不会相互干扰，然而在某些情况下这是不可能的，因此可以使用相互干扰保护功能。使用该功能可显著提高抗扰性，但也会对感应速度带来负面影响。激活过滤器后，传感器将分析接收信号并尝试过滤掉受污染的脉冲。

- 1 传感器模式：适用于传感器受到外来传感器、强光手电筒或强调制光源（如 LED 灯）干扰的环境。
响应时间增加 5 倍
- 2 传感器模式：适用于两个相同的传感器相互干扰的情况。
响应时间增加 5 至 6 倍
- 3 传感器模式：适用于三个相同的传感器相互干扰的情况。
响应时间增加 5 至 7 倍

2.5.13. LED 指示

LED 指示可以配置为 3 种不同的模式：未启用，启用或查找查找传感器。

未启用：LED 始终关闭。

启用：LED 遵循 5.1 中的指示方案。

查找传感器：LED 以 2Hz 的频率交替闪烁，占空比为 50%，以便轻松定位传感器。

2.5.14. 磁滞模式

请参阅 2.4.1.3. 磁滞设置

2.5.15. 自动磁滞值

请参阅 2.4.1.3. 磁滞设置

2.6. 使用 SCTL55 或 IO-Link 主站的教导程序

设定值可以使用教导程序进行设置，这样可确保将设定值设置为最佳值，同时将安全限制和磁滞纳入考量。

2.6.1. 外部教导（通过导线教导）

注意！ 此功能在单点模式下有效，并且仅对 SSC1 中的 SP1 有效。

用户必须首先使用 SCTL55 或 IO-Link 主系统选择“通过导线教导”功能：

- 在“通道 2 (SO2)”->“通道 2 设置阶段模式”中选择“教导”。
- 在“切换信号通道 1”->“SSC1 配置模式”中选择“单点模式”。
- 在“SSC1 单点”->“本地/远程调整的选择”中选择“通过导线教导”。

通过导线教导程序。

- 将目标放在传感器前。
- 将教导导线输入（针脚 2 的白色导线）连接到 V+（针脚 1 的棕色导线）。
黄色 LED 开始以 1 Hz 频率（10% 亮度）闪烁，表明教导正在运行。
- 3-6 秒后，教导窗口打开。此时闪烁模式变为 90% 亮度。松开白色导线。
- 如果教导成功完成，黄色 LED 会闪烁 4 次（2 Hz，50% 亮度）。
- 新的教导设定值可以在“SSC1 单点”->“设定值”->“SSC1 参数设定值 1”中找到。
如果教导失败或暂停，传感器会退出教导模式。

注意： 如果在教导窗口外部松开白色导线，则教导暂停。

如果未在 12 秒内松开白色导线，则教导暂停，超时由黄色 LED 快速闪烁（5 Hz，50% 亮高）指示。

2.6.2. 通过 IO-Link 主站或智能配置器 (SCTL55) 进行教导

- 选择 SSC1 或 SSC2 配置模式：
SSC1： 选择：“切换信号通道 1”->“SSC1 配置模式”中的“单点”、“窗口”或“双点”。
注意！ 如果选择“单点”，则必须在“SSC1 单点”->“本地/远程调整的选择”中选择“IO-Link 调整”
SSC2： 选择：“切换信号通道 2”->“SSC2 配置模式”中的“单点”、“窗口”或“双点”。
- 选择要教导的频道，例如“教导”->“教导选择”中的“切换信号通道 1”或“切换信号通道 2”。

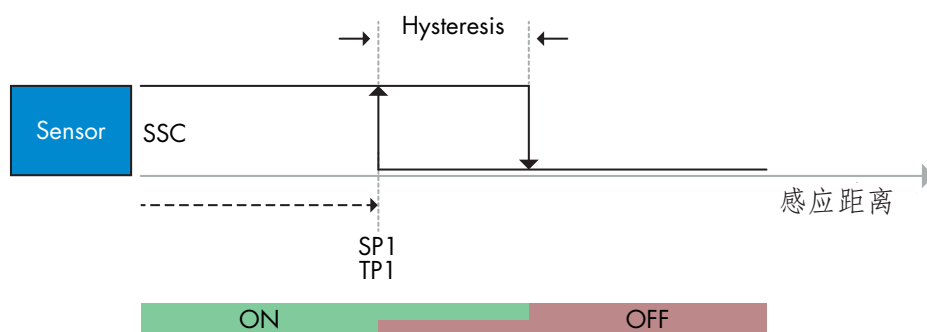
2.6.2.1. 单点模式程序

1) 单值教导命令序列：

单值教导命令序列。

（按钮可在“教导 SSC1”或“教导 SSC2”->“教导单值 SSC1”或“教导单值 SSC2”中找到）。

- 将目标放在传感器前。
- 按下“教导 SP1”。
- 教导结果将在->“教导结果。教导状态”中显示，例如“成功”。
- QoT 将在->“教导质量”中显示，例如 100%。



2) 动态教导命令序列

单值教导命令序列的动态教导

(按钮可在“教导 SSC1”或“教导 SSC2”->“教导动态 SSC1”或“教导动态”中找到)

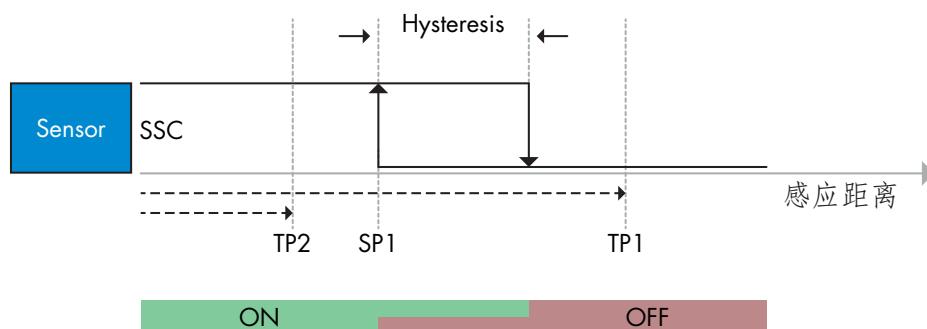
1. 按下“教导 SP1 开始”。
2. 将目标移入和移出检测区域，即传感器前侧略有不同的位置。
3. 按下“教导 SP1 停止”。
4. 教导结果将在->“教导结果。教导状态”中显示，例如“成功”
5. QoT 将在->“教导质量”中显示，例如 150%

3) 双值教导命令序列

SP1 的双值教导

(按钮可在“教导 SSC1”或“教导 SSC2”->“教导双值 SSC1”或“教导双值 SSC2”中找到)

1. 将目标移动到 SP1 TP1 的位置
 - A. 按下“教导 SP1 TP1”
 - B. “教导结果。设定值 1 的教导点 1” = 例如“正常”
 - C. 教导结果。教导状态 = 例如“等待命令”
2. 将目标移动到 SP1 TP2 的位置
 - A. 按下“教导 SP1 TP2”。
 - B. “教导结果。设定值 1 的教导点 2” = 例如“正常”
 - C. 教导结果。教导状态，例如“成功”
3. QoT 将在->“教导质量”中显示，例如 150%



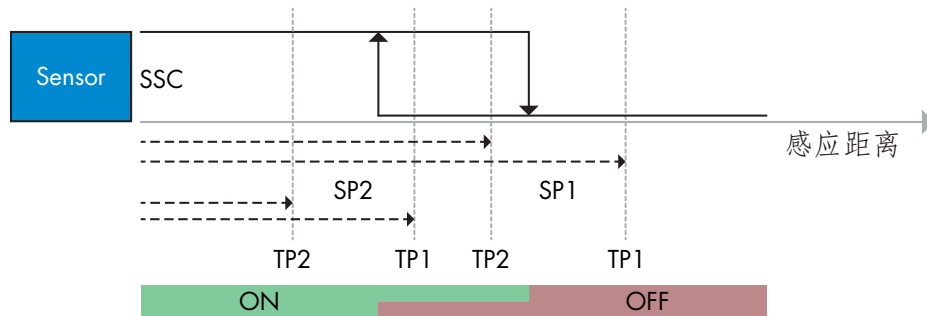
2.6.2.2. 双点模式程序

1) 双值教导命令序列

按钮可在以下菜单中找到：

“教导 SSC1” 或 “教导 SSC2” -> “教导双值 SSC1” 或 “教导双值 SSC2”

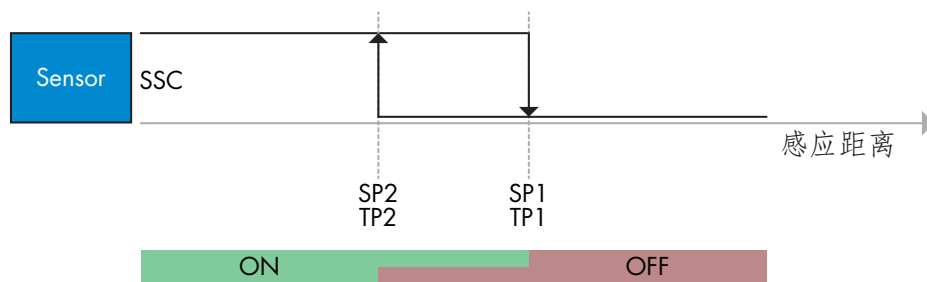
1. 将目标移动到 SP1 TP1 的位置
 - A. 按下 “教导 SP1 TP1”
 - B. “教导结果。设定值 1 的教导点 1” = 例如 “正常”
 - C. 教导结果。教导状态 = 例如 “等待命令”
2. 将目标移动到 SP1 TP2 的位置
 - A. 按下 “教导 SP1 TP2”
 - B. “教导结果。设定值 1 的教导点 2” = 例如 “正常”
 - C. 教导结果。教导状态 = 例如 “等待命令”
3. 将目标移动到 SP2 TP1 的位置
 - A. 按下 “教导 SP2 TP1”
 - B. “教导结果。设定值 2 的教导点 1” = 例如 “正常”
 - C. 教导结果。教导状态 = 例如 “等待命令”
4. 将目标移动到 SP2 TP2 的位置
 - A. 按下 “教导 SP2 TP2”
 - B. “教导结果。设定值 2 的教导点 2” = 例如 “正常”
 - C. 教导结果。教导状态 = 例如 “等待命令”
5. 按下 “教导应用”
 - A. 教导结果。教导状态 = 例如 “成功”
6. QoT 将在-> “教导质量” 中显示，例如 100%。



2) 动态教导命令序列：

按钮可在以下菜单中找到：“教导动态 SSC1” 或 “教导动态 SSC2” -> “教导”

1. 将目标移动到 SP1 的位置
 - A. 按下 “教导 SP1 开始”。
 - B. 教导结果。教导状态 = 例如 “等待命令”
 - C. 按下 “教导 SP1 停止”
 - D. 教导结果。教导状态 = 例如 “等待命令”
2. 将目标移动到 SP2 的位置
 - A. 按下 “教导 SP2 开始”。
 - B. 教导结果。教导状态 = 例如 “等待命令”
 - C. 按下 “教导 SP2 停止”
 - D. 教导结果。教导状态 = 例如 “等待命令”
3. 教导结果。教导状态 = 例如 “成功”
4. QoT 将在-> “教导质量” 中显示，例如 100%。



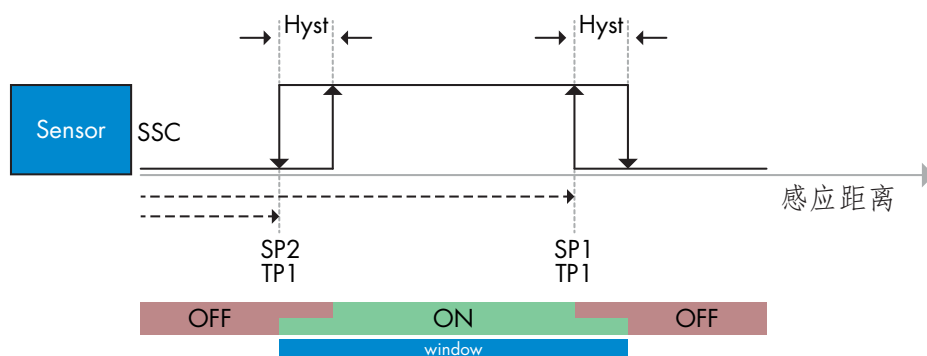
2.6.2.3. 窗口模式程序

1) 单值教导命令序列:

按钮可在以下菜单中找到:

“教导 SSC1” 或 “教导 SSC2” -> “教导单值 SSC1” 或 “教导单值 SSC2”

1. 将目标移动到 SP1 的位置
 - A. 按下 “教导 SP1”
 - B. 教导结果。教导状态 = 例如 “等待命令”
2. 将目标移动到 SP2 的位置
 - A. 按下 “教导 SP2”
 - B. 教导结果。教导状态 = 例如 “成功”
3. QoT 将在-> “教导质量” 中显示, 例如 255%。

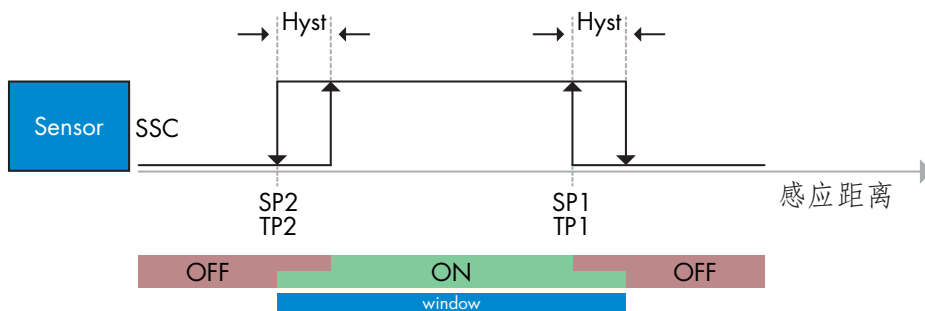


2) 动态教导命令序列:

按钮可在以下菜单中找到:

“教导 SSC1” 或 “教导 SSC2” -> “教导动态 SSC1” 或 “教导动态 SSC2”

1. 将目标移动到 SP1 的位置
 - A. 按下 “教导 SP1 开始”
 - B. 教导结果。教导状态 = 例如 “等待命令”
 - C. 按下 “教导 SP1 停止”
 - D. 教导结果。教导状态 = 例如 “等待命令”
2. 将目标移动到 SP2 的位置
 - A. 按下 “教导 SP2 开始”
 - B. 教导结果。教导状态 = 例如 “等待命令”
 - C. 按下 “教导 SP2 停止”
 - D. 教导结果。教导状态 = 例如 “成功”
3. QoT 将在-> “教导质量” 中显示, 例如 100%。



2.7. 诊断参数

2.7.1. 运行小时数

传感器有一个内置计数器，可记录传感器通电的次数。该值每小时保存一次。可通过 SCTL55 或 IO-Link 主站读取可记录的最大重启次数。

2.7.2. 重启次数 [周期]

传感器有一个内置计数器，可记录传感器通电的次数。该值每小时保存一次。可通过 SCTL55 或 IO-Link 主站读取可记录的最大重启次数。

2.7.3. 最高温度 - 始终高温 [° C]

传感器具有一项内置功能，记录传感器在其完整工作寿命期间接触的最高温度。此参数每小时更新一次，可通过 SCTL55 或 IO-Link 主站读取。

2.7.4. 最低温度 - 始终低温 [° C]

传感器具有一项内置功能，记录传感器在其完整工作寿命期间接触的最低温度。此参数每小时更新一次，可通过 SCTL55 或 IO-Link 主站读取。

2.7.5. 自上次通电以来的最高温度 [° C]

通过此参数，用户可以获得与自启动以来记录的最高温度有关的信息。该值未保存在传感器中，但可通过 SCTL55 或 IO-Link 主站读取。

2.7.6. 自上次通电以来的最低温度 [° C]

通过此参数，用户可以获得与自启动以来记录的最低温度有关的信息。该值未保存在传感器中，但可通过 SCTL55 或 IO-Link 主站读取。

2.7.7. 当前温度 [° C]

用户可以通过此参数获得关于传感器当前温度的信息。可通过 SCTL55 或 IO-Link 主站读取温度。

2.7.8. 检测计数器 [周期]

传感器记录 SSC1 的每次更改状态。此参数每小时更新一次，可通过 SCTL55 或 IO-Link 主站读取。

2.7.9. 高于最高温度的分钟数 [分钟]

传感器记录其在高于最高温度的情况下工作的分钟数。可记录的最大分钟数为 2 147 483 647。此参数每小时更新一次，可通过 SCTL55 或 IO-Link 主站读取。

2.7.10. 低于最低温度的分钟数 [分钟]

传感器记录其在低于最低温度的情况下工作的分钟数。可记录的最大分钟数为 2 147 483 647。此参数每小时更新一次，可通过 SCTL55 或 IO-Link 主站读取。

2.7.11. 下载计数器

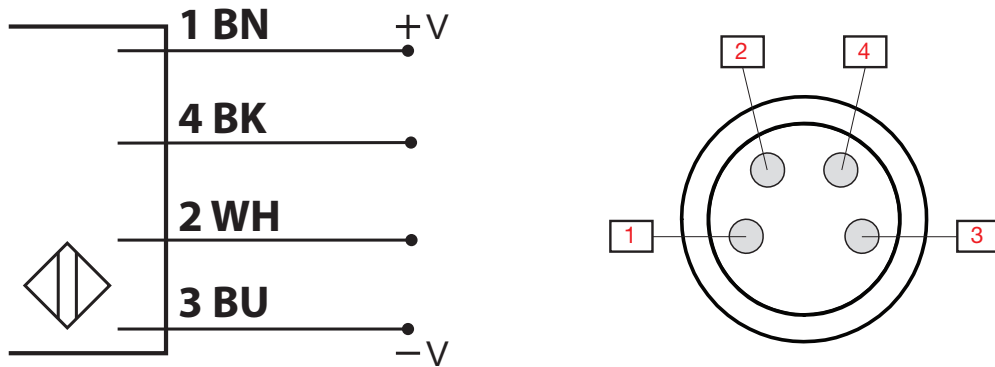
传感器记录其参数更改的次数。可记录的最大更改次数为 65 536。此参数每小时更新一次，可通过 SCTL55 或 IO-Link 主站读取。

注意!

由于内部加热，传感器测量的温度将始终高于环境温度。

环境温度与内部温度之间的差异受到应用中传感器安装方式的影响。传感器安装在金属支架中的差异将小于安装在塑料支架中的差异。

3. 接线图



针脚	颜色	信号	说明
1	棕色	10 ... 30 VDC	传感器电源
2	白色	负载	输出 2/SIO 模式/外部输入/外部教导
3	蓝色	GND	接地
4	黑色	负载	IO-Link/输出 1/SIO 模式

4. 调试

打开电源 150 ms 后，传感器开始工作。

如果传感器已连接到 IO-link 主系统，则无需更多设置，IO-Link 通信将在 IO-Link 主系统向传感器发送唤醒请求后自动开始。

5. 工作

5.1. PD30ETDx10BPxxIO...IO 的用户界面

PD30ETDx10BPxxIO...IO 传感器配备了一个黄色 LED 和一个绿色 LED。

SIO 和 IO-Link 模式				
绿色 LED	黄色 LED	功率	检测	
● ON	● OFF	ON	OFF (稳定) SSC1	
● OFF	● OFF	ON	OFF (不稳定) SSC1 或 LED 已禁用	
● OFF	● ON	ON	ON (稳定) SSC1	
● ON	● ON	ON	ON (稳定) SSC1	
● OFF	● OFF	OFF	电源未连接	
-	● 闪烁 10 Hz 50% 工作周期	ON	输出短路	
-	闪烁 (0.5 ... 20 Hz) ● 50% 工作周期	ON	定时器触发指示	
仅限 SIO 模式				
-	● 闪烁 1 Hz ON 100 ms OFF 900 ms	ON	通过导线外部教导。 仅适用于单点模式	
-	● 闪烁 1 Hz ON 900 ms OFF 100 ms	ON	教导时间窗口 (3 - 6 秒)	
-	● 闪烁 10 Hz ON 50 ms OFF 50 ms 闪烁 2 秒	ON	Teach time out (12 sec)	
-	● 闪烁 2 Hz ON 250 ms OFF 250 ms 闪烁 2 秒	ON	Teach successful	
仅限 IO-Link 模式				
● 闪烁 1 Hz ON 900 ms OFF 100 ms	● OFF	ON	传感器处于 IO-Link 模式并且 SSC1 稳定	
● 闪烁 1 Hz ON 100 ms OFF 900 ms	● ON	ON	传感器处于 IO-Link 模式并且 SSC1 不稳定	
● ● 闪烁 2 Hz 50% 工作周期		ON	Find my sensor	

6. IODD 文件和出厂设置

6.1. IO-Link 设备的 IODD 文件

传感器的所有功能、设备参数和设置值收集在一个称为 I/O 设备描述的文件（IODD 文件）中。需要 IODD 文件才能在 SCTL55 或 IO-Link 主站与传感器之间建立通信。IO-Link 设备的每个供应商都必须提供此文件并在其网站上提供下载。

IODD 文件包含：

- 过程和诊断数据
- 带有名称、允许的范围、数据和地址类型（索引和子索引）的参数描述
- 通信属性，包括设备的最小周期时间
- 设备身份、货号、设备的图片和制造商的徽标

IODD 文件可在 IODD Finder 和 Carlo Gavazzi 网站获取：<http://gavazziautomation.com>

6.2. 出厂设置

附录 7 的默认值下列出了默认出厂设置。

7. 附录

7.1. 首字母缩略词

IntegerTX	长度为 X 位的带符号整数
OctetStringT (X)	八位字节数组，长度为 X 个八位字节
PDV	过程数据变量
R/W	读写
RO	只读
SO	开关输出
SP	设定值
TP	的教导
SSC	开关信号通道
StringT (X):	ASCII 字符的字符串，长度为 X 个字符
TA	温度警报
UIntegerTX	长度为 X 位的无符号整数
WO	只写
SC	短路
DA	粉尘警报
WDA	水滴警报
AFO1	应用功能输出 1

7.2. PD30ETD 的 IO-Link 设备参数

7.2.1. 设备参数

参数名称	十进制 (十六进制) 索引	存取	默认值	数据范围	数据类型	长度
供应商名称	16 (0x10)	RO	Carlo Gavazzi	-	StringT	20 字节
供应商文本	17 (0x11)	RO	www.gavazziautomation.com	-	StringT	34 字节
产品名称	18 (0x12)	RO	(传感器名称) 例如 PD30ETDI10BPA2IO	-	StringT	20 字节
产品 ID	19 (0x13)	RO	(产品的 EAN 代码) 例如 5709870394046	-	StringT	13 字节
产品文本	20 (0x14)	RO	例如 光电传感器, 漫反射, 红光发射器, 1000 mm, 不锈钢外壳, IO-Link	-	StringT	30 字节
序列号	21 (0x15)	RO	(唯一序列号) 例如 20210315C0001	-	StringT	13 字节
硬件版本	22 (0x16)	RO	(硬件版本) 例如 v01.00	-	StringT	6 字节
固件版本	23 (0x17)	RO	(软件版本) 例如 v01.00	-	StringT	6 字节
应用特定标记	24 (0x18)	R/W	***	最多 32 个字符的任意字符串	StringT	最多 32 字节
功能标记	25 (0x19)	R/W	***	最多 32 个字符的任意字符串	StringT	最多 32 字节
位置标记	26 (0x1A)	R/W	***	最多 32 个字符的任意字符串	StringT	最多 32 字节
过程数据输入	40 (0x28)	RO	-	-	IntegerT	32 位

7.2.2. 观察

参数名称	十进制 (十六进制) 索引	存取	默认值	数据范围	数据类型	长度
过程数据配置	70 (0x46)	R/W	-	-	-	-
模拟值	1 (0x01)	R/W	1 = 正常	0 = 未启用 1 = 正常 2 = 物体长度 3 = 物体速度 4 = 计数器限值	RecordT	16 bit
开关输出 1	2 (0x02)	R/W	1 = 开关输出 1 活动	0 = 开关输出 1 不启用 1 = 开关输出 1 启用	RecordT	16 bit
开关输出 2	3 (0x03)	R/W	1 = 开关输出 2 活动	0 = 开关输出 2 不启用 1 = 开关输出 2 启用	RecordT	16 bit
开关信号通道 1	4 (0x04)	R/W	0 = SSC1 非活动	0 = SSC1 未启用 1 = SSC1 启用	RecordT	16 bit
开关信号通道 2	5 (0x05)	R/W	0 = SSC2 非活动	0 = SSC2 未启用 1 = SSC2 启用	RecordT	16 bit
粉尘警报 1	6 (0x06)	R/W	0 = DA1 未启用	0 = DA1 未启用 1 = DA1 启用	RecordT	16 bit
粉尘警报 2	7 (0x07)	R/W	0 = DA2 未启用	0 = DA2 未启用 1 = DA2 启用	RecordT	16 bit
温度警报	8 (0x08)	R/W	0 = TA 非活动	0 = TA 未启用 1 = TA 启用	RecordT	16 bit
短路	9 (0x09)	R/W	0 = SC 非活动	0 = SC 未启用 1 = SC 启用	RecordT	16 bit
水滴警报 1	10 (0x10)	R/W	0 = WDA1 未启用	0 = WDA1 未启用 1 = WDA1 启用	RecordT	16 bit
水滴警报 2	11 (0x11)	R/W	0 = WDA2 未启用	0 = WDA2 未启用 1 = WDA2 启用	RecordT	16 bit
应用功能输出 1	12 (0x12)	R/W	0 = AFO1 未启用	0 = AFO1 未启用 1 = AFO1 启用	RecordT	16 bit

7.2.3. SSC 参数

参数名称	十进制 (十六进制) 索引	存取	默认值	数据范围	数据类型	长度
教导选择	58 (0x3A)	RW	1 = SSC1	0 = 未选择通道 1 = SSC1 (开关信号通道 1) 2 = SSC2 (开关信号通道 2)	UIntegerT	8 位
教导结果	59 (0x3B)	-	-	-	RecordT	8 位
教导状态	1 (0x01)	RO	0 = 空闲	0 = 空闲 1 = 成功 4 = 等待命令 5 = 忙碌 7 = 错误	-	-
TP1 (设定值 1) 的 SP1 (示教点 1)	2 (0x02)	RO	0 = 不正常	0 = 不正常 1 = 正常	-	-
TP2 (设定值 2) 的 SP1 (示教点 1)	3 (0x03)	RO	0 = 不正常	0 = 不正常 1 = 正常	-	-
TP1 (设定值 1) 的 SP2 (示教点 2)	4 (0x04)	RO	0 = 不正常	0 = 不正常 1 = 正常	-	-
TP2 (设定值 2) 的 SP2 (示教点 2)	5 (0x05)	RO	0 = 不正常	0 = 不正常 1 = 正常	-	-
SSC1 参数 (开关信号通道)	60 (0x3C)		-	-	-	-
设定值 1 (SP1)	1 (0x01)	R/W	100	0 … 13 500	IntegerT	16 位
设定值 2 (SP2)	2 (0x02)	R/W	13 500	0 … 13 500	IntegerT	16 位
SSC1 配置 (开关信号通道)	61 (0x3D)	-	-	-	-	-
开关逻辑	1 (0x01)	R/W	0 = 高电平有效	0 = 高电平有效 1 = 低电平有效	UIntegerT	8 位
模式	2 (0x02)	R/W	1 = 单点	0 = 已停用 1 = 单点 2 = 窗口 3 = 两点	UIntegerT	8 位
迟滞	3 (0x03)	R/W	25%	5 … 99%	UIntegerT	16 位
SSC2 参数	62 (0x3E)		-	-	-	-
设定值 1 (SP1)	1 (0x01)	R/W	100	0 … 13 500	IntegerT	16 位
设定值 2 (SP2)	2 (0x02)	R/W	13 500	0 … 13 500	IntegerT	16 位
SSC2 配置	63 (0x3F)				UIntegerT	8 位
开关逻辑	1 (0x01)	R/W	0 = 高电平有效	0 = 高电平有效 1 = 低电平有效	UIntegerT	8 位
模式	2 (0x02)	R/W	1 = 单点模式	0 = 已停用 1 = 单点模式 2 = 窗口模式 3 = 两点模式	UIntegerT	8 位
迟滞	3 (0x03)	R/W	25%	5 … 99%	UIntegerT	16 位

7.2.4. 输出参数

参数名称	十进制 (十六进制) 索引	存取	默认值	数据范围	数据类型	长度
通道1设置(SO1)	64 (0x40)					
阶段模式	1 (0x01)	R/W	1 = PNP 输出	0 = 输出停用 1 = PNP 输出 2 = NPN 输出 3 = 推挽输出	UIntegerT	8 位
输入选择器 1	2 (0x02)	R/W	1 = SSC 1	0 = 已停用 1 = SSC 1 2 = SSC 2 3 = 粉尘警报 1 (DA1) 4 = 粉尘警报 2 (DA2) 5 = 温度报警 (TA) 6 = 外部逻辑输入 7 = 应用功能	UIntegerT	8 位
定时器 - 模式	3 (0x03)	R/W	0 = 已禁用定时器	0 = 已禁用定时器 1 = T-on 延迟 2 = T-off 延迟 3 = T-on/T-off 延迟 4 = 单次上升沿 5 = 单次下降沿	UIntegerT	8 位
定时器 - 标度	4 (0x04)	R/W	0 = 毫秒	0 = 毫秒 1 = 秒 2 = 分钟	UIntegerT	8 位
定时器 - 值	5 (0x05)	R/W	0	0 至 32' 767	IntegerT	16 位
逻辑功能	7 (0x07)	R/W	0 = 直连	0 = 直连 1 = AND 2 = OR 3 = XOR 4 = 设定-重置触发器	UIntegerT	8 位
输出取反	8 (0x08)	R/W	0 = 未逆变 (N.O.)	0 = 未逆变 (常开) 1 = 已逆变 (常闭)	UIntegerT	8 位
通道2设置(SO2)	65 (0x41)	-	-	-	-	-
阶段模式	1 (0x01)	R/W	1 = PNP 输出	0 = 输出停用 1 = PNP 输出 2 = NPN 输出 3 = 推挽输出 4 = 数字逻辑输入 (高电平有效/下拉) 5 = 数字逻辑输入 (低电平有效/上拉) 6 = 教导 (高电平有效)	UIntegerT	8 位
输入选择器 2	2 (0x02)	R/W	1 = SSC 1	0 = 已停用 1 = SSC 1 2 = SSC 2 3 = 粉尘警报 1 (DA1) 4 = 粉尘警报 2 (DA2) 5 = 温度报警 (TA) 6 = 外部逻辑输入 7 = 应用功能	UIntegerT	8 位
定时器 - 模式	3 (0x03)	R/W	0 = 已禁用定时器	0 = 已禁用定时器 1 = T-on 延迟 2 = T-off 延迟 3 = T-on/T-off 延迟 4 = 单次上升沿 5 = 单次下降沿	UIntegerT	8 位
定时器 - 标度	4 (0x04)	R/W	0 = 毫秒	0 = 毫秒 1 = 秒 2 = 分钟	UIntegerT	8 位
定时器 - 值	5 (0x05)	R/W	0	0 至 32' 767	IntegerT	16 位
逻辑功能	7 (0x07)	R/W	0 = 直连	0 = 直连 1 = AND 2 = OR 3 = XOR 4 = 设定-重置触发器	UIntegerT	8 位
输出取反	8 (0x08)	R/W	1 = 已逆变 (常闭)	0 = 未取反 (常开) 1 = 已取反 (常闭)	UIntegerT	8 位

7.2.5. 传感器特定可调参数

参数名称	十进制 (十六进制) 索引	存取	默认值	数据范围	数据类型	长度
本地/远程调整的选择	68 (0x44)	RW	1 = 微调电容器输入	0 = 已禁用 1 = 电位计输入 2 = 通过导线示教	UIntegerT	8 位
SP1 微调电容器值	69 (0x45)	RO	70	70 ... 13 500	UIntegerT	16 bit
传感器应用预设	71 (0x47)	R/W	0 = 默认精度	0 = 默认精度 1 = 高精度 2 = 定制 (过滤器定标器)	UIntegerT	8 位
温度警报阈值	72 (0x48)	R/W	-	-	-	-
高阈值	1 (0x01)	R/W	70° C	-30 ... 70° C	IntegerT	16 位
低阈值	2 (0x02)	R/W	- 20° C	-30 ... 70° C	IntegerT	16 位
安全开/关限制	73 (0x49)	-	-	-	-	-
SCC 1 - 安全限制	1 (0x01)	R/W	20%	1 ... 100%	IntegerT	8 位
SCC 2 - 安全限制	2 (0x02)	R/W	20%	1 ... 100%	IntegerT	8 位
过滤器定标器	77 (0x4D)	R/W	1	0 ... 255	UIntegerT	8 位
LED 指示灯	78 (0x4E)	R/W	1 = LED 指示活动	0 = LED 指示不启用 1 = LED 指示启用 2 = 查找传感器	UIntegerT	8 位
磁滞模式	80 (0x50)	R/W	0 = 手动设置磁滞	0 = 手动设置磁滞 1 = 自动设置磁滞	UIntegerT	8 位
SSC1 自动磁滞值	81 (0x51)	-	-	-	-	-
自动磁滞值SP1	1 (0x01)	RO	-	5 ... 99%	UIntegerT	16 位
自动磁滞值SP2	2 (0x02)	RO	-	5 ... 99%	UIntegerT	16 位
互扰保护	84 (0x54)	R/W	0 = Off	0 = Off 1 = 单传感器模式 2 = 双传感器 - 传感器 1 3 = 双传感器 - 传感器 2 4 = 三传感器 - 传感器 1 5 = 三传感器 - 传感器 2 6 = 三传感器 - 传感器 3	UInteger	8 位

7.2.6. 自动调节

参数名称	十进制 (十六进制) 索引	存取	默认值	数据范围	数据类型	长度
自动调节设置	85 (0x54)	-	-	-	-	-
自动调节设置	1 (0x01)	R/W	0 = 自动调节未激活	0 = 自动调节未激活 1 = 自动调节已激活	UIntegerT	8 位
调节窗口大小	2 (0x02)	R/W	20%	5 ... 50%	UIntegerT	8 位
分辨率大小	3 (0x03)	R/W	50%	5 ... 100%	UIntegerT	8 位
已修正设定值	86 (0x56)	-	-	-	-	-
SSC1	4 (0x04)	RO	100	0 ... 13 500	UIntegerT	16 位
SSC2	5 (0x05)	RO	100	0 ... 13 500	UIntegerT	16 位

7.2.7. 应用功能

参数名称	十进制 (十六进制) 索引	存取	默认值	数据范围	数据类型	长度
应用功能选择器	88 (0x58)	RO	0 = 未选中应用功能	0 = 未选中应用功能 1 = 速度和长度 2 = 模式识别 3 = 分配器 4 = 物体和间隙监视	UIntegerT	8 位

7.2.7.1. 速度和长度

8 位	十进制 (十六进制) 索引	存取	默认值	数据范围	数据类型	长度
设置	89 (0x59)	-	-	-	-	-
传感器模式	1 (0x01)	R/W	0 = 未选中角色	0 = 未选中角色 1 = 触发传感器 2 = 主传感器	UIntegerT	8 位
传感器之间的距离	2 (0x02)	R/W	100 mm	25 ... 150 mm	UIntegerT	8 位
结果	90 (0x5A)	-	-	-	-	-
物体速度	1 (0x01)	RO	-	0 ... 2 000 mm/sec	UIntegerT	16 位
物体长度	2 (0x02)	RO	-	25 ... 60 000 mm	UIntegerT	16 位
状态	3 (0x03)	RO	0 = 空闲	0 = 空闲 1 = 测量正在运行 2 = 速度过高 3 = 超时 4 = 物体过长 5 = 逻辑失效	UIntegerT	8 位

7.2.7.2. 模式识别

参数名称	十进制 (十六进制) 索引	存取	默认值	数据范围	数据类型	长度
模式识别设置	91 (0x5B)	-	-	-	-	-
超时	1 (0x01)	R/W	60 sec	1 ... 60 sec	UIntegerT	8 位
容差	2 (0x02)	R/W	50 %	1 ... 200 %	UIntegerT	8 位
传感器角色	3 (0x03)	R/W	0 = 未选中角色	0 = 未选中角色 1 = 触发传感器 2 = 主传感器	UIntegerT	8 位
模式识别结果	92 (0x5C)	-	-	-	-	-
参考模式	1 (0x01)	RO	0 = 未保存	0 = 未保存 1 = 已保存	UIntegerT	8 位
参考模式边缘个数	2 (0x02)	RO	0	0 ... 20	UIntegerT	8 位
上一模式边缘个数	3 (0x03)	RO	0	0 ... 20	UIntegerT	8 位
模式识别状态	4 (0x04)	RO	0 = 空闲	0 = 空闲 1 = 测量正在运行 2 = 模式匹配 3 = 超时 4 = 边缘过多 5 = 边缘计数错误 6 = 边缘定时错误	UIntegerT	8 位

7.2.7.2. 模式识别 (续)

物体时间长度	十进制 (十六进制) 索引	存取	默认值	数据范围	数据类型	长度
观察菜单						
模式识别	97 (0x61)	-	-	-	-	-
时间戳 1 ... 20	1 ... 20 (0x01 ... 14)	R/W	0	每个事件的报时信号 [ms]。 相对开始 (时间 0)	UIntegerT	16 位
模式时间戳 1 ... 20	21 ... 40 (0x15 ... 28)	R/W	0 = 无边缘	0 = 无边缘 1 = 正边缘 2 = 负边缘	UIntegerT	8 位
物体时间长度	41 (0x29)	R/W	0 ms	0 ... 65 535 ms	UIntegerT	16 位
参考模式	42 (0x2A)	R/W	0 = 未保存	0 = 未保存 1 = 已保存	UIntegerT	8 位
参考模式边缘个数	43 (0x2B)	R/W	0	0 ... 20	UIntegerT	8 位

7.2.7.3. 分配器

参数名称	十进制 (十六进制) 索引	存取	默认值	数据范围	数据类型	长度
分配器和计数器设置	93 (0x5D)	-	-	-	-	-
计数器限值	1 (0x01)	R/W	5	1 ... 65 535	UIntegerT	16 位
预设计数器值	2 (0x02)	R/W	0	0 ... 65 535	UIntegerT	16 位
结果	94 (0x5E)	-	-	-	-	-
计数器值	1 (0x01)	RO	-	0 ... 65 535	UIntegerT	16 位

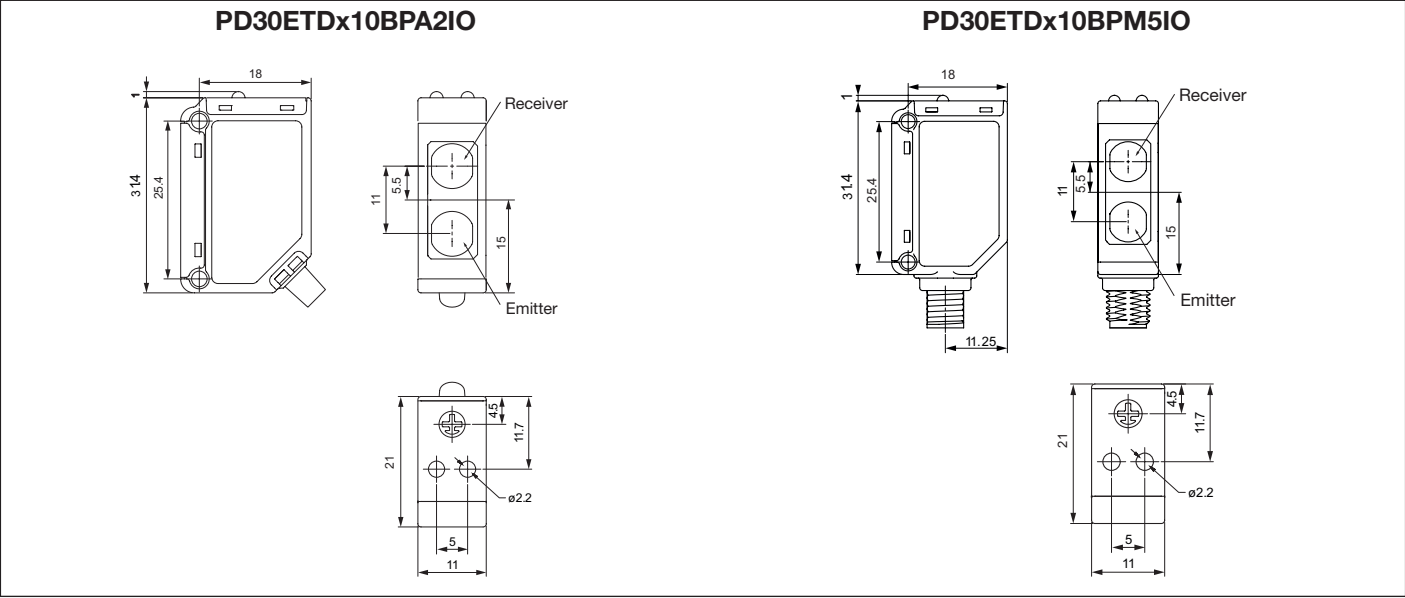
7.2.7.4. 物体和间隙监视

参数名称	十进制 (十六进制) 索引	存取	默认值	数据范围	数据类型	长度
物体和间隙监视设置	95 (0x5F)	-	-	-	-	-
物体最小时间	1 (0x01)	R/W	500 ms	10 ... 60 000 ms	UIntegerT	16 位
物体最大时间	2 (0x02)	R/W	10 000 ms	10 ... 60 000 ms	UIntegerT	16 位
间隙最小时间	3 (0x03)	R/W	500 ms	10 ... 60 000 ms	UIntegerT	16 位
间隙最大时间	4 (0x04)	R/W	10 000 ms	10 ... 60 000 ms	UIntegerT	16 位
物体和间隙监视结果	96 (0x60)	-	-	-	-	-
物体时间	1 (0x01)	RO	0 ms	0 ... 60 000 ms	UIntegerT	16 位
间隙时间	2 (0x02)	RO	0 ms	0 ... 60 000 ms	UIntegerT	16 位
物体状态	3 (0x03)	RO	0 = 空闲	0 = 空闲 1 = 测量正在运行 2 = 内部限制 3 = 时间过长 4 = 时间过短	UIntegerT	8 位
间隙状态	4 (0x04)	RO	0 = 空闲	0 = 空闲 1 = 测量正在运行 2 = 内部限制 3 = 时间过长 4 = 时间过短	UIntegerT	8 位

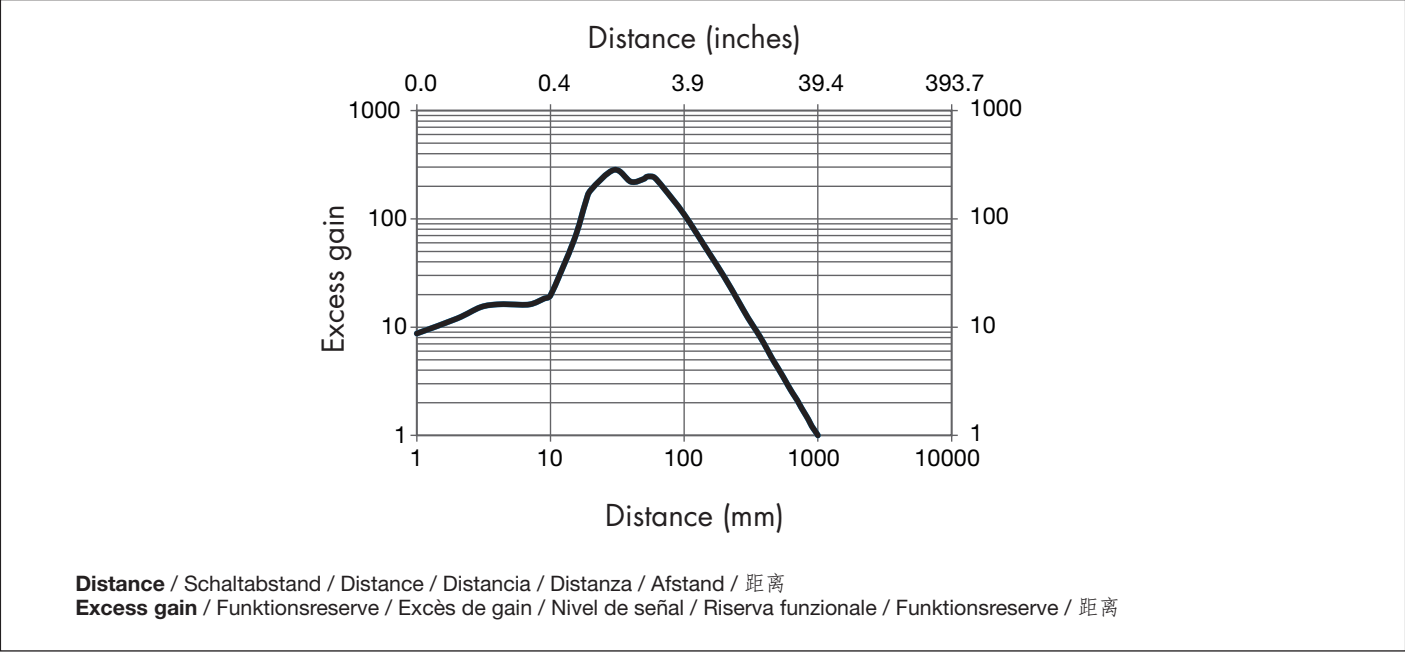
7.2.8. 诊断参数

参数名称	十进制 (十六进制) 索引	存取	默认值	数据范围	数据类型	长度
传感器诊断						
前端故障	209 (0xD1)	RO	0 = 正常	0 = 正常。 1 = 失败。	IntegerT	8 位
EE_MemoryFailure (开机期间)	208 (0xD0)	-	-	-	-	-
内存故障	1 (0x01)	RO	0 = 正常	0 = 正常。 1 = 失败。	IntegerT	8 位
温度诊断						
最高温度- 始终高温	203 (0xCB)	RO	- ° C	-50 至 150 [° C]	IntegerT	16 位
最低温度- 始终低温	204 (0xCC)	RO	- ° C	-50 至 150 [° C]	IntegerT	16 位
自通电以来的最高温度	205 (0xCD)	RO	- ° C	-50 至 150 [° C]	IntegerT	16 位
自通电以来的最低温度	206 (0xCE)	RO	- ° C	-50 至 150 [° C]	IntegerT	16 位
当前温度	207 (0xCF)	RO	- ° C	-50 至 150 [° C]	IntegerT	16 位
高于最高温度的分钟数	211 (0xD3)	RO	0 min	0 … 2 147 483 647 [min]	IntegerT	32 位
低于最低温度的分钟数	212 (0xD4)	RO	0 min	0 … 2 147 483 647 [min]	IntegerT	32 位
运行诊断						
运行小时数	201 (0xC9)	RO	0 h	0 … 2 147 483 647 [h]	IntegerT	32 位
上电次数	202 (0xCA)	RO	0	0 … 2 147 483 647	IntegerT	32 位
检测计数器 SSC1	210 (0xD2)	RO	0	0 … 2 147 483 647	IntegerT	32 位
维护事件计数器	213 (0xD5)	RO	0	0 … 2 147 483 647	IntegerT	32 位
下载计数器	214 (0xD6)	RO	0	0 … 65 536	UIntegerT	16 位
教导质量	75 (0x4B)	RO	-	0 … 255	UIntegerT	8 位
运行质量	76 (0x4C)	RO	-	0 … 255	UIntegerT	8 位
过量增益	83 (0x53)	RO	-	1 … 255%	UIntegerT	8 位
错误计数	32 (0x20)	RO	0	0 … 65 535	UIntegerT	16 位
设备状态	36 (0x24)	RO	0 = 设备正常工作	0 = 设备正常工作 1 = 需要维护 2 = 超出规格 3 = 功能检查 4 = 故障	UIntegerT	8 位
详细设备状态	37 (0x25)	-	-	-	-	3 字节
温度错误	-	RO	-	-	OctetStringT	3 字节
温度超载运行	-	RO	-	-	OctetStringT	3 字节
温度欠载运行	-	RO	-	-	OctetStringT	3 字节
短路	-	RO	-	-	OctetStringT	3 字节
需要维护	-	RO	-	-	OctetStringT	3 字节
事件配置						
事件配置	74 (0x4A)	-	-	-	-	-
维护事件 (0x8C30)	1 (0x01)	R/W	0 = 维护事件未启用	0 = 维护事件未启用 1 = 维护事件启用	RecordT	16 位
温度异常事件 (0x4000)	2 (0x02)	R/W	0 = 温度异常事件不启用	0 = 温度异常事件不启用 1 = 温度异常事件启用	RecordT	16 位
温度过载运行 (0x4210)	3 (0x03)	R/W	0 = 温度过载运行不启用	0 = 温度过载运行不启用 1 = Temperature over-run event Active	RecordT	16 位
温度欠载运行 (0x4220)	4 (0x04)	R/W	0 = 温度欠载运行不启用	0 = 温度欠载运行不启用 1 = 温度欠载运行启用	RecordT	16 位
短路 (0x7710)	5 (0x05)	R/W	0 = 短路不启用	0 = 短路不启用 1 = 短路启用	RecordT	16 位

Dimensions Abmessungen Dimensions Dimensiones Dimensioni Dimensioner 尺寸图



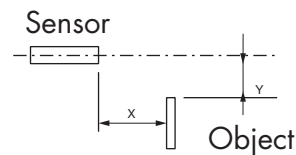
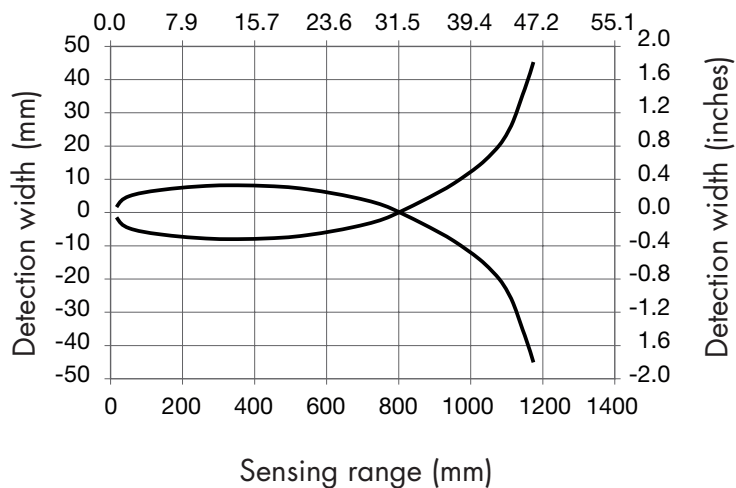
Excess gain Funktionsreserve Excès de gain Nivel de señal
 Riserva funzionale Funktionsreserve 过量增益



Detection diagram Erkennungsdiagramm Diagramme de détection Diagrama de detección
Diagramma di rilevamento Aftastningsdiagramm 检测图

PD30ETDx10BPxxIO

Sensing range (inches)



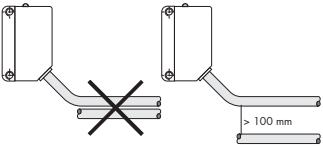
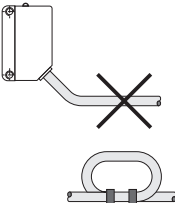
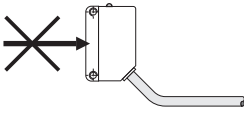
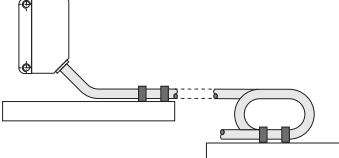
Sensing range / Schaltabstand / Plage de détection / Rango de detección / Campo di rilevamento / Tasteafstand / 感应范围

Detection width / Detektionsbreite / Largeur de détection / Anchura de detección / Ampiezza di rilevamento / Detekteringsbredde / 检测宽度

Sensor / Sensor / Capteur / Sensor / Sensore / Sensor / 传感器

Object / Objekt / Objet / Objeto / Oggetto / Emne / 对象

Installation Hints Installationshinweise Conseils d'Installation Normas de Instalación
Consigli per l'Installazione Installationsråd og -vink 安装提示

			
<p>ENGLISH</p>	<p><i>Relief of cable strain</i></p> <p>The cable should not be pulled</p>	<p><i>Protection of the sensing face</i></p> <p>A proximity switch should not serve as mechanical stop</p>	<p><i>Switch mounted on mobile carrier</i></p> <p>Any repetitive flexing of the cable should be avoided</p>
<p>DEUTSCH</p>	<p><i>Schutz vor Überdehnung des Kabels</i></p> <p>Nicht am Kabel ziehen</p>	<p><i>Schutz der Sensorfläche des Schalters</i></p> <p>Näherungsschalter nicht als mechanischen Anschlag verwenden</p>	<p><i>Mobiler Näherungsschalter</i></p> <p>Wiederholtes Biegen des Kabels vermeiden</p>
<p>FRANÇAIS</p>	<p><i>Tension des câbles</i></p> <p>Eviter toute contrainte en traction du câble</p>	<p><i>Protection de la face de détection du détecteur</i></p> <p>Ne jamais utiliser un détecteur de proximité en tant que butée mécanique</p>	<p><i>Détecteur monté sur support mobile</i></p> <p>Eviter toute répétition de courbure dans le cheminement du câble</p>
<p>ESPAÑOL</p>	<p><i>Alivio de la tensión del cable</i></p> <p>No se debe tirar del cable</p>	<p><i>Protección de la cara de detección</i></p> <p>Un sensor de proximidad nunca debe funcionar como tope mecánico</p>	<p><i>Conector montado sobre portadora móvil</i></p> <p>Evitar doblar el cable repetidas veces</p>
<p>ITALIANO</p>	<p><i>Posizione del cavo</i></p> <p>Il cavo non deve essere teso</p>	<p><i>Protezione della parte sensibile del sensore</i></p> <p>I sensori di prossimità non devono essere usati per bloccaggi meccanici</p>	<p><i>Sensore installato su pedana mobile</i></p> <p>Evitare qualsiasi flessione ripetuta del cavo</p>
<p>DANSK</p>	<p><i>Aflastning af kabel</i></p> <p>Der bør ikke trækkes i kablet</p>	<p><i>Beskyttelse af følerens tasteflade</i></p> <p>En aftaster bør ikke anvendes som mekanisk stop</p>	<p><i>Aftaster monteret på bevægeligt underlag</i></p> <p>Gentagne bøjninger af kablet bør undgås</p>
<p>中國</p>	<p>线缆应力消除</p> <p>不能拉动线缆</p>	<p>感应面保护</p> <p>接近开关不能用作机械式止动装置</p>	<p>安装在移动载体上的开关</p> <p>避免反复弯曲线缆</p>

CARLO GAVAZZI
www.gavazziautomation.com



Certified in accordance with ISO 9001
Gerätehersteller mit dem ISO 9001/EN 29 001 Zertifikat
Une société qualifiée selon ISO 9001
Empresa que cumple con ISO 9001
Certificato in conformità con l'ISO 9001
Kvalificeret i overensstemmelse med ISO 9001
按照认证 ISO 9001